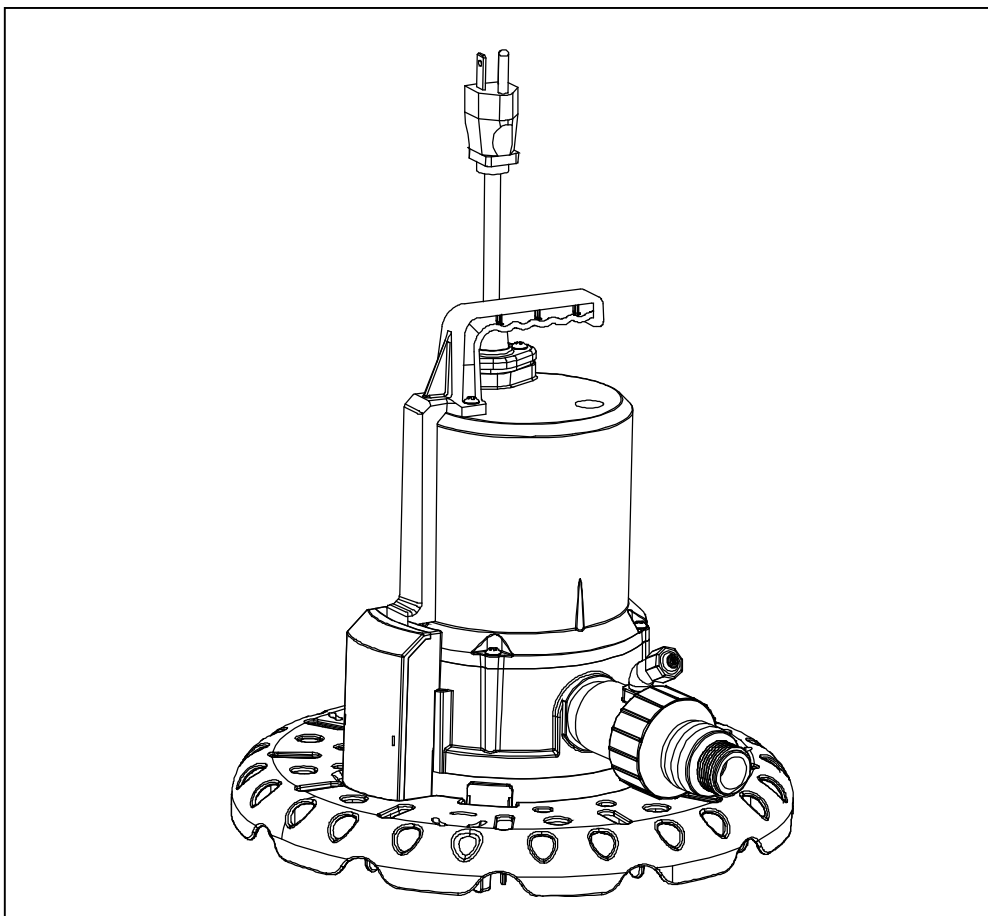




Model: UTA02502APK

# OWNER'S MANUAL

## Automatic Pool Cover Pump



Questions, problems, missing parts? Before returning to the store call  
K2 Customer Service 8 a.m. - 6 p.m., EST, Monday-Friday  
**1-844-242-2475**

[www.K2pumps.com](http://www.K2pumps.com)

# PERFORMANCE

Model	HP	GPH of Water @ Total Feet Of Lift						Max. Lift
		0 ft.	5 ft.	10 ft.	15 ft.	20 ft.	25 ft.	
UTA02502APK	1/4	1800	1550	1320	1080	780	360	28 ft.

# SAFETY INSTRUCTIONS

1. Do not pump flammable or explosive liquids such as oil, gasoline, kerosene, ethanol, etc. Do not use in the presence of flammable or explosive vapors. Using this pump with or near flammable liquids can cause an explosion or fire, resulting in property damage, serious personal injury, and/or death.
2. ALWAYS disconnect the power to the pump before servicing.
3. Do not touch the motor housing during operation. The motor is designed to operate at high temperatures. Do not disassemble the motor housing.
4. Do not handle the pump or pump motor with wet hands or when standing on a wet or damp surface, or in water before disconnect the power.
5. Release all pressure and drain all water from the system before servicing any component.
6. Secure the discharge line before starting the pump. An unsecured discharge line will whip, possibly causing personal injury, and/or property damage.
7. Extension cords may not deliver sufficient voltage to the pump motor. Extension cords present a life threatening safety hazard if the insulation becomes damaged or the connection ends fall into water. The use of an extension cord to power this pump is not permitted.
8. Wear safety goggles at all times when working with pumps.
9. This unit is designed only for use on 115 volts (single phase), 60 Hz, and is equipped with an approved 3-conductor cord and 3-prong grounded plug. Do not remove the ground pin under any circumstances. The 3-prong plug must be directly inserted into a properly installed and grounded 3-prong, grounding-type receptacle. Do not use this pump with a 2-prong wall outlet. Replace the 2-prong outlet with a properly grounded 3-prong receptacle (a GFCI outlet) installed in accordance with the National Electrical Code and local codes and ordinances. All wiring should be performed by a qualified electrician.
10. Protect the electrical cord from sharp objects, hot surfaces, oil, and chemicals. Avoid kinking the cord. Do not use damaged or worn cords.
11. Failure to comply with the instruction and designed operation of this unit may void the warranty. ATTEMPTING TO USE ADAMAGED PUMP can result in property damage, serious personal injury, and/or death.
12. Ensure that the electrical circuit to the pump is protected by a 10 Amp fuse or circuit breaker.
13. Do not lift the pump by the power cord.
14. Know the pump and its applications, limitations, and potential hazards.
15. Secure the pump to a solid base. This will aid in keeping the pump in a vertical orientation. This is critical in keeping the pump operating at maximum efficiency. It will also help prevent the pump from clogging resulting in premature failure.
16. Periodically inspect the pump and system components to ensure the pump suction screen is free of mud, sand, and debris. Disconnect the pump from the power supply before inspecting.
17. Follow all local electrical and safety codes, along with the National Electrical Code (NEC). In addition, all Occupational Safety and Health Administration (OSHA) guidelines must be followed.
18. The motor of this pump has a thermal protector that will trip if the motor becomes too hot. The protector will reset itself once the motor cools down and an acceptable temperature has been reached. The pump may start unexpectedly if it is plugged in.

19. Ensure the electrical power source is adequate for the requirements of the pump.
20. Before using the pump, check the hose for holes or excess wear, which could cause leaks, and ensure the hose is not kinked or making sharp angles. A straight hose allows the pump to move the greatest amount of water quickly, and also check that all hose connections are tight to minimize leaks.
21. This pump is made of high-strength, corrosion-resistant materials. It will provide trouble-free service for a long time when properly installed, maintained, and used. However, inadequate electrical power to the pump, dirt, or debris may cause the pump to fail. Please carefully read the manual and follow the instructions regarding common pump problems and remedies.
22. This pump is fully automatic in operation. If the water level is over 2 in., the water detector senses water. Then the control system built in the pump automatically starts the pump and the pump continues to run until water is pumped down to 3/4 in. deep, and then it stops. If the water level is not over 2 in., the pump will not start.
23. Electric shock hazard! GFCI receptacles will provide protection against line to ground faults only. The ground fault receptacle does NOT limit the magnitude of fault current and will NOT prevent an electrical shock. Replace damaged cord immediately.
24. Risk of electric shock. This pump has NOT been tested for use in marine areas. NEVER place pump in pools while people are in the water. Do NOT handle pump with wet hands or when standing in water or on a damp surface. Pump is designed to be used in closed and covered pools only. Water accumulated on pool cover can cause injury or death. Proper installation of pool cover pump and periodic maintenance is recommended. Failure to follow COULD result in death or serious injury.
25. The unit MUST be plugged into a properly grounded GFCI outlet. Consult with a qualified electrician for proper installation of a GFCI OUTLET.
26. Do not move, position, retrieve, or carry pump using the power cord or the discharge hose, damage to the pump or power cord may occur. Use the handle supplied on the pump or attach a string to the strainer to position as instructed.

## PRE-INSTALLATION

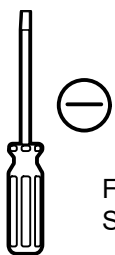
### APPLICATION

This portable, auto On-Off Pool Cover pump is designed for automatic removal of water, from a pool or spa cover. The unit is equipped with a 25 ft. 3-prong grounding type power cord. The provided discharge check valve prevents short cycling and it's 3/4" adapter can be used for convenient attachment to a standard garden hose.

#### Features:

- Operating water depth: minimum 2 in.

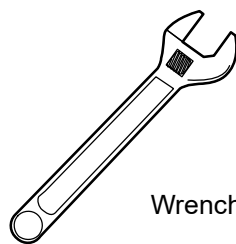
### TOOLS REQUIRED



Flathead  
Screwdriver



Phillips  
Screwdriver



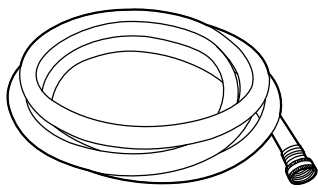
Wrench



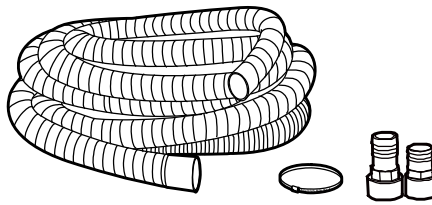
Safety  
Goggles

## MATERIALS REQUIRED (NOT INCLUDED)

**NOTE:** The hose and hose kit are not shown to scale.

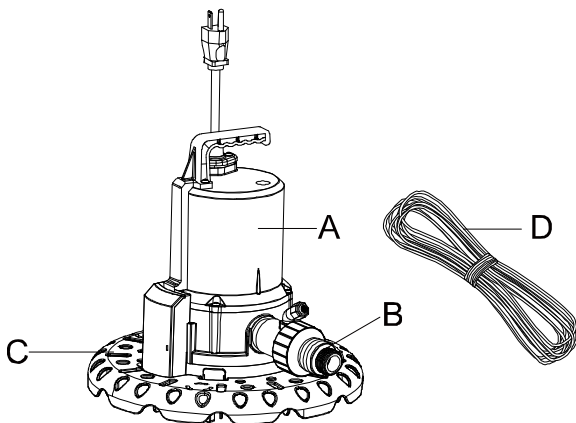


Garden Hose



Sump Pump Discharge hose kit

## PACKAGE CONTENTS



Part	Description
A	Pump
B	3/4 in. Check valve
C	Debris strainer
D	25' Rope

## SPECIFICATIONS

Power supply	115V, 60 HZ., 10 Amp Circuit
Liquid Temp. Range	32°F to 95°F(0°-35°C)
Discharge	1-1/4 in.Female NPT or 3/4 in. garden hose thread

## INSTALLATION

**DANGER:** Do NOT use pump if any part of the housing switch or probe is cracked, broken, or missing.

**DANGER:** Always unplug the pump before attempting to install, service, relocate, or perform any maintenance.

**DANGER:** Extension cords may not deliver sufficient voltage to the pump motor. Extension cords present a life threatening safety hazard if the insulation becomes damaged or the connection ends fall into water. The use of an extension cord to power this pump is not permitted.

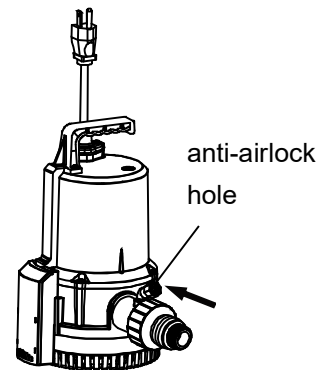
**WARNING:** This unit is NOT designed for use as a sump pump or in sump applications. This unit is NOT designed for use in septic tanks or underground vaults to pump raw sewage or effluents. NEVER use in hazardous or explosive locations

**CAUTION:** Always use the handle to lift the pump. Never use the power cord to lift the pump. To avoid skin burns, unplug the pump and allow time for it to cool after periods of extended use.

## 1. Connecting a check valve

- Install the check valve to the pump outlet

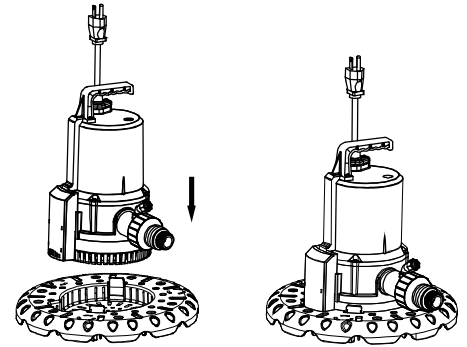
**NOTE:** Be sure anti-airlock hole is pointing upward.



## 2. Connecting a debris strainer

- Install the “snap-on” debris strainer. Begin by lining up the pump base profile with the profile of the strainer base using the switch housing as a guide. Tilt the pump back and guide the rear of the pump (opposite the discharge) into the strainer base. Once the rear of the pump is in place, gently rotate the pump down until the latch engages.
- To remove debris strainer release latch and guide pump out of strainer in the reverse motion of installation

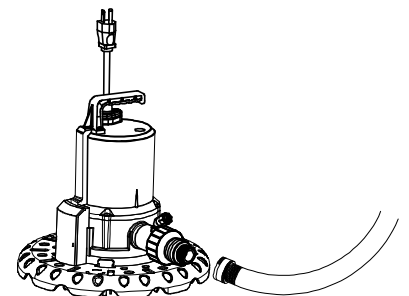
**NOTE:** Always use debris strainer when placing pump on a pool cover. The strainer helps protect the pool cover from damage, filters debris, and increases pump stability.



## 3. Connecting a 3/4 in. garden hose or 1-1/4 in. hose kit

**NOTE:** Be sure the 3/4 in. garden hose thread connector has a rubber gasket to minimize water leaks.

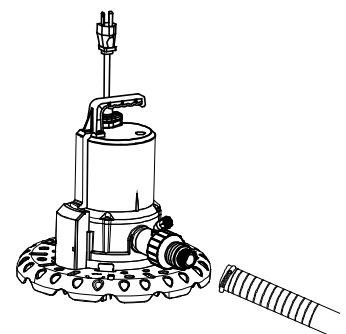
- Attach a garden hose with a 3/4 in. garden hose thread (not included) to the check valve.



If you would prefer to use a 1-1/4 in. hose kit (not included) in order to pump water away more quickly.

**WARNING:** Secure the discharge hose before plugging in the pump. An unsecured discharge hose may “whip” possibly causing personal injury, and/or property damage.

- Securely attach the hose kit (not included) to the check valve.



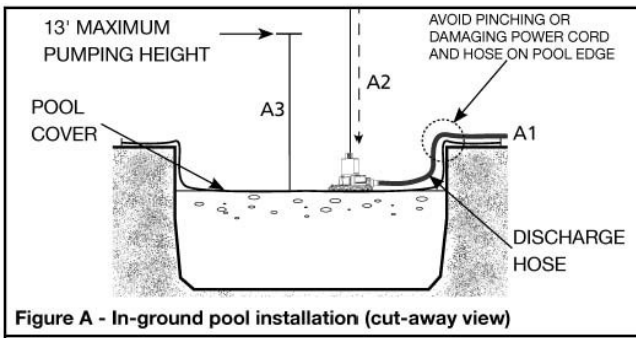
## 4. Setting the pump on the pool cover

- With pump unplugged set the pump on the pool cover, where water will collect. Do not set the pump directly on mud, sand surfaces or in leaves.

**NOTE:** For best results make sure the pump strainer is making full contact with a clean area of the pool cover. This will allow the strainer to properly filter debris and help prevent clogging of the pump. If necessary clear an area of the pool cover before placing the pump.

**NOTE:** Do not place the pump on a weak, damaged, or leaking pool cover. Placing the pump on a damaged pool cover could cause the cover to give way, or could allow the pump to remove treated swimming water from the pool in addition to rainwater.

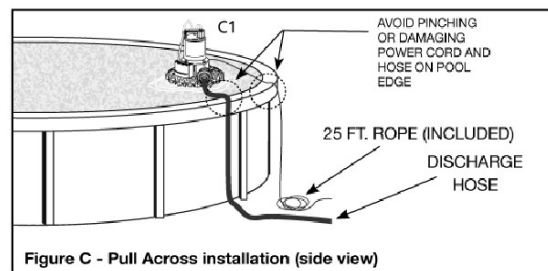
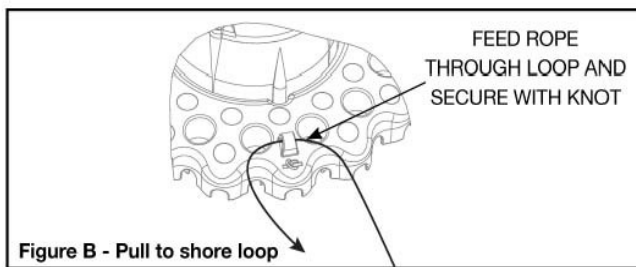
## Drop-in pump application



- A1. Place hose end away from pool, where water will be displaced.
- A2. Attached provided 25ft. rope to handle of pump, and lower pump onto pool cover where water will collect.
- A3. Do not exceed the 13ft. maximum pumping height for this pump or switch may not function properly. Plug in pump to allow for automatic operation.
- For removal unplug pump and retrieve using rope.

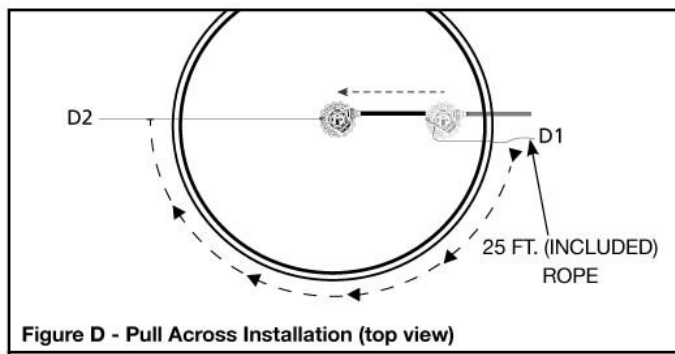
## Pull across pump installation

To aid in pump placement on pool cover, secure provided 25 ft. rope to the pull to shore loop( Figure B).



C1. Connect provided 25ft. rope to pull to shore loop (Figure B).

C2. Place pump on pool cover near edge of pool (Figure C). If flotation device is used, place pump at the lowest point on the pool cover where water will collect.

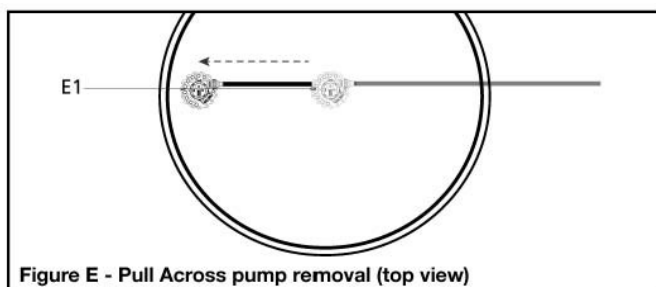


D1. Holding the provided 25 ft. rope, walk around pool until you are even with the pump on the opposite side.

D2. Pull the 25 ft. rope towards you until the pump is in the center of the pool cover where water will collect. Secure rope for easy removal (Figure E) when weather permits.

**Note:** Always use debris strainer when placing pump on a pool cover. The strainer helps protect the pool cover from damage, filters debris, and increases pump stability.

## Pull across- pump removal



E1. Disconnect power to pump. Using the included 25ft. rope, safely pull pump to edge of pool, disconnect discharge hose and remove.

# OPERATION

**NOTE:** For best pump performance, unwind the hose before starting the pump. This will help remove any kinks or binds in the hose and allow the unit to pump with less restriction.

1. The water level must be at least 2" for the pump to cycle, prime, and operate. Water levels less than 2" will not allow the impeller to contact water therefore no water will be pumped.
2. Plug the pump into a properly grounded 115 volt GFCI protected outlet. The pump will start automatically when the water reaches a depth of 2". A priming delay of 2 seconds is programmed into the control to allow time for air to escape from the pumping chamber.

**CAUTION:** Use caution when positioning the pump not to damage the power cord by dragging across the edge of the pool. Also take into consideration the placement of the discharge hose and power cord after installation. Make sure no sharp edge can damage the power cord or discharge hose causing unsafe conditions.

3. The pump will stop automatically once water has been removed to a depth of approximately 3/4". The pump will NOT restart until the water depth rises to 2" or greater.
4. The pump will NOT allow itself to run dry. Once the pump detects that water is no longer being removed, it will shut down automatically. The pump must remain upright at all times in order for the water detection to function. Do NOT allow the pump to operate on its side or inverted. The shaft seal depends on water for lubrication, allowing the pump to remain in any other orientation than upright could cause shaft seal failure or pump failure.

**NOTE:** Do NOT alter the pump to override the automatic water detector. The shaft seal depends on water for lubrication. Overriding this pump feature CAN cause the pump to run dry and MAY damage the shaft seal and cause pump failure.

# CARE AND CLEANING

**WARNING:** Pump starts automatically. Always disconnect electric supply before attempting to install, service, relocate, or perform any maintenance.

**CAUTION:** Always use the handle to lift the pump. Never use the power cord to lift the pump. To avoid skin burns, unplug the pump and allow time for it to cool after periods of extended use.

## Do

- When the power is disconnected, inspect the pump inlets and remove all debris, then plug the pump back into the grounded (GFCI) outlet.

## Do Not

- Disassemble the motor housing. This motor has NO repairable internal parts, and disassembly may cause leakage or dangerous electrical wiring issues.
- Lift up the pump by the power cord.

Minimal service is required for this pump. The motor housing of the pump is completely sealed and requires no service. If pump should fail to operate, perform the following troubleshooting guidelines:

1. Verify pumping height does NOT exceed 15'. If pumping height is greater than 15', this pump's automatic feature will not operate correctly.
2. Verify water depth is 2" or greater.
3. To verify pump is operating correctly.
  - a. Disconnect pump from power source.
  - b. Connect check valve and discharge hose to pump.
  - c. Immerse pump in a bucket or tub of water at least 2" in depth.
  - d. Place the other end of the discharge hose outside the bucket, so the water will pump out.
  - e. Plug power cord into a grounded 115 volt GFCI power outlet. The pump should start after 2 seconds of detecting water. Once the pump removes the water to a depth of 3/4", the pump will stop automatically.

4. To verify discharge hose is free from a blockage.
  - a. Connect hose to another water source such as a faucet. If water flows through hose, return to step 3a. If water is restricted, verify discharge hose is unwound and remove all kinks, bends, or obstructions in hose.
5. If pump runs continuously, unplug the unit. Once unplugged, remove the strainer and check for debris stuck inside the sensor body. Remove any trapped leaves, debris or dirt.
6. When temperatures drop below freezing remove pump from service and store indoors to protect pump from damage due to ice. The pump has a unique protection circuit to protect the motor from a locked impeller condition possibly caused by debris buildup or from a “frozen” impeller situation caused by ice formation. When the pump is activated and a locked impeller condition is detected the unit will automatically shut down to protect the motor from overheating. Once the pump is able to operate correctly the pump will resume normal operation.

**DANGER: Do not use pump if any part of the switch housing or probe is cracked, broken or missing.**

## PUMPING HEIGHT

When water is pumped to an elevated position, any volume that has not reached the discharge outlet can flow back through the pump when the pump shuts off. This back-flow can cause the water level in small areas to rise enough to re-start the pump. The check valve included is required in this situation. For proper operation, make certain the check valve is oriented as instructed on check valve body.

# TROUBLESHOOTING

**DANGER: Electrocutation Hazard! Pump starts automatically. Disconnect the power before attempting any repairs. Failure to follow WILL result in serious injury or death.**

Problem	Possible Cause	Corrective Action
Pump will not start or run	<ol style="list-style-type: none"> <li>1. Tripped home electrical breaker</li> <li>2. GFCI tripped</li> <li>3. Low line voltage</li> <li>4. Defective motor</li> <li>5. Dirty switch</li> <li>6. Impeller obstructed</li> <li>7. Inlet screen or strainer clogged</li> <li>8. Priming hole plugged</li> </ol>	<ol style="list-style-type: none"> <li>1. Reset breaker</li> <li>2. Check for damaged wiring or moisture</li> <li>3. Contact electrician</li> <li>4. Replace pump</li> <li>5. Rinse out switch with clean water</li> <li>6. Remove strainer, base, and impeller plate check for debris; clean</li> <li>7. Clean inlet screen and debris strainer)</li> <li>8. Clean hole, inside volute housing, with a pin or paper clip</li> </ol>
Pump starts and stops too often	<ol style="list-style-type: none"> <li>1. Backflow of water from piping</li> <li>2. Dirty switch</li> <li>3. Priming hole plugged</li> <li>4. Pump is sitting uneven on pool or spar cover</li> </ol>	<ol style="list-style-type: none"> <li>1. Install or replace check valve</li> <li>2. Rinse out switch with clean water</li> <li>3. Clean hole, inside volute housing, with a pin or paper clip</li> <li>4. Reposition pump so pump sits level on cover</li> </ol>
Pump will not shut off or runs continuously	<ol style="list-style-type: none"> <li>1. Debris in switch</li> <li>2. Discharge height exceeds capability</li> </ol>	<ol style="list-style-type: none"> <li>1. Rinse out switch with clean water</li> <li>2. Reduce discharge height</li> </ol>
Pump operates but delivers little or no water	<ol style="list-style-type: none"> <li>1. Impeller obstructed</li> <li>2. Priming hole plugged</li> <li>3. Obstructed hose</li> <li>4. Discharge height exceeds capability</li> <li>5. Strainer clogged</li> </ol>	<ol style="list-style-type: none"> <li>1. Remove strainer, base, and impeller plate, check for debris; clean</li> <li>2. Clean hole, inside volute housing, with a pin or paper clip</li> <li>3. Check for kinks, reposition hose or check for debris</li> <li>4. Reduce discharge height</li> <li>5. Unplug pump. Remove strainer and rinse with clean water to remove debris.</li> </ol>



# WARRANTY

## K2 Pumps Limited Warranty

### WHAT THIS WARRANTY COVERS

This Limited Warranty is effective September 1, 2020 and replaces all undated warranties dated prior to September 1, 2020.

K2 Pumps (K2) warrants to the original consumer purchaser (You) that its products are free from original defects in material and workmanship for at least one year (warranty varies depending on model; see box or K2 website for specific warranty information) from the date of purchase (the Warranty Period). Repair Parts and Accessories are warranted for 90 days from the date of purchase. During the Warranty Period, K2 will repair or replace, at no cost to you, products that have been examined by K2 and found to be defective in materials or workmanship.

***Do not return product to the retail store.***

***For technical support and parts, call K2 Customer Service at 844-242-2475.***

### WHAT THIS WARRANTY DOES NOT COVER

This Warranty does not cover use of the product in a non-residential application, improper installation and/or maintenance of the product, damage due to misuse, acts of God, nature, vandalism or other acts beyond control of K2, owner's acts or omissions, use outside the country in which the product was initially purchased and resale of the product by the original owner. This warranty does not cover pick up, delivery, transportation or house calls. However, if you mail your product to a K2 Sales and Service Center for warranty service, cost of shipping will be paid one way. This warranty does not apply to products purchased outside of the United States, including its territories and possessions, outside of U.S. Military Exchange and outside of Canada. This warranty does not cover products purchased from a party that is not an authorized retailer, dealer or distributor of K2 products.

### OTHER IMPORTANT TERMS

This warranty is not transferable and may not be assigned. This Warranty shall be governed and construed under laws of the state of Michigan. The Warranty Period will not be extended by any replacement or repair performed under this Warranty. THIS WARRANTY IS THE EXCLUSIVE WARRANTY AND REMEDY PROVIDED BY K2. ALL OTHER WARRANTIES, EXPRESSED OR IMPLIED, INCLUDING WARRANTIES OR MERCHANTABILITY OR FITNESS FOR PARTICULAR PURPOSE, ARE DISCLAIMED. IN NO EVENT WILL K2 BE LIABLE FOR ANY SPECIAL, INDIRECT, INCIDENTAL OR CONSEQUENTIAL DAMAGES OF ANY KIND OR NATURE TO OWNER OR ANY PARTY CLAIMING THROUGH OWNER WHETHER BASED IN CONTRACT, NEGLIGENCE, TORT, OR STRICT PRODUCTS LIABILITY OR ARISING FROM ANY CAUSE WHATSOEVER. Some states do not allow for the exclusion of consequential damages, so the above exclusion may not apply to you. This warranty gives you specific rights. You may also have other rights that vary from state to state.

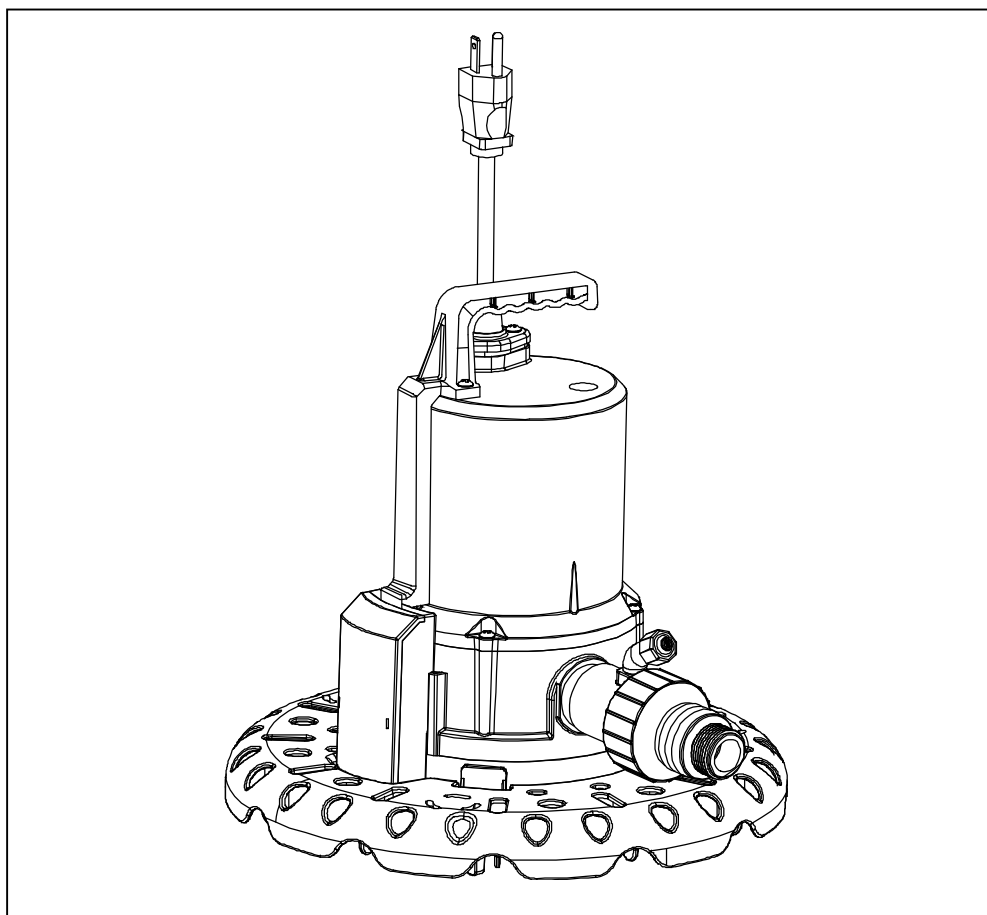
**GP Enterprises Co., Ltd. 1436 Brook Drive, Downers Grove, IL 60515**

**Phone: 844-242-2475 / Web: [www.K2Pumps.com](http://www.K2Pumps.com)**



# NOTICE D'UTILISATION

Pompe pour bâche de piscine automatique



Questions, problèmes, pièces manquantes ? Avant de retourner au magasin, appelezle Service à la clientèle K2 du lundi au vendredi, de 8 h à 18 h, heure normale de l'Est

**1-844-242-2475**

[www.K2pumps.com](http://www.K2pumps.com)

## PERFORMANCE

Modèle	HP	Débit d'eau en gal/h selon la hauteur d'aspiration						Hauteur maximale
		0 pi.	5 pi.	10 pi.	15 pi.	20 pi.	25 pi.	28 pi.
UTA02502APK	1/4	1800	1550	1320	1080	780	360	

## Consignes de sécurité

1. Ne pas pomper de liquides inflammables ou explosifs comme de l'huile, de l'essence, du kérosène, de l'éthanol, etc. Ne pas utiliser dans des lieux qui contiennent des vapeurs inflammables ou explosives. Le fonctionnement de cette pompe avec ou près de liquides inflammables peut provoquer une explosion ou un incendie, entraînant des dommages matériels, des blessures graves ou même la mort.
2. TOUJOURS débrancher la pompe avant de procéder à l'entretien.
3. Ne pas toucher le boîtier du moteur lorsqu'il fonctionne. Le moteur est conçu pour fonctionner à des températures élevées. Ne pas démonter le boîtier du moteur.
4. Ne pas manipuler la pompe ni le moteur de la pompe lorsque vous avez les mains mouillées ou les pieds dans l'eau ou dans un endroit humide ou détrempe sans couper l'alimentation électrique.
5. Relâcher toute la pression restante et vider toute l'eau de l'appareil avant de procéder à l'entretien de la pompe.
6. Raccorder le conduit de vidange avant de démarrer la pompe. Un conduit de vidange non arrimé peut se libérer, et entraîner des blessures corporelles et / ou des dommages matériels.
7. Les rallonges électriques n'achèment pas toujours une tension suffisante au moteur de la pompe. Les rallonges électriques présentent un risque très grave pour la vie et la sécurité si l'isolant devient effiloché ou si l'extrémité devient mouillée. Il est interdit d'utiliser une rallonge électrique pour faire fonctionner cette pompe.
8. Toujours porter des lunettes de sécurité lorsque vous travaillez avec une pompe.
9. Cet appareil est conçu uniquement pour un courant de 115 V (monophasé, 60 Hz), et muni d'un cordon d'alimentation approuvé de 3 conducteurs avec mise à la terre. Ne pas retirer en aucun cas la broche de mise à la terre. La fiche à 3 broches doit être directement insérée dans une prise à trois trous de type mise à la terre. Ne pas brancher cette pompe sur une prise à 2 trous. Remplacer la prise à 2 trous par un disjoncteur de fuite à la terre (GFCI) installé conformément aux normes et règlements locaux. Tous les travaux électriques doivent être effectués par un électricien agréé.
10. Protéger le cordon d'alimentation de tout contact avec des objets tranchants, des surfaces chaudes, de l'huile ou des produits chimiques. Évitez le tortillement du cordon. Ne pas utiliser un cordon d'alimentation endommagé ou usé.
11. Le non-respect des consignes relatives au fonctionnement de cet appareil peut être cause d'annulation de la garantie. L'UTILISATION D'UNE POMPE ENDOMMAGÉE peut entraîner des dommages matériels, des blessures graves ou même la mort.
12. Protéger le circuit électrique de la pompe par un fusible de 10 ampères ou par un disjoncteur électrique.
13. Ne pas utiliser le cordon d'alimentation pour soulever la pompe.
14. Bien connaître les différentes utilisations de la pompe, ses limites et les risques d'utilisation potentiels.
15. Placer la pompe sur une surface plane afin de la maintenir dans une position verticale. C'est essentiel pour assurer l'efficacité maximale de la pompe. Cela empêche également que des débris ne l'obstruent entraînant une panne prématurée de l'appareil.
16. Inspecter régulièrement la pompe et les pièces de la pompe pour vérifier que la grille d'aspiration de la pompe est débarrassée de boue, de sable et de débris. Débrancher la pompe de la source d'alimentation avant de l'inspecter.
17. Respecter toutes les normes de sécurité et tous les codes électriques locaux.

18. Le moteur de cette pompe est muni d'un protecteur thermique qui s'arrête si le moteur surchauffe. Le protecteur se réinitialise automatiquement une fois que le moteur est refroidi et qu'une température acceptable est atteinte. La pompe peut démarrer de manière inattendue si l'appareil est branché.
19. Vérifier que la source d'alimentation électrique satisfait les exigences pour cette pompe.
20. Avant d'utiliser la pompe, vérifier que le tuyau ne présente pas de perforations ou des signes d'usure qui risqueraient de causer des fuites, et qu'il n'est pas tortillé ou plié. Un tuyau bien droit permet à la pompe d'évacuer rapidement la plus grande quantité d'eau. Vérifier aussi que tous les raccords sont serrés afin de minimiser les fuites.
21. Cette pompe est fabriquée de matériaux à haute résistance mécanique et résistant à la corrosion. La durée de vie de la pompe est prolongée lorsqu'elle est correctement installée, utilisée et entretenue. Cependant, une alimentation électrique insuffisante, des saletés ou des débris peuvent provoquer une panne de la pompe. Veuillez lire attentivement ce manuel et suivre les instructions relatives aux mesures correctives à prendre pour résoudre des problèmes communs.
22. La pompe est complètement automatique lorsqu'elle fonctionne. Si le niveau de l'eau s'élève au-dessus de 2 po, le détecteur repérera l'eau. Alors, le système de contrôle à l'intérieur de la pompe se déclenchera automatiquement et la pompe fonctionnera jusqu'à ce que l'eau redescende à 3/4 po et s'arrêtera à ce moment. La pompe ne démarrera pas si le niveau de l'eau n'atteint pas 2 po.
23. Danger de décharge électrique! Les prises à disjoncteur de fuite à la terre ne préviennent que la fuite decourant à la terre. Cette prise NE limite PAS lamagnitude du courant en fuite et N'empêchera PAS une déchargeélectrique. Remplacer immédiatement tout cordon endommagé.
24. Risque de décharge électrique. Cette pompe n'a PAS été testée pour une utilisation dans les secteurs marins. Ne JAMAIS placer la pompe dans les piscines lorsqu'il y a des personnes dans l'eau. NE PAS manipuler la pompe avec les mains humides ou debout dans l'eau ou sur une surface humide. La pompe est conçue pour être utilisée uniquement dans les piscines fermées et couvertes. L'eau accumulée sur la couverture de piscine peut provoquer des blessures ou la mort. L'installation adéquate de la pompe pour couverture de piscine ainsi que son entretien périodique sont recommandés. Le non-respect de ces instructions POURRAIT entraîner la mort ou des blessures graves.
25. L'appareil DOIT être branché dans une prise à disjoncteur de fuite à la terre correctement mise à la terre. Consulter un électricien qualifié pour l'installation en bonne et due forme d'une PRISE À DISJONCTEUR DE FUITE À LA TERRE.
26. NE PAS DÉPLACER, POSITIONNER, TIRER OU TRANSPORTER LA POMPE À L'AIDE DU CORDON D'ALIMENTATION OU DU TUYAU DE DÉCHARGE; cela pourrait endommager la pompe ou le cordon d'alimentation. Utiliser la poignée fournie sur la pompe ou attacher une corde au filtre et positionner la pompe conformément aux instructions.

## AVANT L'INSTALLATION

### UTILISATION

Cette pompe portative pour couverture de piscine avec mise en marche-arrêt automatique est conçue pour le retrait automatique de l'eau des couvertures de piscine ou de spa. Les appareils sont dotés d'un cordon d'alimentation mis à la terre de 7,6 m (25 pi) à 3 broches. Le clapet de non-retour de décharge fourni empêche les cycles courts et son adaptateur de 19 mm (3/4 po) permet un raccordement aisé à un tuyau d'arrosage standard.

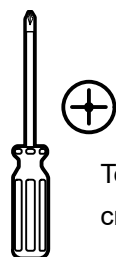
#### Caractéristiques :

- Profondeur de fonctionnement : 2 po minimum.

## OUTILS REQUIS



Tournevis à tête plate



Tournevis cruciforme



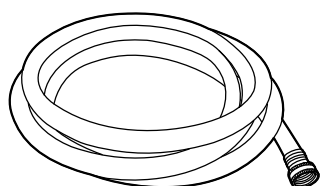
Clé Allen



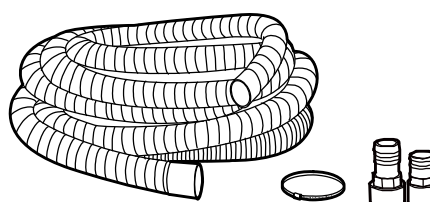
Lunettes de sécurité

## MATÉRIAUX REQUIS (NON INCLUS)

**NOTE:** Le tuyau et la trousse pour tuyau ne sont pas représentés à l'échelle.

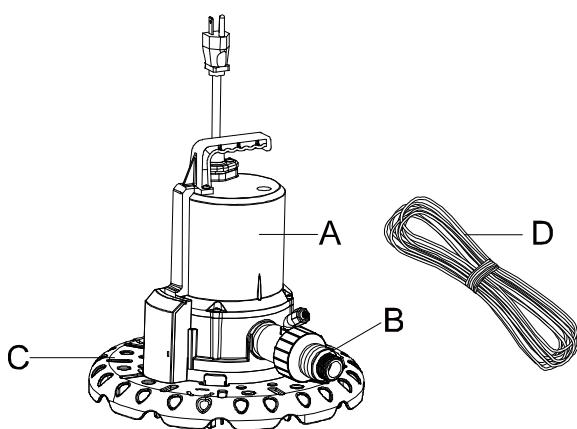


Tuyau d'arrosage ou



Trousse de tuyau d'évacuation pour pompe de puisard

## L'EMBALLAGE CONTIENT



Partie	Description
A	Pompe
B	Le clapet 3/4 po
C	Filtre à débris
D	corde de 7.6m(25 pi)

## CARACTÉRISTIQUES

<b>Alimentation électrique</b>	Circuit de 115V, 60 HZ., 10 ampères
<b>Plage de températures du liquide</b>	De 32°F à 95° F (de 0° C à 35° C)
<b>Taille de l'entrée de la pompe</b>	Embout mâle NPT de 1-1/4 po (31,7 mm) ou tuyau d'arrosage fileté de 3/4 po (19 mm)

# INSTALLATION

**DANGER:** Ne PAS utiliser la pompe si une partie du boîtier de l'interrupteur ou de la sonde est fissurée, cassée ou manquante.

**DANGER:** Toujours couper le courant avant d'essayer d'installer, de réparer, de déplacer ou d'effectuer tout entretien.

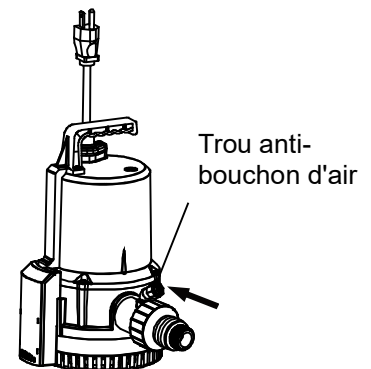
**AVERTISSEMENT:** Les rallonges électriques peuvent ne pas fournir suffisamment de voltage pour le moteur de la pompe. Les rallonges électriques peuvent mettre la vie en danger si l'isolation est endommagée ou si les extrémités tombent à l'eau. Le recours à une rallonge électrique pour alimenter cette pompe n'est pas permis.

**AVERTISSEMENT:** Cet appareil n'est PAS conçu pour être utilisé comme pompe de puisard ou dans les applications de ce type. Cet appareil n'est PAS conçu pour être utilisé dans les fosses septiques ou les enceintes souterraines pour pomper les effluents ou les eaux usées. Ne JAMAIS utiliser dans des endroits dangereux ou explosifs.

**ATTENTION:** Toujours se servir de la poignée pour soulever la pompe. Ne jamais utiliser le cordon d'alimentation électrique pour soulever la pompe. Afin d'éviter les brûlures, débrancher la pompe et attendre qu'elle refroidisse après de longues périodes de fonctionnement.

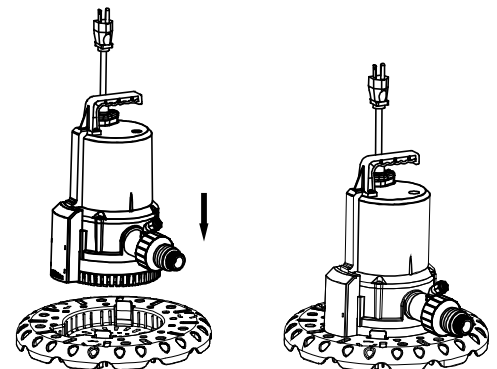
## 1. Connecter un clapet anti-retour

- Installer le clapet de retenue sur la sortie de la pompe  
**NOTE:** Installer le clapet de non-retour en veillant à ce que les flèches soient orientées vers le haut.



## 2. Connecter une crépine à débris

- Installer le filtre à débris amovible. Commencer par aligner le contour de la base de la pompe avec celui de la base du filtre, en utilisant le boîtier de l'interrupteur comme guide. Faire pivoter la pompe en arrière et guider l'arrière de la pompe (côté opposé au tuyau de décharge) dans la base du filtre. Une fois que l'arrière de la pompe est en place, faire pivoter doucement la pompe vers le bas jusqu'à ce que le loquet s'enclenche.
- Pour retirer le filtre à débris, relâcher le loquet et guider la pompe hors du filtre dans le mouvement inverse à celui exécuter lors de l'installation.

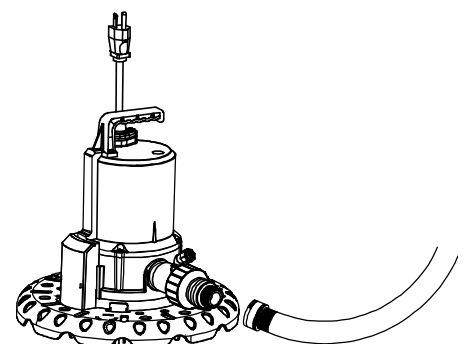


**AVIS:** Lors du placement d'une pompe sur une couverture de piscine, toujours utiliser le filtre à débris. Le filtre permet d'éviter d'occasionner des dégâts à la couverture de la piscine et accroît la stabilité de la pompe.

## 3. Connexion d'un tuyau d'arrosage de 3/4 po ou d'un tuyau de 1-1/4 po

**NOTE:** Assurez-vous que le connecteur à filets du boyau d'arrosage est muni d'un joint en caoutchouc afin de réduire les fuites d'eau.

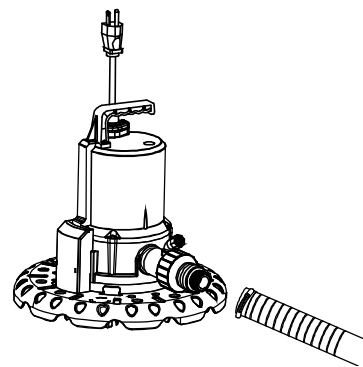
- Connecter un boyau d'arrosage avec un filetage pour boyau d'arrosage de 3/4 po (non inclus) au clapet anti-retour.



Si vous utilisez un boyau de 1-1/4 po (non inclus) vous vous débarrasserez de l'eau plus rapidement.

**AVERTISSEMENT:** Fixer le conduit de refoulement avant de brancher la pompe.  
Un conduit de refoulement non sécurisé donnera des coups de fouet et peut causer des blessures ou des dommages matériels.

- Attachez solidement le boyau (noninclus) au clapet anti-retour.



## 4. Placer pompe sur la couverture de piscine

- La pompe débranchée, placer cette dernière sur la couverture de piscine, au point d'accumulation d'eau. NE PAS placer la pompe directement sur des surfaces boueuses, ou au milieu des feuilles.

**REMARQUE:** Pour obtenir de meilleurs résultats, s'assurer que le filtre de la pompe est complètement en contact avec une zone propre de la couverture de la piscine. Cela permettra au filtre de correctement filtrer les débris et à la pompe d'éviter de devenir obstruée. Si nécessaire, nettoyer une zone de la couverture de la piscine avant d'y placer la pompe.

**REMARQUE:** NE PAS placer la pompe sur une couverture de piscine fragilisée, endommagée ou présentant des fuites. Si la pompe est placée sur une couverture de piscine endommagée, cette couverture pourrait céder ou la pompe pourrait alors aspirer de l'eau traitée de la piscine en plus de l'eau de pluie.

### Application De Pompe En Contrebas

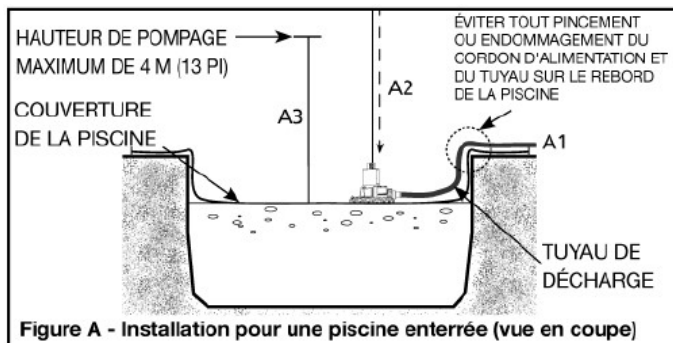


Figure A - Installation pour une piscine enterrée (vue en coupe)

A1. Placer l'tuyau extrémité du tuyau à l'écart de la piscine, là où l'eau sera évacuée.

A2. Attacher la corde de 7,6 m (25 pi) fournie à la poignée de la pompe, puis faire descendre la pompe sur la couverture de la piscine, au point d'accumulation d'eau.

A3. Ne PAS dépasser la hauteur de pompage maximum de 4 m (13 pi) de cette pompe, sans quoi l'interrupteur risque de ne pas fonctionner correctement. Brancher la pompe pour lancer le fonctionnement automatique

Pour RETIRER LA POMPE, débrancher la pompe puis la récupérer à l'aide de la corde.

### INSTALLATION DE POMPE À TIRER

Pour placer la pompe sur la couverture de la piscine, attacher la corde de 7,6 m (25 pi) à la boucle de traction vers le bord (Figures B).

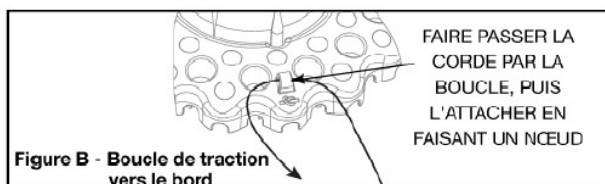


Figure B - Boucle de traction vers le bord

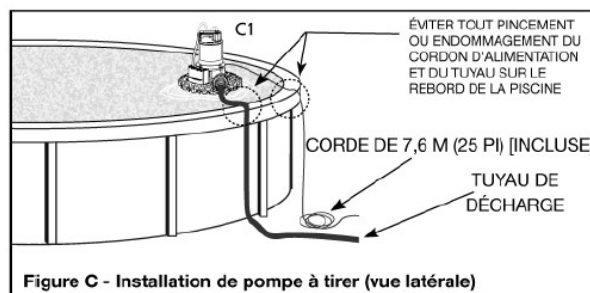
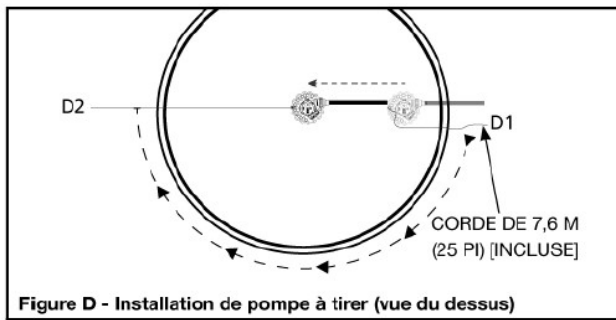


Figure C - Installation de pompe à tirer (vue latérale)

C1. Attacher la corde de 7,6 m (25 pi) fournie à la boucle de tractoin vers le bord (voir Figures B).

C2. Placer la pompe sur la couverture de la piscine, à proximité du bord de la piscine (voir Figures C). En cas d'utilisation d'un dispositif de flottaison, placer la pompe au point le plus bas de la zone d'accumulation de l'eau sur la couverture de la piscine.



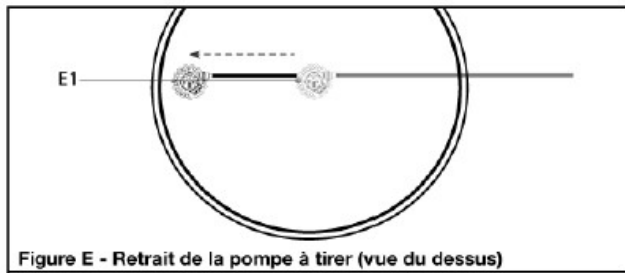


D1. Prendre en main la corde de 7,6 m (25 pi), puis marcher autour de la piscine jusqu'à se trouver en face à la pompe, de l'autre côté de la piscine.

D2. Tirer la corde de 7,6 m (25 pi) vers soi jusqu'à ce que la pompe se trouve au centre de la couverture de la piscine, au point d'accumulation de l'eau. Attacher la corde pour pouvoir retirer facilement la pompe (Figures E) lorsque le temps le permet.

**AVIS:** Lors du placement d'une pompe sur une couverture de piscine, toujours utiliser le filtre à débris. Le filtre permet d'empêcher d'occasionner des dégâts à la couverture de la piscine et accroît la stabilité de la pompe

### RETRAIT DE LA POMPE À TIRER



E1. Mettre la pompe hors tension. À l'aide de la corde de 7,6 m (25 pi) incluse, tirer doucement la pompe vers le bord de la piscine, débrancher le tuyau de décharge et retirer la pompe.

## OPÉRATION

**REMARQUE:** Pour assurer une performance optimale de la pompe, dérouler le tuyau avant de démarrer la pompe. Ceci aidera à retirer tous les entortillements ou les coudes du tuyau et laissera l'appareil pomper avec moins de restriction.

1. Le niveau d'eau doit être d'au moins 5,1 cm (2 po) pour que la pompe cycle, s'amorce et fonctionne. Les niveaux d'eau de moins de 5,1 cm (2 po) ne permettront pas à l'impulseur d'entrer en contact avec l'eau; donc aucune eau ne sera pompée.
2. Brancher la pompe dans une prise à disjoncteur de fuite à la terre mise à la terre de 115 volts. La pompe démarrera automatiquement lorsque l'eau atteint une profondeur de 5,1 cm (2 po). Un délai d'amorçage de 2 secondes est programmé pour donner à l'air le temps de s'échapper de la chambre de pompage.

**ATTENTION:** Lors du positionnement de la pompe, faire preuve de prudence afin de ne pas endommager le cordon d'alimentation sur le rebord de la piscine. Veiller également au bon placement du tuyau de déchargement et du cordon d'alimentation après l'installation. Veiller à ce qu'aucun bord tranchant n'endommage le cordon d'alimentation ou le tuyau de décharge, ce qui entraînerait des conditions d'utilisation dangereuses.

3. La pompe s'arrêtera automatiquement lorsque l'eau est retirée à une profondeur d'environ 1,9 mm (3/4 po). La pompe ne redémarrera PAS avant que la profondeur de l'eau n'atteigne 5,1 cm (2 po) ou plus.
4. La pompe NE se permettra PAS de fonctionner à sec. Lorsque la pompe détecte que l'eau n'est plus retirée, elle s'arrêtera automatiquement. La pompe doit rester droite en tout temps pour que la détection d'eau fonctionne. NE PAS laisser la pompe fonctionner sur le côté ou à l'envers. Le joint de l'arbre compte sur l'eau pour sa lubrification. Ainsi, si la pompe n'est pas maintenue droite, cela pourrait endommager le joint de l'arbre et mener à la défaillance de la pompe.

**REMARQUE:** NE PAS modifier la pompe pour contourner le détecteur d'eau automatique. Le joint de l'arbre compte sur l'eau pour sa lubrification. Contourner cette fonction de la pompe PEUT la faire fonctionner à sec, ce qui POURRAIT endommager le joint de l'arbre et mener à la défaillance de la pompe.

# Entretien

**AVERTISSEMENT:** La pompe démarre automatiquement. Toujours couper le courant avant d'essayer d'installer, de réparer, de déplacer ou d'essayer tout entretien.

**Attention:** Toujours utiliser la poignée pour soulever la pompe. Ne jamais utiliser le cordon d'alimentation pour la soulever. Pour éviter les brûlures de la peau, débrancher la pompe et la laisser refroidir après une longue période d'utilisation

## À faire

- Lorsque l'alimentation électrique est coupée, vérifier la grille d'aspiration de la pompe et débarrasser tous les débris. Rebrancher la pompe dans une prise équipée d'un disjoncteur avec fuite à la terre (GFCI).

## À ne pas faire

- Ne pas démonter le boîtier du moteur. Aucune pièce interne du moteur n'est réparable. Le démontage du moteur peut entraîner des fuites ou de sérieux problèmes de câblage.
- Ne pas utiliser le cordon d'alimentation pour soulever la pompe.

Cette pompe exige très peu d'entretien. Le boîtier du moteur de la pompe est entièrement scellé et n'exige aucun entretien. Si la pompe cesse de fonctionner, suivre les directives de dépannage suivantes:

1. Vérifier que la hauteur de pompage NE dépasse PAS 4 m (13 pi) [voir la figure A]. Si la hauteur de pompage dépasse 4 m (13 pi), la fonction automatique de cette pompe ne fonctionnera pas correctement.
2. Vérifier que la profondeur de l'eau est bien de 5,1 cm (2 po) ou plus.
3. Pour vérifier si la pompe fonctionne correctement :
  - a. Débrancher la pompe de la source d'alimentation.
  - b. Brancher l'adaptateur de tuyau/le clapet de non-retour et le tuyau de décharge à la pompe.
  - c. Plonger la pompe dans un seau ou dans un contenant d'eau d'au moins 5,1 cm (2 po) de profondeur.
  - d. Placer l'autre extrémité du tuyau de décharge à l'extérieur du seau pour que l'eau pompe vers l'extérieur.
  - e. Brancher le cordon d'alimentation dans une prise de courant à disjoncteur de fuite à la terre de 115 volts. La pompe devrait commencer environ 2 secondes après avoir détecté de l'eau. Lorsque la pompe retire de l'eau à une profondeur de 1,9 cm (3/4 po), la pompe s'arrête automatiquement.
4. Pour vérifier si le tuyau de décharge est libre de tout blocage:
  - a. Raccorder le tuyau à une autre source d'eau telle qu'un robinet. Si l'eau circule à travers le tuyau, retourner à l'étape 3a. Si l'eau ne coule pas librement, s'assurer que le tuyau de décharge est déroulé et retirer tous les tortillements, les coudes ou les obstructions dans le tuyau.
5. Si la pompe fonctionne continuellement, débrancher l'appareil. Après l'avoir débranché, retirer le filtre et vérifier s'il y a des débris collés à l'intérieur du corps du capteur. Retirer les débris, saletés et feuilles coincés.
6. Lorsque les températures chutent sous 0°, arrêter de faire fonctionner la pompe et la stocker à l'intérieur pour la protéger des dégâts provoqués par le gel. La pompe dispose d'un circuit de protection unique protégeant le moteur contre le verrouillage de l'impulseur, éventuellement causé par l'accumulation de débris, ou contre le gel de l'impulseur suite à une formation de glace. Lorsque la pompe fonctionne et qu'un impulseur verrouillé est détecté, l'appareil s'arrête automatiquement afin d'empêcher le moteur de surchauffer. La pompe poursuivra ce cycle de marche/arrêt pendant un certain temps afin d'essayer de « libérer » l'impulseur, après quoi l'appareil s'arrêtera et restera hors tension pendant 12 heures, vérifiant deux fois par jour si l'impulseur est « libéré ». Une fois que la pompe sera à nouveau en mesure de fonctionner correctement, celle-ci reprendra son fonctionnement normal. Puis rincer soigneusement à l'eau claire.

**DANGER:** NE PAS utiliser la pompe si toute partie du boîtier de l'interrupteur ou de la sonde est fissurée, brisée ou manquante.

## HAUTEUR DE POMPAGE

Lorsque l'eau est pompée à une position élevée, tout volume qui n'a pas atteint la sortie de décharge peut revenir par la pompe lorsque la pompe est arrêtée. Ce retour d'eau peut relever le niveau d'eau dans de petits endroits pouvant mener au redémarrage de la pompe. Le réducteur du clapet de non-retour inclus est obligatoire dans une telle situation. Pour le bon fonctionnement, s'assurer que le clapet de non-retour est orienté selon les instructions sur le corps du clapet. Pour réinitialiser ce délai sans devoir patienter 12 heures, débrancher momentanément la pompe.

## Diagnostic Des Pannes

**DANGER:** Risque d'électrocution! La pompe démarre automatiquement. Couper le courant avant toutes réparations. Ne pas suivre cet avertissement ENTRAÎNERA des blessures graves ou la mort.

Problèmes	Causes possibles	Mesures correctives à prendre
La pompe ne démarre pas ou ne fonctionne pas	<ol style="list-style-type: none"><li>1. Fusible résidentiel grillé</li><li>2. Disjoncteur de fuite à la terre déclenché</li><li>3. Basse tension de ligne</li><li>4. Moteur défectueux</li><li>5. Interrupteur sale</li><li>6. Impulseur obstrué</li><li>7. Entrée bouchée ou filtre bloqué</li><li>8. Trou d'amorçage bouché</li></ol>	<ol style="list-style-type: none"><li>1. Réinitialiser le disjoncteur</li><li>2. Vérifier tout signe de fil endommagé ou d'humidité</li><li>3. Contacter un électricien</li><li>4. Remplacer la pompe</li><li>5. Rincer l'interrupteur à l'eau propre (Figure 2)</li><li>6. Retirer le filtre, la base et la plaque de l'impulseur (Figure 1), vérifier s'il y a des débris, nettoyer</li><li>7. Nettoyer le tamis d'entrée et le filtre à débris (Figure 1)</li><li>8. Nettoyer le trou, l'intérieur du boîtier de volute avec une épingle ou un trombone (Figure 1)</li></ol>
La pompe démarre et s'arrête trop souvent	<ol style="list-style-type: none"><li>1. Refoulement d'eau du tuyau</li><li>2. Interrupteur sale</li><li>3. Trou d'amorçage bouché</li><li>4. La pompe est mal installée sur la couverture de piscine ou du spa</li></ol>	<ol style="list-style-type: none"><li>1. Installer ou remplacer le clapet de non-retour</li><li>2. Rincer l'interrupteur à l'eau propre (Figure 2)</li><li>3. Nettoyer le trou, l'intérieur du boîtier de volute avec une épingle ou un trombone (Figure 1)</li><li>4. Rééquilibrer la pompe sur la couverture</li></ol>
La pompe ne s'arrête pas ou fonctionne continuellement	<ol style="list-style-type: none"><li>1. Débris dans l'interrupteur</li><li>2. Hauteur de décharge dépasse la capacité</li></ol>	<ol style="list-style-type: none"><li>1. Rincer l'interrupteur à l'eau propre (Figure 2)</li><li>2. Réduire la hauteur de décharge</li></ol>
La pompe fonctionne, mais donne peu ou aucune eau	<ol style="list-style-type: none"><li>1. Impulseur obstrué</li><li>2. Trou d'amorçage bouché</li><li>3. Tuyau obstrué</li><li>4. La hauteur de décharge dépasse la capacité</li><li>5. Filtre bloqué</li></ol>	<ol style="list-style-type: none"><li>1. Retirer le filtre, la base et la plaque de l'impulseur (Figure 1), vérifier s'il y a des débris, nettoyer</li><li>2. Nettoyer le trou, l'intérieur du boîtier de volute avec une épingle ou un trombone (Figure 1)</li><li>3. Vérifier s'il y a des tortillements, replacer le tuyau ou vérifier s'il y a des débris</li><li>4. Réduire la hauteur de décharge</li><li>5. Débrancher la pompe. Retirer le filtre et rincer à l'eau claire pour éliminer les débris.</li></ol>

## K2 Pumps Garantie Limitée

### CE QUE CETTE GARANTIE COUVRE

Cette garantie limitée entre en vigueur le 1er septembre 2020 et remplace toutes les garanties non datées antérieures au 1er septembre.

K2 Pumps (K2) garantit à l'acheteur original (Vous) que ses produits sont exempts de défauts de matériaux et de fabrication d'origine pendant au moins un an (la garantie varie en fonction du modèle; voir l'encadré ou le site Web K2 pour des informations de garantie spécifiques) à partir de la date d'achat (la période de garantie). Les pièces de réparation et les accessoires sont garantis pendant 90 jours à compter de la date d'achat. Pendant la période de garantie, K2 réparera ou remplacera, sans frais pour vous, les produits qui ont été examinés par K2 et jugés défectueux en matière de matériaux ou de fabrication.

***Ne reviennent pas au magasin.***

***Pour une assistance technique professionnelle, Service à la clientèle d'appel 844-242-2475.***

### CE QUE CETTE GARANTIE NE COUVRE PAS

Cette garantie ne couvre pas: L'utilisation du produit pour une application non-résidentielle, une mauvaise installation et / ou entretien du produit, les dommages dus à une mauvaise utilisation, les actes de Dieu, les dégâts imputés à la nature ou d'autres actes qui échappent au contrôle d'K2, les actes ou omissions du propriétaire, l'utilisation à l'extérieur du pays où le produit a été initialement acheté et la revente du produit par le propriétaire initial. Cette garantie ne couvre pas la collecte, la livraison, le transport ou les déplacements chez les particuliers. Toutefois, si vous envoyez votre produit à un centre de service après-vente et des garanties K2, le coût de l'expédition (aller simple) sera remboursé. Cette garantie ne couvre pas les produits achetés en dehors des États-Unis, y compris ses territoires et possessions, en dehors des États-Unis la bourse d'échange militaire et à l'extérieur du Canada. Cette garantie ne couvre pas les produits achetés chez un tiers qui n'est pas détaillant, revendeur ou distributeur agréé des produits K2

### AUTRES TERMES IMPORTANTS

Cette garantie est non transférable et ne peut être cédée. Cette garantie doit être régie et interprétée en vertu des lois de l'État du Michigan. La période de garantie ne sera pas prolongée par un remplacement ou une réparation effectuée en vertu de cette garantie. CETTE GARANTIE EST LA GARANTIE EXCLUSIVE ET LE RECOURS FOURNI PAR K2. TOUTE AUTRE GARANTIE, EXPLICITE OU IMPLICITE, Y COMPRIS LES GARANTIES DE COMMERCIALISATION OU D'ADAPTATION À UN USAGE PARTICULIER, SONT EXCLUES. EN AUCUN CAS K2 NE SERA RESPONSABLE DES DOMMAGES PARTICULIERS, INDIRECTS, ACCESSOIRES OU INDIRECTS DE QUELQUE NATURE QUE CE SOIT AU PROPRIÉTAIRE OU TOUTE PARTIE DEMANDERESSE PAR L'INTERMÉDIAIRE DU PROPRIÉTAIRE RELATIF À UN CONTRAT, UNE NÉGLIGENCE, UNE ACTION DELICTUELLE, OU UNE STRICT RESPONSABILITE VIS-À-VIS DU PRODUIT, OU PROVENANT DE TOUTE AUTRE CAUSE. Certains états ne permettent pas l'exclusion des dommages indirects et conséquemment l'exclusion ci-dessus peut ne pas vous concerner. Cette garantie vous donne des droits spécifiques. Vous pouvez également en avoir d'autres qui varient d'un état à l'autre.

**GP Enterprises Co., Ltd. 1436 Brook Drive, Downers Grove, IL 60515**

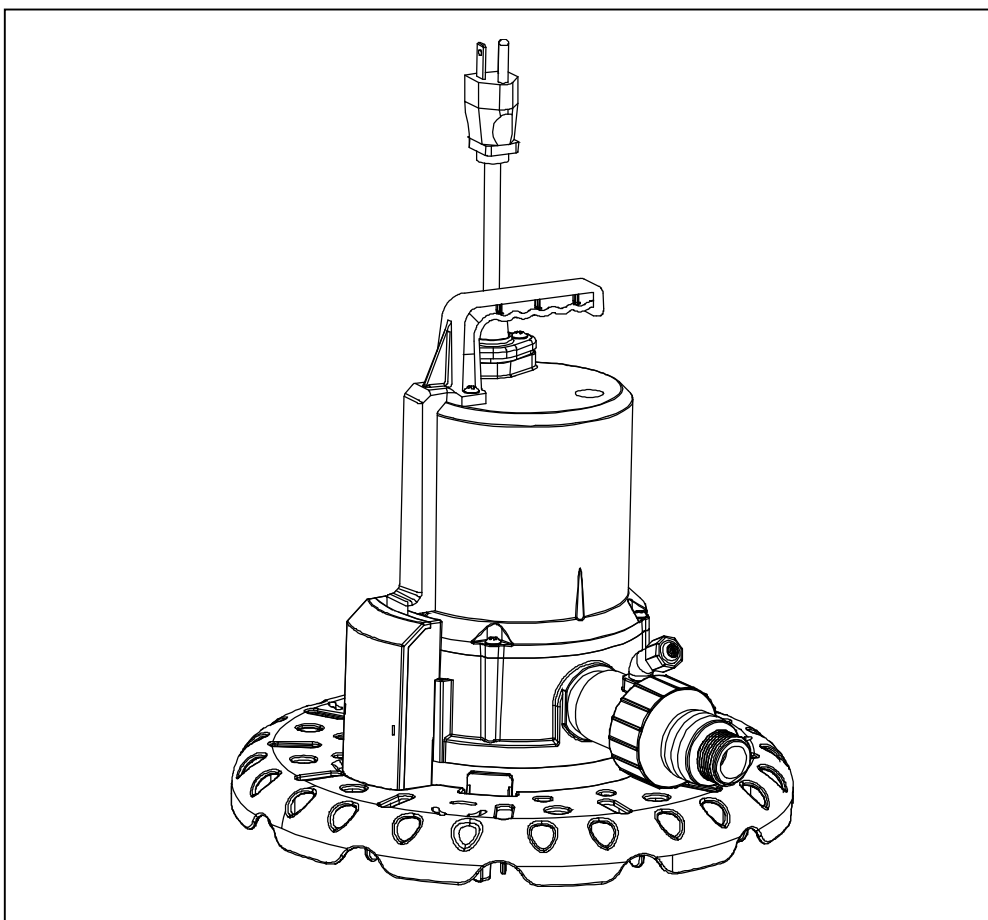
**Téléphone: 844-242-2475 / Web: [www.K2Pumps.com](http://www.K2Pumps.com)**



Modelo: UTA02502APK

# MANUAL DEL USUARIO

Bomba automática de cubierta de piscina



¿Preguntas, problemas, piezas que faltan? Antes de devolverla a la tienda, llame a Servicio al Cliente de 8:00 AM a 6:00 pm EST de Lunes a Viernes.

**1-844-242-2475**

[www.K2pumps.com](http://www.K2pumps.com)

# FUNCIONAMIENTO

MODELO	HP	GPH (Galones por hora) de Agua @ Pies (Metros) de Altura						Máx. Levante
		0 pi.	5 pi.	10 pi.	15 pi.	20 pi.	25 pi.	28 pi.
UTA02502APK	1/4	1800	1550	1320	1080	780	360	

# INFORMACIÓN DE SEGURIDAD

- No bombee líquidos inflamables o explosivos como aceite, gasolina, queroseno, etc. No lo use cerca o en presencia de vapores inflamables o explosivos. El uso de este producto cerca o con líquidos inflamables puede causar una explosión o un incendio causando daños a su propiedad, lesiones personales, y/o muerte.
- SIEMPRE desconecte la bomba antes de hacerle mantenimiento.
- No use la bomba o el motor de la bomba con las manos mojadas, o cuando esté de pie sobre la superficie mojada o húmeda, o en agua.
- Do not handle the pump or pump motor with wet hands or when standing on a wet or damp surface, or in water before disconnect the power.
- Descargue toda presión y desagüe toda el agua del sistema antes del mantenimiento de cualquier componente.
- Asegure el cable de descarga antes de empezar hacer funcionar la bomba. Un cable suelto o no asegurado puede arrebatare causando daños personales o daños a la propiedad.
- Extension cords may not deliver sufficient voltage to the pump motor. Extension cords present a life threatening safety hazard if the insulation becomes damaged or the connection ends fall into water. The use of an extension cord to power this pump is not permitted.
- Use gafas de seguridad en todo momento al trabajar con bombas.
- Esta unidad está diseñada de un uso de 115 voltios (una sola fase), 60 Hz, y está equipada con un cable de 3 conductores y un enchufe de conexión de tierra (3 clavijas). **NO QUITE EL ALFILIER BAJO NINGUNA CIRCUNSTANCIA.** El enchufe de conexión de tierra tiene que estar directamente y correctamente instalado en un receptáculo de conexión de tierra (3 clavijas). No use esta bomba en un receptáculo de 2 clavijas. Reemplacé el receptáculo de 2 clavijas con un receptáculo apropiado de 3 clavijas con conexión a tierra (GFCI) de acuerdo al Código Eléctrico Nacional y las ordenanzas locales. Todas las conexiones deben ser hechas por un electricista profesional.
- Proteja el cable eléctrico de objetos afilados, superficies calientes, aceite, y químicos. Evite enroscar los cables. No use cables dañados o desgastados.
- El no cumplir con las instrucciones de la operación de esta unidad puede anular la garantía. **EL INTENTO DE USAR UNA BOMBA DAÑADA** puede resultar en daños a la propiedad, serios daños personales y/o muerte.
- Asegúrese de que el circuito eléctrico a la bomba este protegido por un fusible de 10 amperios o un cortacircuitos.
- No levante la bomba por el cable eléctrico.
- Conozca de la bomba las aplicaciones, las limitaciones y los peligros potenciales.
- Asegúrese de que la bomba esté en una base sólida para mantenerla vertical por encima de barro y tierra durante el funcionamiento para maximizar la eficiencia de la bomba y prevenir que se tape o una falla prematura.
- Periódicamente inspeccione la bomba y los componentes del sistema para asegurar que las entradas estén libres de barro, arena y mugre. **DESCONECTE DEL ENCHUFE LA BOMBA ANTES DE INSPECCIONARLA.**
- Siga sus códigos de seguridad eléctrica local, especialmente los del Código Eléctrico Nacional (NEC) y en el lugar de trabajo. El Acta de Seguridad y Salud Ocupacional. (OSHA).
- El motor de la bomba tiene un protector térmico automático de reajuste que se apaga si la bomba se recalienta. Una vez que el protector térmico detecte que la bomba ha bajado de temperatura permitirá que la bomba funcione normalmente. Si la bomba está conectada puede empezar a funcionar inesperadamente

19. Asegure que la fuente de electricidad es adecuada para los requisitos que exige la bomba.
20. Antes de usar la bomba, compruebe la manguera por uso excesivo o huecos que pueden causar fugas, y también asegure que la manguera no esté torcida ni que haya ángulos exagerados en ésta misma. Una manguera recta permite la bomba mover la mayor cantidad de agua posible rápidamente, y también compruebe que todas las conexiones de la manguera estén apretadas.
21. Esta bomba está hecha de materiales de alta fuerza y resistentes a la corrosión. Cuando ha sido correctamente instalada no tendrá problemas de mantenimiento o de uso por mucho tiempo. Sin embargo, una conexión inadecuada de la bomba mugre o suciedad puede causar que la bomba falle. Lea cuidadosamente las instrucciones y sígalas con respecto a problemas y soluciones más comunes de la bomba.
22. Esta bomba está totalmente automatizada en operación. Si el nivel de agua está sobre 2 pg., el detector de agua reconocerá agua. En ese momento el sistema de control que se encuentra adentro de la bomba automáticamente prenderá la bomba y ésta misma continuará su función hasta que el nivel de agua baje a 3/8 pg. y luego parará. Si el nivel de agua no está sobre 2 pg., la bomba no prenderá.
23. ¡Riesgo de descarga eléctrica! Los tomacorrientes con interruptor de circuito de descarga a tierra (Ground Fault Circuit Interrupter, GFCI) solamente brindan protección contra la fallas de la línea a la conexión a tierra. El tomacorriente de falla de conexión a tierra NO limita la magnitud de la falla de corriente y NO previene una descarga eléctrica. Cambie el cable inmediatamente si está dañado.
24. Riesgo de descarga eléctrica. Esta bomba NO ha sido probada para uso en el mar. NUNCA coloquela bomba en una piscina cuando haya personas en el agua. NO manipule la bomba con las manos mojadas ni cuando usted está en el agua o sobre una superficie húmeda. La bomba está diseñada para ser usada solamente en piscinas cerradas y cubiertas. El agua acumulada sobre la cubierta para piscina puede causar lesiones o la muerte. Se recomienda la instalación adecuada y el mantenimiento periódico de la bomba para cubierta de piscina. No seguir las instrucciones PODRÍA ocasionar la muerte o lesiones graves.
25. La unidad DEBE estar conectada a un tomacorriente GFCI correctamente conectado a tierra. Consulte con un electricista calificado para obtener información sobre la instalación adecuada de un TOMACORRIENTE GFCI.
26. NO MUEVA, COLOQUE, ACERQUE NI TRASLADÉ LA BOMBA UTILIZANDO EL CABLE DE CORRIENTE O LA MANGUERA DE DESCARGA; se puede dañar la bomba o el cable de corriente. Use la manija de la bomba o ate una cuerda al filtro para ubicar la bomba según las instrucciones.

## PRE-MONTAJE APLICACIÓN

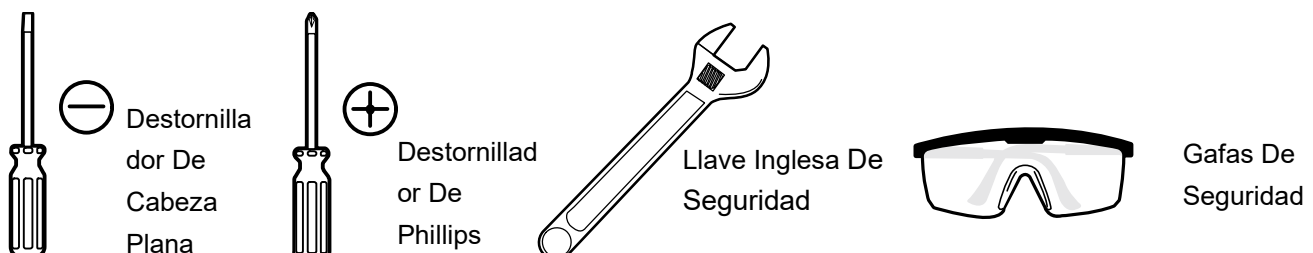
### APLICACIÓN

Esta bomba portátil para cubierta de piscina con encendido y apagado automático está diseñada para la extracción automática del agua de una cubierta de piscina o hidromasaje. Las unidades están equipadas con un cable de corriente de 7,6m (25 pies) de extensión con enchufe de tres clavijas y conexión a tierra. La válvula de retención de descarga provista evita los ciclos cortos y su adaptador de 19 mm (3/4 pulg.) se puede utilizar para conectar fácilmente a una manguera de jardín estándar.

#### Función:

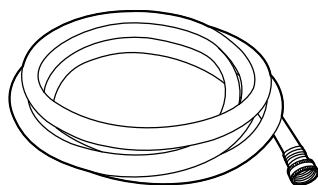
Profundidad de agua: nivel mínimo, 2 pg.

### HERRAMIENTAS REQUERIDAS

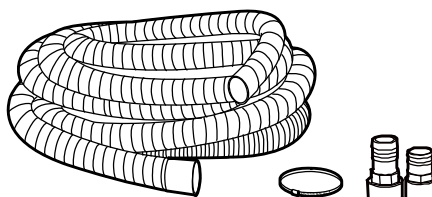


## MATERIALES REQUERIDOS (NO INCLUIDOS)

NOTA: Manguera y equipo de manguera no están mostrados a escala.

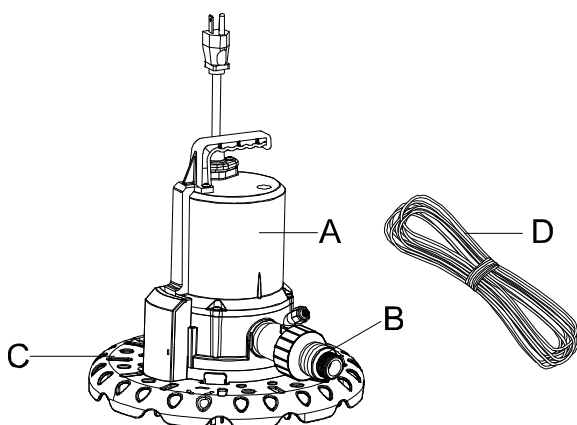


Manguera de Jardín



Equipo de Manguera de Bomba de Desagüe

## CONTENIDO DEL PAQUETE



Parte	Descripción
A	Bomba
B	Válvula de Retención de 3/4 pulgadas
C	Colador de escombros
D	cuerda de 7.6m (25pies)

## ESPECIFICACIONES

Voltaje	115V, 60 HZ., Circuito de 10 Amperios
Rango de Temperatura de Líquido	32°F to 95°F(0°-35°C)
Descarga	NPTfemenino de 1-1/4pg o conector de 3/4 manguera de jardín

## MONTAJE

**PELIGRO:** NO use la bomba si alguna parte de la caja del interruptor o la sonda estuviera rajada, rota o faltara.

**PELIGRO:** Siempre desconecte la fuente de energía antes de intentar instalar, efectuar un servicio, reubicar o realizar todo tipo de mantenimiento.

**PELIGRO:** Los cables de extensión no ofrecen suficiente voltaje al motor de la bomba. Los cables de extensión pueden presentar un peligro para la seguridad si el material de aislamiento se daña o si las puntas de conexión caen el agua. El uso de un cable extensión no está con esta bomba NO está permitida.

**ADVERTENCIA:** Esta unidad NO está diseñada para usarse como una bomba de sumidero o en aplicaciones desumidero. Esta unidad NO está diseñada para usarse en tanques sépticos ni en sótanos subterráneos para bombear aguas residuales o efluentes. NUNCA la utilice en lugares peligrosos o con riesgo de explosión.

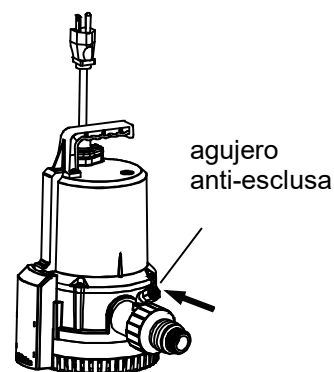
**CAUTELA:** Siempre use la manilla para levantar la bomba. Nunca use el cordón o el cable eléctrico para levantar la bomba. Para evitar quemaduras, desconecte la bomba y permita un tiempo para que la bomba se enfríe después de un largo tiempo de uso.



# 1. Conexión de la válvula de retención

- Install check valve to the pump outlet

**NOTA:** asegúrese de que las flechas apunten hacia arriba.

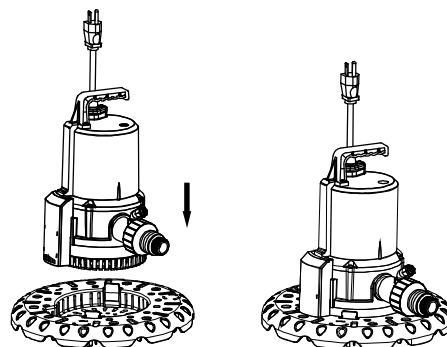


# 2. Conexión de un filtro para desechos

- Instale el filtro de desechos "a presión". Empiece alineando el perfil de la base de la bomba con el perfil de la base del filtro usando la caja del interruptor como guía. Incline la bomba hacia atrás y dirija la parte trasera de la bomba (opuesta a la descarga) a la base del filtro. Una vez que la parte trasera de la bomba esté colocada, gire ligeramente la bomba hacia abajo hasta que el cierre enganche.

- Para desinstalar el filtro para desechos, libere el cierre y saque la bomba del filtro con el movimiento contrario al de la instalación.

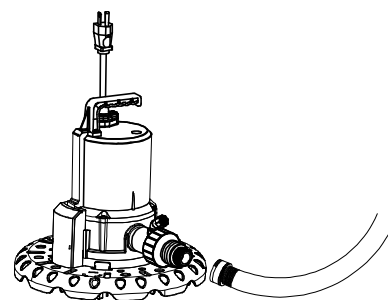
**NOTA:** siempre use un filtro para desechos al colocar la bomba en una cubierta para piscina. El filtro ayuda a proteger la cubierta de la piscina de daños, filtra los desechos y aumenta la estabilidad de la bomba.



# 3. Conexión de una manguera de jardín de 3/4 pg. O un juego de manguera de 1-1/4 pg.

**NOTA:** Asegúrese de que la punta de la manguera de jardín de 3/4 pg. tenga una junta para minimizar goteras.

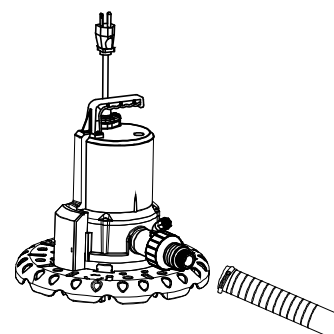
- Sujete la manguera de jardín con un conector de 3/4 manguera de jardín (no incluido) al adaptador.



Si Usted desea usar un equipo de manguera de 1-1/4 pg. (no incluido) para bombear agua más rápidamente.

**ADVERTENCIA:** Sujete la manguera de descarga antes de enchufar la bomba. Una manguera de descarga que no está bien sujeta puede "fustigar," posiblemente causando lesiones personales y/o daño a la propiedad.

- Sujete bien el equipo de manguera (no incluido) al adaptador



# 4. Colocación de la bomba en la cubierta de la piscina

- Con la bomba desenchufada, colóquela sobre la cubierta de piscina, donde se recogerá el agua. NO coloque la bomba directamente sobre superficies iodosas, arenosas o sobre hojas.

**NOTA:** Para obtener mejores resultados, asegúrese de que el filtro de la bomba esté en pleno contacto con un área limpia de la cubierta de piscina. Esto permitirá que el filtro depure los desechos de manera correcta y ayudará a prevenir la obstrucción de la bomba. Si fuera necesario, limpie un área de la cubierta de piscina antes de colocar la bomba.

**NOTA:** NO coloque la bomba sobre una cubierta de piscina frágil, dañada o que pierde. La colocación de la bomba sobre una cubierta de piscina dañada podría hacer que la cubierta cediera a que la bomba extrajera agua tratada de la piscina además de agua de lluvia.

## Aplicación De Bomba En Nivel Inferior

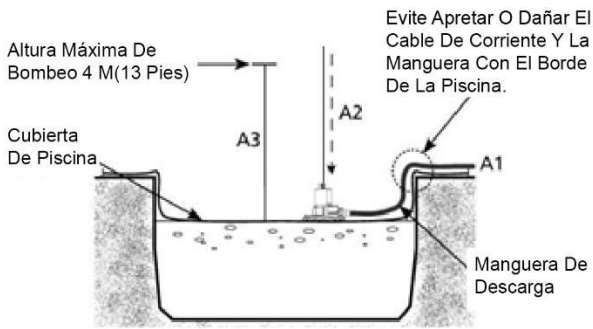


Figura A: instalación en piscina enterrada(vista seccionada)

A1. coloque el extremo de la manguera alejado de la piscina, donde se descargará el agua.

A2. Ate la cuerda de 7.6m (25pies) que se suministra a la manija de la bomba, baje la bomba y ubíquela sobre la cubierta de piscina donde se recogerá el agua.

A3. NO exceda la altura máxima de bombeo de 13' para esta bomba; de lo contrario, es posible que el interruptor no funcione correctamente. Enchufe la bomba para que funcione en forma automática.

Para RETIRAR la bomba, desenchúfela y súbala con la cuerda.

## Instalación De La Bomba Desde Un Costado De La Piscina

Como apoyo para la colocación de la bomba sobre la cubierta de piscina, ate la cuerda de 7.6m (25pies) que se suministra al pestillo de sujeción (Figura B)

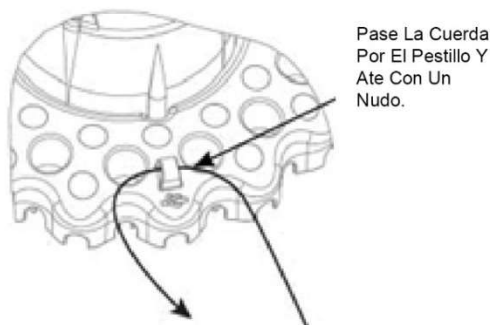


Figura B: Pestillo de sujeción

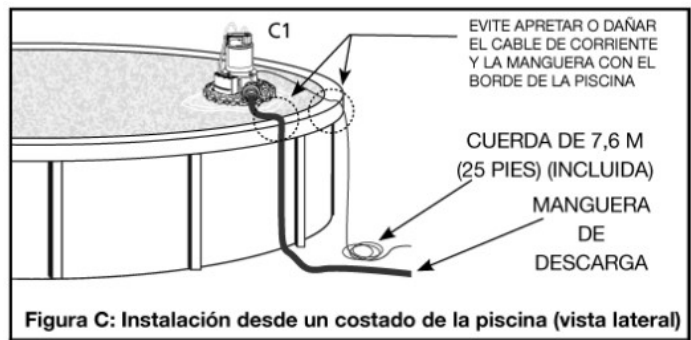


Figura C: Instalación desde un costado de la piscina (vista lateral)

C1. Conecte la cuerda de 7.6m (25pies) que se suministra al pestillo de sujeción (vea la Figura B)

C2. Coloque la bomba sobre la cubierta de piscina cerca del borde de la piscina (vea la Figura C), Si se utiliza un dispositivo de flotación, coloque la bomba en el punto más bajo de la cubierta de piscina donde se recogerá el agua.

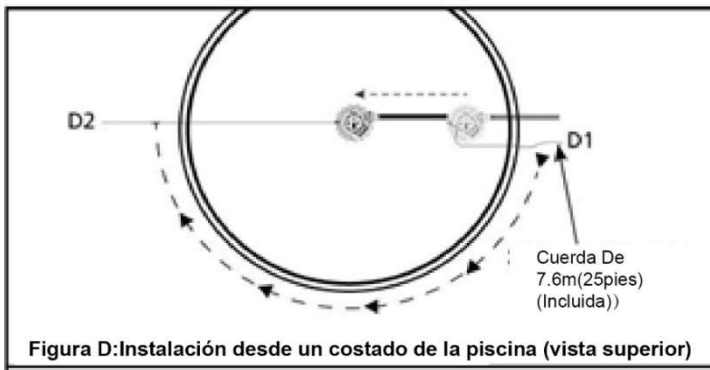


Figura D: Instalación desde un costado de la piscina (vista superior)

D1. Sosteniendo la cuerda de 7.6m (25pies) que se suministra, camine alrededor de la piscina hasta situarse frente a la bomba del lado opuesto.

D2. Jale de la cuerda de 7.6m (25pies) hasta que la bomba esté en el centro de la cubierta de piscina donde se recogerá el agua. Sujete la cuerda para retirar la bomba con facilidad (vea la Figura E) cuando las condiciones climática lo permitan.

**Nota:** Use siempre un filtro de desechos cuando coloque la bomba sobre una cubierta de piscina. El filtro

ayuda a proteger la cubierta de piscina contra daños y aumenta la estabilidad de la bomba.

## Remoción De La Bomba Desde Un Costado De La Piscina

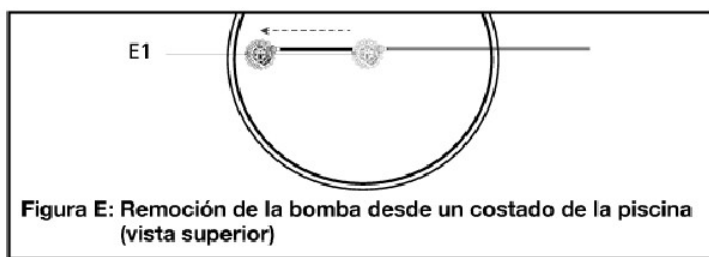


Figura E: Remoción de la bomba desde un costado de la piscina (vista superior)

E1. Desconecte la bomba. Utilizando la cuerda de 7,6m (25pies) que se suministra, jale y lleve la bomba de manera segura hasta el borde de la piscina, desconecte la manguera de descarga y retire la bomba.

# OPERACIÓN

**NOTA:** Para un mejor funcionamiento de la bomba, desenrosque la manguera antes de encender la bomba. Esto ayudará a eliminar cualquier pliegue o acodamiento en la manguera y permitirá que la unidad bombee con menos restricciones.

1. El nivel del agua debe ser por lo menos de 2 pulg para que la bomba pueda funcionar en ciclos, cebar y operar. Los niveles de agua inferiores a 2 pulg.) no permitirán que el impulsor entre en contacto con el agua y, por lo tanto, no se bombeará agua.
2. Enchufe la bomba en un tomacorriente de 115 voltios con protección GFCI adecuadamente conectado a tierra. La bomba arrancará automáticamente cuando el agua alcance una profundidad de 2 pulg. Se ha programado un retraso de cebado de 2 segundos en el control para dar tiempo a que el aire salga de la cámara de bombeo.

**PRECAUCION:** Cuando coloque la bomba en posición, evite dañar el cable de corriente arrastrándolo por el borde la piscina. También tenga en cuenta la ubicación de la manguera de descarga y el cable de corriente después de la instalación. Asegúrese de que ningún borde filoso dañe el cable de corriente ni la manguera de descarga y provoque condiciones inseguras.

3. La bomba se detendrá automáticamente una vez que se haya extraído el agua hasta una profundidad de aproximadamente 3/4 pulg. La bomba NO volverá a arrancar hasta que la profundidad del agua suba a 2 pulg o más.
4. La bomba NO funcionará sin líquido. Una vez que la bomba detecta que ya no se está extrayendo agua, se apagará automáticamente. La bomba debe permanecer en posición vertical en todo momento para que la detección de agua funcione. EVITE que la bomba funcione de costado o en posición invertida. El sello del eje utiliza agua para su lubricación. Si la bomba permanece en cualquier otra orientación que no sea vertical, se podría producir la falla del sello del eje o la falla de la bomba.

**NOTA:** NO altere la bomba ni anule el detector automático de agua. El sello del eje utiliza agua para su lubricación. Anular esta función de la bomba PUEDE hacer que la bomba funcione sin líquido y PUEDE dañar el sello del eje y provocar la falla de la bomba.

# CUIDADO Y MANTENIMIENTO

**ADVERTENCIA:** La bomba arranca en forma automática Siempre desconecte la fuente de energía antes de intentar instalar, efectuar un servicio, reubicar o realizar todo tipo de mantenimiento.

**CAUTELA:** Siempre use la manilla para levantar la bomba. Nunca use el cordón o el cable eléctrico para levantar la bomba. Para evitar quemaduras, desconecte la bomba y permita un tiempo para que la bomba se enfríe después de un largo tiempo de uso.

## Usted Debe Hacer lo Siguiente

- Cuando el cable esta desconectado, inspeccione la bomba y remueva todo la mugre, en seguida conecte la bomba de nuevo a la toma con conexión a tierra (GFCI).

## Usted NO Debe Hacer lo Siguiente

- Desarme el motor. Este motor NO tiene piezas internas reparables y el desarmarla puede causar fuga o problemas eléctricos peligrosos.
- Levantar la bomba por el cable.

Se requiere un mínimo mantenimiento para esta bomba. La caja del motor de la bomba está completamente sellada y no requiere mantenimiento. Si la bomba no funciona, siga estas pautas de diagnóstico y resolución de problemas:

1. Verifique que la altura de bombeo NO exceda los 4m(13 pies)(vea la Figura A). Si la altura de bombeo supera los 4m(13 pies), la función automática de esta bomba no operará correctamente.
2. Verifique que la profundidad del agua sea de 2 pulg o más.
3. Para verificar que la bomba está funcionando correctamente.
  - a. Desconecte la bomba de la fuente de energía.

- b. Conecte el la válvula de retención y la manguera de descarga a la bomba.
  - c. Sumerja la bomba en un balde o una tina con agua a por lo menos 2 pulgde profundidad.
  - d. Coloque el otro extremo de la manguera de salida fuera del halde,de forma que el agua se bombee hacia afuera.
  - e. Enchufe el cable de corriente en un tomacorriente GFCI de 115 voltios con conexión a tierra.La bomba debe encenderse después de 2 segundos de detectar agua.Una vez que la bomba haya extraído agua a una profundidad de 2 pulg se detendrá automáticamente.
  - f. Si la bomba NO funciona,desenchufe el cable de corriente y proceda al paso 5 de Mantenimiento.
4. Para verificar que la manguera de descarga no tenga obstrucciones.
    - a. Conecte la manguera a otra fuente de agua, como un grifo.Si el agua fluye a través de la manguera,vuelva al paso 3a. Si el flujo de agua está restringido, verifique que la manguera de descarga no esté enredada y elimine todos los pliegues, acodamientos u obstrucciones en la manguera.
  5. Si la bomba funciona de forma continua, desconecte la unidad. Una vez desenchufada, extraiga el filtro y verifique que no hayan quedado desechos adentro del sensor. Quite las hojas, los desechos o la suciedad que estén atrapados.
  6. Cuando la temperatura descienda por debajo de la temperatura de congelamiento, retire la bomba de servicio y guárdela en un ambiente cerrado para protegerla del daño que provoca el hielo. La bomba tiene un circuito de protección especial que protege al motor de una condición de bloqueo del impulsor causada posiblemente por la acumulación de desechos o de una situación de congelamiento del impulsor causada por la formación de hielo. Cuando la bomba está activada y se detecta una condición de bloqueo del impulsor, la unidad se apaga automáticamente para evitar que el motor se sobrecaliente. La bomba continuará este ciclo de encendido/apagado durante un tiempo para intentar “liberar” al impulsor y finalmente permanecerá apagada durante 12 horas controlando dos veces por día si el impulsor se ha “liberado”. Una vez que la bomba pueda funcionar correctamente, retomará su operación normal. Para reajustar este retraso sin esperar 12 horas desenchufe momentáneamente la bomba.

**PELIGRO:** NO use la bomba si alguna parte de la caja del interruptor o la sonda estuviera rajada, rota o faltara.

### **ALTURA DE BOMBEO**

Cuando se bombea agua a una posición elevada, cualquier volume que no haya llegado a la salida de descarga puede volver a fluir por la bomba cuando la misma se apaga. Este reflujo puede hacer que el nivel de agua en áreas pequeñas suba hasta volver a encender la bomba. En esta situación, se necesita el reductor de la válvula de retención que se suministra. Para un funcionamiento correcto, asegúrese de que la válvula de retención esté orientada como lo indica el cuerpo de la válvula.

**NOTA:** En áreas pequeñas, se necesita una válvula de retención para evitar el reflujo. Sin una válvula de retención, la bomba puede funcionar continuamente en ciclo y posiblemente desgastar sus componentes.

# SOLUCIÓN DE PROBLEMAS

**PELIGRO:** Peligro de electrocución! La bomba arranca en forma automática. Desconecte la energía antes de intentar realizar cualquier reparación. Si no lo hace, se PRODUCIRÁN lesiones graves o la muerte.

Problema	Causa Posible	Acción Correctiva
La bomba no prende o no funciona	<ol style="list-style-type: none"> <li>1. Se disparó el disyuntor</li> <li>2. Se disparó el GFCI</li> <li>3. Bajo voltaje de la línea</li> <li>4. Motor defectuoso</li> <li>5. Interruptor sucio</li> <li>6. Impulsor obstruido</li> <li>7. Rejilla o filtro de entrada obstruidos</li> <li>8. Orificio de cebado obstruido</li> </ol>	<ol style="list-style-type: none"> <li>1. Reinicie el disyuntor</li> <li>2. Verifique que no haya cables dañados ni humedad</li> <li>3. Póngase en contacto con un electricista</li> <li>4. Reemplace la bomba</li> <li>5. Enjuague el interruptor con agua limpia</li> <li>6. Extraiga el filtro, la base y la placa del impulsor, verifique que no tengan desechos y limpie todas las piezas</li> <li>7. Limpie la rejilla de entrada y el filtro de desechos</li> <li>8. Limpie el orificio, dentro de la caja del espiral, con un alfiler o un gancho para papel</li> </ol>
La bomba arranca y se detiene con muchas veces	<ol style="list-style-type: none"> <li>1. Reflujo de agua desde la tubería</li> <li>2. Interruptor sucio</li> <li>3. Orificio de cebado obstruido</li> <li>4. La bomba está desnivelada sobre la cubierta de la piscina o hidromasaje</li> </ol>	<ol style="list-style-type: none"> <li>1. Instale o reemplace la válvula de retención</li> <li>2. Enjuague el interruptor con agua limpia</li> <li>3. Limpie el orificio, dentro de la caja del espiral, con un pasador o un gancho para papel</li> <li>4. Reubique la bomba de forma que esté nivelada sobre la cubierta</li> </ol>
La bomba no se apaga o funciona de forma continua	<ol style="list-style-type: none"> <li>1. Desechos en el interruptor</li> <li>2. La altura de descarga excede la capacidad</li> </ol>	<ol style="list-style-type: none"> <li>1. Enjuague el interruptor con agua</li> <li>2. Reduzca la altura de descarga</li> </ol>
La bomba funciona pero sale muy poco o nada de agua	<ol style="list-style-type: none"> <li>1. Impulsor obstruido</li> <li>2. Orificio de cebado obstruido</li> <li>3. Manguera obstruida</li> <li>4. La altura de descarga excede la capacidad</li> <li>5. Filtro obstruido</li> </ol>	<ol style="list-style-type: none"> <li>1. Extraiga el filtro, la base y la placa del impulsor, verifique que no tengan desechos y limpie todas las piezas</li> <li>2. Limpie el orificio, dentro de la caja del espiral, con un alfiler o un gancho para papel</li> <li>3. Verifique que no haya pliegues, cambie de lugar la manguera o verifique que no haya desechos</li> <li>4. Reduzca la altura de descarga</li> <li>5. Desconecte la bomba. Extraiga el filtro y enjuáguelo con agua limpia para eliminar desechos</li> </ol>

## K2 Pumps Garantía Limitada

### LO QUE CUBRE ESTA GARANTÍA

Esta Garantía Limitada entra en vigor a partir del 1 de septiembre de 2020 y reemplaza todas las garantías sin fecha y aquellas con fechas anteriores al 1 de septiembre de 2020.

K2 Pumps (K2) le garantiza al comprador original (Usted) que sus productos no tendrán defectos de origen en términos de materiales y fabricación durante un año como mínimo (la garantía varía en función del modelo; consultar la caja o el sitio web de K2 para obtener información específica sobre la garantía) a partir de la fecha de la compra (el Plazo de la Garantía). Las partes de repuesto y los accesorios tienen una garantía de 90 días a partir de la fecha de la compra. Durante el Plazo de la Garantía, K2 reparará o reemplazará, sin costo para usted, los productos que K2 haya examinado y determinado como defectuosas en términos de materiales o fabricación.

**No vuelve al almacén.**

**Para comunicarse a Soporte técnico profesional, Servicio de atención al cliente de la llamada 844-242-2475**

### LO QUE NO CUBRE ESTA GARANTÍA

Esta garantía no cubre: El uso del producto en un ambiente no residencial, instalación incorrecta y/o mantenimiento incorrecto del producto, daño a causa del uso indebido, actos sobrenaturales, actos de la naturaleza, vandalismo u otros actos fuera del control de K2, acciones u omisiones del propietario, el uso fuera del país en el que el producto fue comprado inicialmente y la reventa del producto por el propietario inicial. Esta garantía no cubre el recogido, el envío, la transportación o las reparaciones en casa. Sin embargo, si usted manda su producto por correo al departamento de ventas y servicios de K2 para servicios que cubre la garantía, el costo del envío será pagado únicamente de ida. Esta garantía no se aplica a productos comprados fuera de los Estados Unidos, incluyendo sus territorios y posesiones, fuera del Intercambio Militar de los Estados

Unidos y fuera de Canadá. Esta garantía no cubre productos comprados por distribuidor, comerciante o concesionario no autorizado por K2.

### OTROS TÉRMINOS IMPORTANTES

Esta garantía no es transferible ni podrá ser asignada. Esta garantía será gobernada e interpretada bajo las leyes del estado de Michigan. El Periodo de Garantía no será extendido por ningún reemplazo ni reparación realizado bajo esta garantía. **ESTA GARANTÍA ES LA GARANTÍA Y RECURSO PROVISTO POR K2. TODAS LAS DEMÁS GARANTÍAS, EXPLÍCITAS O IMPLÍCITAS, INCLUYENDO GARANTÍAS O COMERCIABILIDAD O QUE SEA ACOPLADA PARA ALGÚN PROPOSITO EN PARTICULAR, SON DENEGADAS. EN NINGÚN CASO K2 SERÁ RESPONSABLE POR CUALQUIER DAÑO ESPECIAL, INDIRECTO, INCIDENTAL O CONSECUENTE DE CUALQUIER TIPO O ÍNDOLE AL PROPIETARIO O CUALQUIER INDIVIDUO HACIENDO LA RECLAMACION POR EL PROPIETARIO YA SEA BASADO EN CONTRATO, NEGLIGENCIA, AGRAVIO O ESTRICTA RESPONSABILIDAD DEL PRODUCTO O QUE SE DERIVE DE ALGUN OTRO TIPO DE CAUSA.** Algunos estados no permiten la exclusión de daños consecuentes. Así que la exclusión antes mencionada podría no ser aplicable a usted. Esta garantía le ofrece derechos **específicos**. Usted también podría tener otros que varíen de estado a estado.

**GP Enterprises Co., Ltd. 1436 Brook Drive, Downers Grove, IL 60515**

**Teléfono: 844-242-2475 / Web: [www.K2Pumps.com](http://www.K2Pumps.com)**



