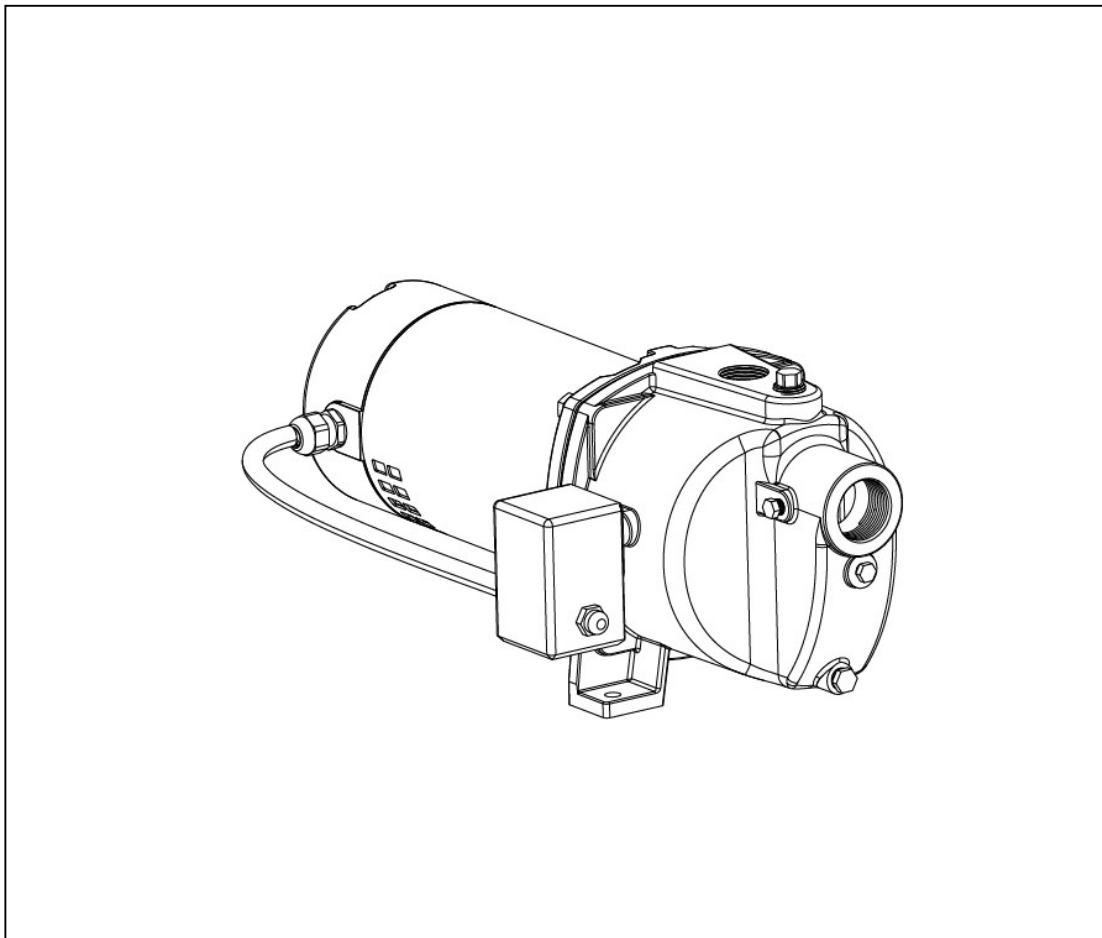




Model: WPS05004K/ WPS07504K

# OWNER'S MANUAL

## SHALLOW WELL JET PUMP



Questions, problems, missing parts? Before returning to the store call

K2 Customer Service 8 a.m. - 6 p.m., EST, Monday-Friday

**1-844-242-2475**

[www.K2pumps.com](http://www.K2pumps.com)

# PERFORMANCE

Model No.	HP	GPM of Water @Total Discharge Pressure of 40 psi						Max. Pressure shutoff	Voltage	Pressure switch	
		0 ft.	5 ft.	10 ft.	15 ft.	20 ft.	25 ft.			ON	OFF
WPS05004K	1/2	14.5	13.5	12.5	11.3	9.2	7	70PSI	230/115	30	50
WPS07504K	3/4	19.5	18.5	17.5	15.5	13.5	10	72PSI	230/115	30	50

# SAFETY INSTRUCTIONS

1. Pump clear water ONLY with this pump. Do not pump flammable or explosive liquids such as oil, gasoline, kerosene, ethanol, etc. Do not use in the presence of flammable or explosive vapours. Using this pump with or near flammable liquids can cause an explosion or fire, resulting in property damage, serious personal injury, and/or death.
2. ALWAYS disconnect the power to the pump before servicing.
3. Do not touch the motor housing during operation. The motor is designed to operate at high temperatures. Do not disassemble the motor housing.
4. Do not handle the pump or pump motor with wet hands or when standing on a wet or damp surface, or in water.
5. Wear safety goggles at all times when working with pumps
6. This is a dual voltage 115/230V pump. To change voltage to 115V, please open the terminal cover and set the switch to the proper voltage. All wiring should be performed by a qualified electrician.
7. Protect the electrical cord from sharp objects, hot surfaces, oil, and chemicals. Avoid kinking the cord. Do not use damaged or worn cords.
8. Ensure the electrical power supply is adequate for the requirements of the pump.
9. Failure to comply with the instruction and designed operation of this unit may void the warranty. ATTEMPTING TO USE A DAMAGED PUMP can result in property damage, serious personal injury, and/or death.
10. The pump should be connected to a grounded circuit equipped with a grounded fault interrupter device (GFCI).
11. Know the pump and its applications, limitations, and potential hazards.
12. Secure the pump to a solid base.
13. Periodically inspect the pump and system components. Disconnect the pump from the power supply before inspecting.
14. Follow all local electrical and safety codes, along with the National Electrical Code (NEC). In addition, all Occupational Safety and Health Administration (OSHA) guidelines must be followed.
15. The motor of this pump has a thermal protector that will trip if the motor becomes too hot. The protector will reset itself once the motor cools down and an acceptable temperature has been reached. The pump may start unexpectedly if it is plugged in.
16. This pump is made of high-strength, corrosion-resistant materials. It will provide trouble-free service for a long time when properly installed, maintained, and used. However, inadequate electrical power to the pump, dirt, or debris may cause the pump to fail. Please carefully read the manual and follow the instructions regarding common pump problems and remedies.
17. Keep fingers and foreign objects away from ventilation and other openings. Do NOT insert any objects into the motor.

**CAUTION:** Do not touch an operating motor. Modern motors are designed to operate at high temperatures. To avoid burns when servicing the pump, allow it to cool for 20 minutes after shut-down before handling.

Do not allow pump or any system component to freeze. To do so will void warranty.

Periodically inspect the pump and system components.

Keep the work area clean, uncluttered and properly lighted; store properly all unused tools and equipment.

Keep visitors at a safe distance from the work areas.

**WARNING:** This pump is designed for indoor installation only. Failure to install indoors will significantly increase the risk of injury or death from electrical shock

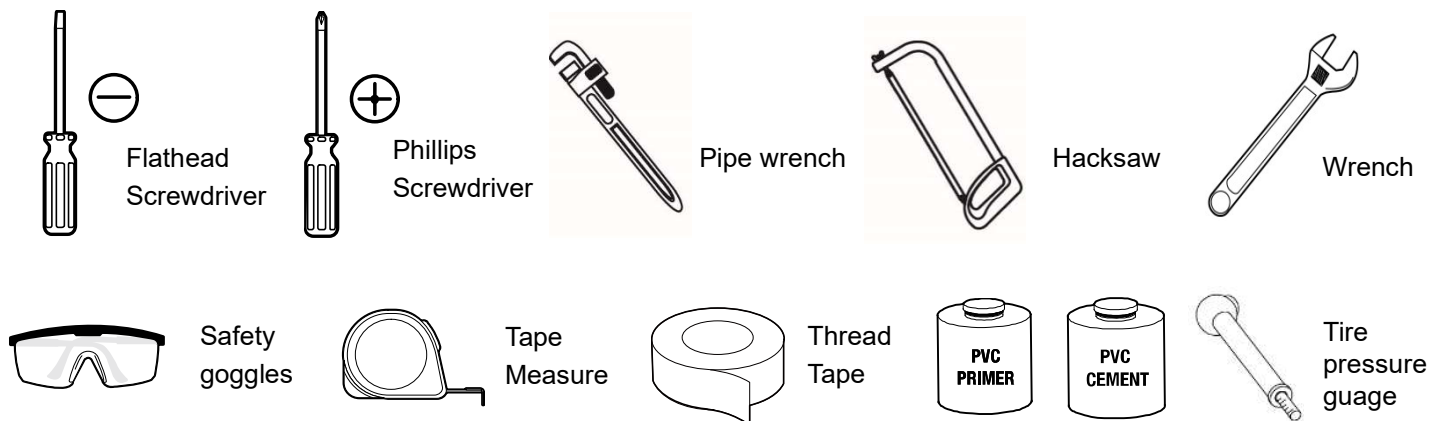
# PRE-INSTALLATION

## APPLICATION

This unit is a single stage jet pump designed for shallow water well applications, where the water level is less than 25 ft. deep. If the water level to the pump is deeper than 25 ft., a convertible jet pump or a deep well submersible pump should be used. A pressure switch pre-set at 30 psi "on", 50 psi "off" has been installed on the pump. The pressure switch will automatically turn the pump on and off based on the system pressure.

**Do not use for sewage pumps, if do this, will void the warranty.**

## TOOLS REQUIRED



## SPECIFICATIONS

<b>POWER SUPPLY</b>	115V/230V, 60 HZ., 20/15 Amp Circuit
<b>LIQUID TEMP. RANGE</b>	32°F to 95°F (0°- 35°C)
<b>DISCHARGE SIZE</b>	1 in. FNPT
<b>SUCTION SIZE</b>	1-1/4 in. FNPT
<b>SHALLOW WELL WATER LEVEL</b>	25 ft.

## DETERMINE THE DEPTH OF YOUR WELL

Tie a small but heavy weight to the end of a piece of string. Lower the weight into the well until it reaches the bottom. Make a mark on the string at ground level. Pull the weight out of the well and measure from the bottom of the weight to the ground level mark. This is the depth of your well. Subtract 5 ft. from the depth of your well. This number should not exceed the maximum rated depth for your pump. If it does, it will greatly hinder or prevent the proper operation of the pump.

## LOCATION OF THE PUMP

Decide on the area for the pump installation. Select a pump location with adequate space for future pump maintenance. It can be located in the basement or utility room of the house, at the well, or between the house and the well. If installed outside of the house, it should be protected by a pump house with auxiliary heat to prevent possible freezing. Protect the pump against flooding and excess moisture. The well also should be protected for sanitary reasons. Mount the pump as close to the well as possible.

## TANKS - PRE-CHARGED STORAGE

For best performance of the pump, it is recommended that you use a diaphragm pressure tank (sold separately). It is best to have this in place before installing the pump. A pre-charged storage tank has a flexible bladder or diaphragm that acts as a barrier between the compressed air and water. This barrier prevents the air from being absorbed into the water and allows the water to be acted on by compressed air at initially higher than atmospheric pressures (pre-charged). More usable water is provided than with a conventional type tank.

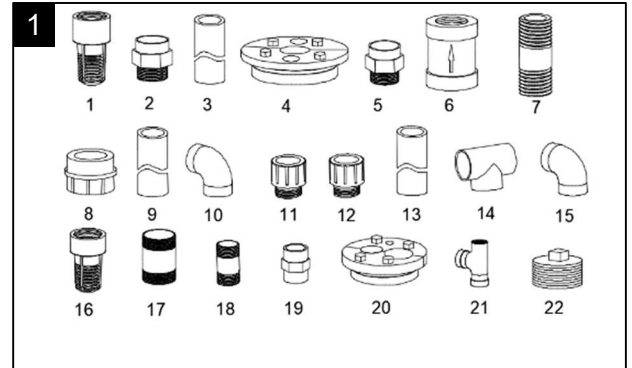
Air pressure in the tank must be 2 psi lower than the "cut-in" of the pressure switch.

**CAUTION:** In order for the pump and tank to operate properly, the pressure tank needs to be drained of all water BEFORE INSTALLING THE NEW PUMP. After draining, if you are using the supplied 30/50 psi pressure switch at the pre-set settings, add or adjust the air pressure in the tank to 28 psi of pressure BEFORE start up.

## PREPARATION

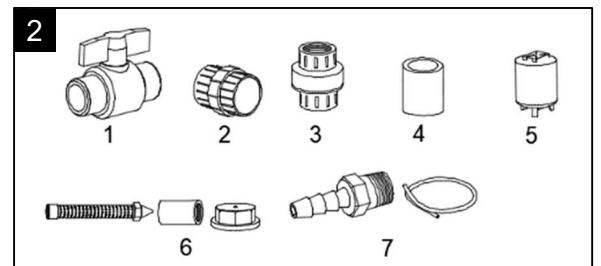
### Parts you may need for assembly not include (Fig.1)

Item	Description	Item	Description
1	1-1/4in.Brass Foot Valve	12	3/4in. PVC MPT×S Male Adapter
2	1-1/4in.PVC MPT×S Male Adapter	13	3/4in.PVC rigid Pipe
3	1-1/4in.PVC rigid Pipe	14	3/4in.CPVC CTC Socket Tee Fitting
4	Well Seal Single Pipe	15	3/4in.PVC 90-Degress S×S Elbow
5	1in. PVC MPT×S Male Adapter	16	1-1/2in.Brass Foot Valve
6	1-1/4in.Lead Free Brass Check Valve	17	1-1/2in.×3in. Galv. Steel Nipple
7	1-1/4in.×3in. Galv. Steel Nipple	18	1in.×3in.Galv. Steel Nipple
8	1-1/4in.PVC FPT×S Female Adapter	19	1in.PVC FPT×S Female Adapter
9	1in.PVC rigid Pipe	20	4in.Well Seal Double Pipe
10	1in.PVC 90-Degress S×S Elbow	21	1-1/4in.PVC Tee FPT× FPT× FPT
11	1in.×3/4in.PVC Reducing Male Adapter	22	1-1/4in.Galvanized Plug



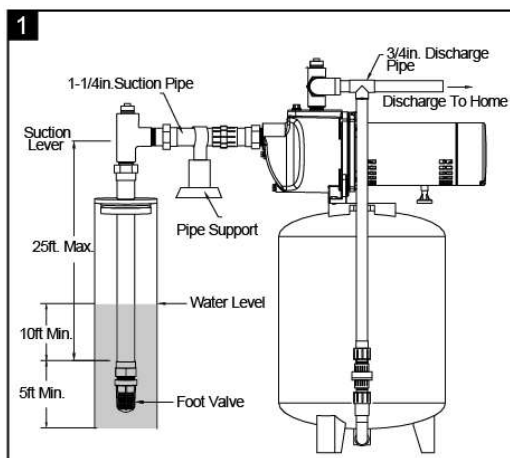
### Optional Parts For Assembly not included (Fig.2)

Item	Description	Item	Description
1	3/4in.Slip×Slip Ball Valve	5	20 Gal. or larger Tank
2	1-1/4in. PVC Slip×Slip Union	6	Well point, Drive Coupling, Drive Cap
3	3/4in. PVC FPT×FPT Union	7	1/8in.AVC control kit
4	1-1/4in.PVC Coupling 1in.PVC Coupling 3/4in.PVC Coupling		

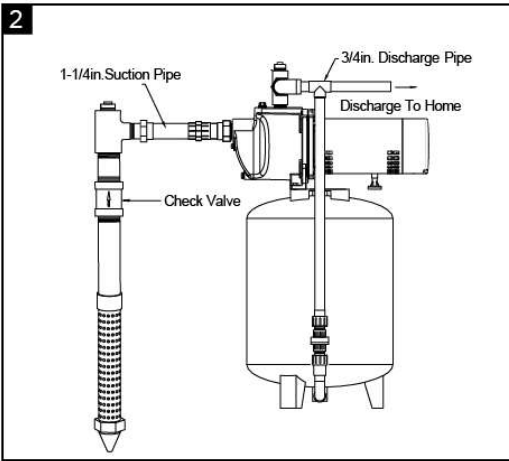


## SHALLOW WELL APPLICATION

Shallow well systems are identified by one pipe going to the well, lake or river.

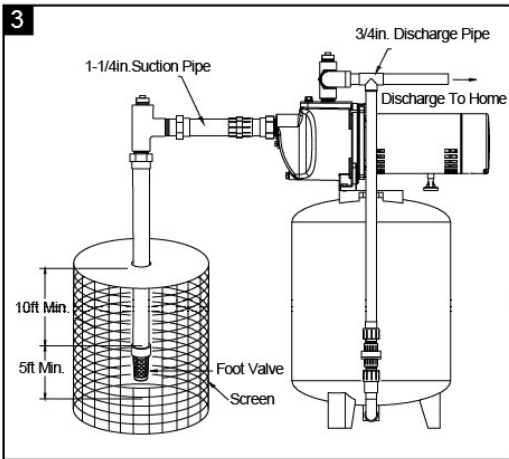


**1. CASED WELL APPLICATION, 4" OR LARGER CASING (Fig.1)**  
A hole bored into the earth with machinery. Depths range from a few feet to 25 feet. Common well diameters are 4", 5", 6" and 8" for domestic water wells.



## 2. WELL POINT (DRIVEN POINT) APPLICATION (Fig.2)

Pipe with a pointed screen is driven into the ground below the water table. The depth is usually less than 25 feet. Available diameters are 1" through 2".



## 3. APPLICATION FOR SURFACE WATER (Fig.3)

One pipe goes into lake, river, cistern or ponds, suction lift is less than 25'.

Install a screen around the inlet pipe to prevent the entrapment of swimmers, wildlife and debris.

**CAUTION:** Possible contamination. Do not use surface water for drinking. The installation shown could be used for sprinkler applications.

# INSTALLATION

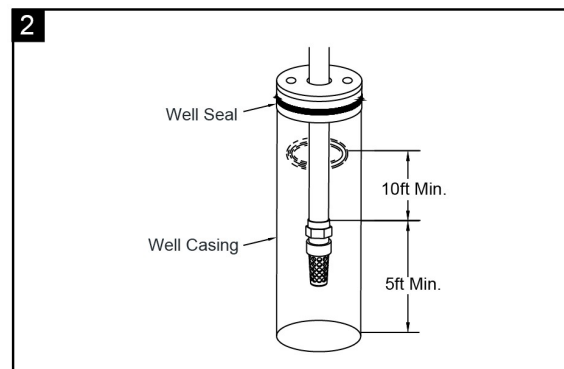
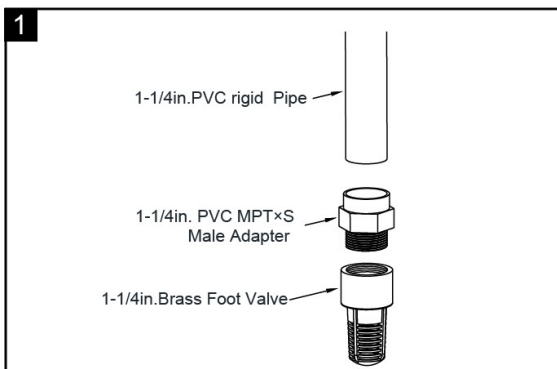
Flexible pipe is prohibited on suction pipe (inlet pipe). Unions or hose couplings can be installed near pump to facilitate removal for servicing or storage. A rubber hose installed between the water system and the house piping will reduce the noise transmitted to the house.

## 1. INSTALLING PIPING IN WELL

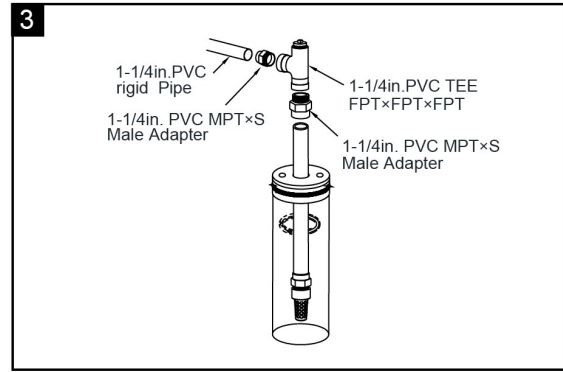
**CAUTION:** Dry-fit entire assembly to ensure proper fit before gluing or taping parts. Follow all proper gluing procedures as specified by the glue manufacturer. Always glue in a vertical direction whenever possible to prevent glue from dripping inside pipe or fittings. Use pipe tape and pipe paste compound on all male threads. Tighten with wrench to a snug fit and add another 1/4 turn to ensure proper seal.

### For Cased well Installation

1. Connect 1-1/4 in. Brass Foot Valve to 1-1/4 in. PVC MPT×S Male Adapter. Cement adapter to 1-1/4 in. PVC rigid Pipe. All connections must be air- and water-tight for pump to operate correctly. (Fig 1)
2. Install well seal over 1-1/4 in. PVC rigid Pipe and into well casing. Position the foot valve 5 feet above bottom of well and at least 10 feet below the well's water level. (Fig 2)

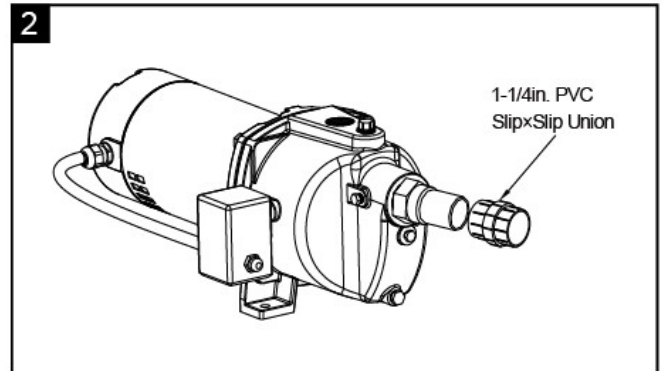
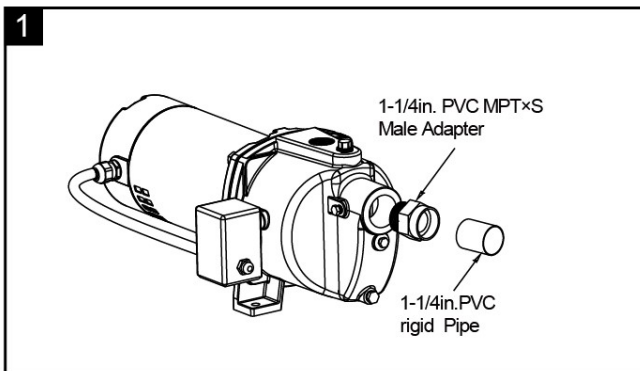


- Cement 1-1/4in. PVC MPT×S Male Adapter into 1-1/4 in. PVC rigid pipe. Install 1-1/4in.PVC TEE FPT×FPT×FPT to adapter. One end of horizontal port installs another 1-1/4in. PVC MPT×S Male Adapter and 1-1/4 in. PVC rigid pipe. Add sections of pipes to reach the 1-1/4in. PVC Slip ×Slip Union (optional). (Fig. 3)

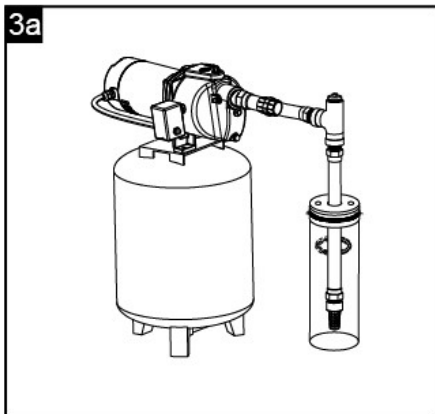


## 2. WELL TO PUMP CONNECTION

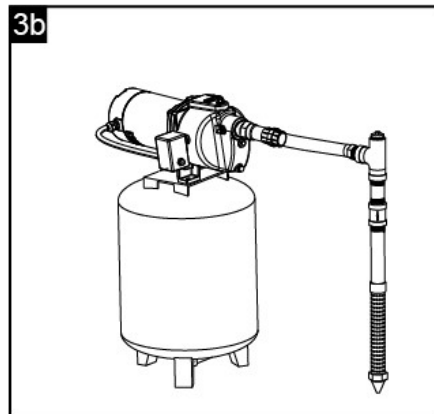
- Thread 1-1/4in. PVC MPT×S Male Adapter into pump. Cement a short horizontal 1-1/4 in. PVC rigid Pipe into adapter. (Fig .1)
- Cement a 1-1/4in. PVC Slip× Slip Union into a short horizontal 1-1/4 in. PVC rigid Pipe. Slopes all inlet piping slightly upward from well to the pump to prevent trapping air. (Fig.2)



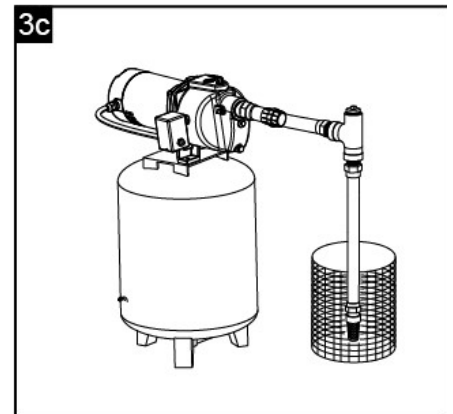
- Completed installation is shown Fig. 3a.3b.3c.



For Cased well



For Well Point



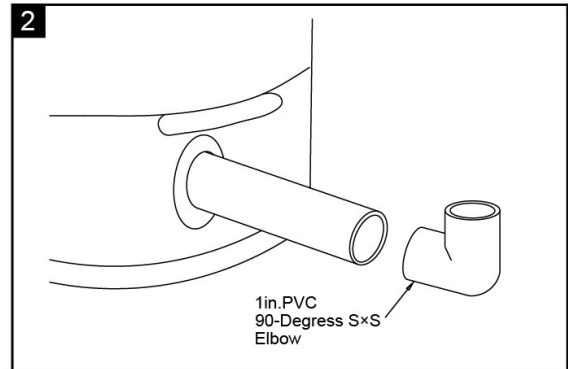
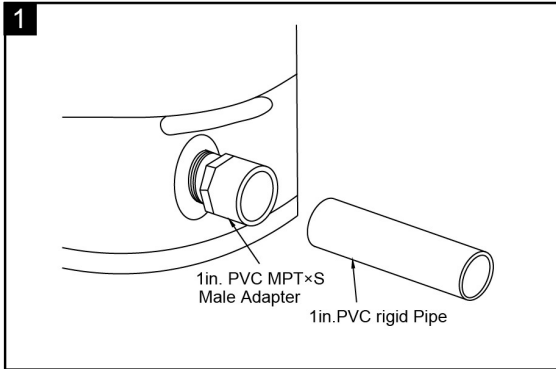
For Surface water

### 3. PUMP TO PRESSURE TANK AND TO HOUSE CONNECTION

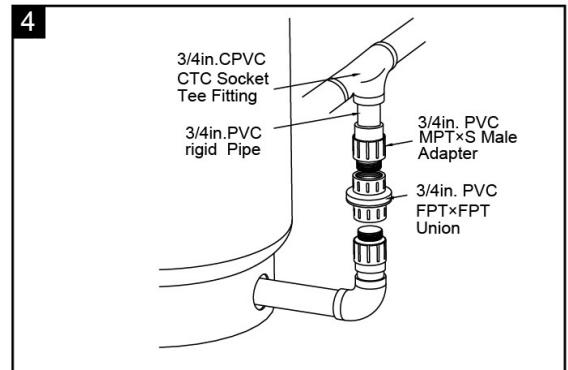
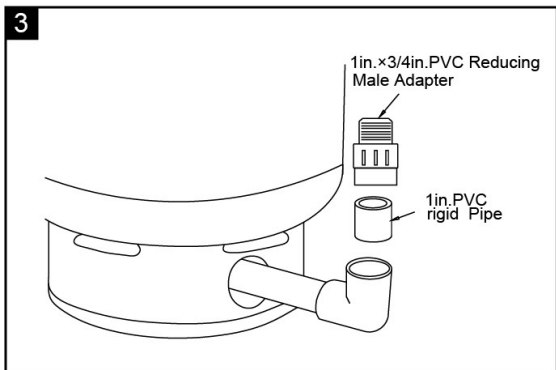
**NOTE:** The pump must be within 4' of the tank to prevent switch chatter. Check the tank recharge on a yearly basis.

#### Pre-Charge Tank Connection

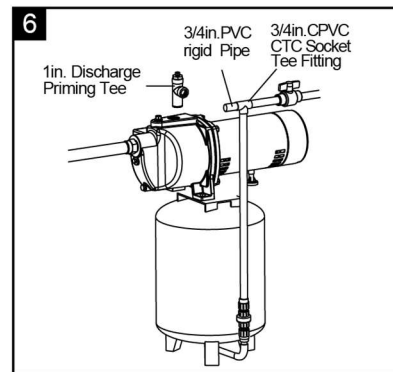
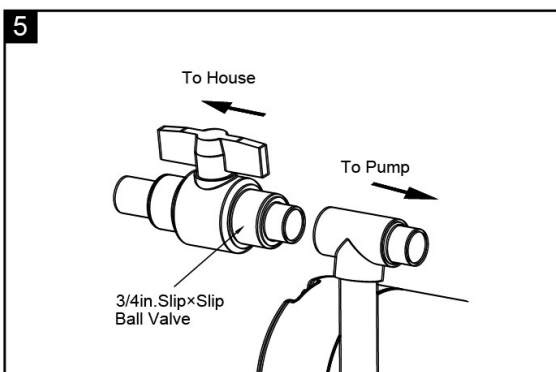
1. Most pressure tanks will have a 1in. inlet elbow on the bottom. Connect to this elbow with a 1in. PVC MPT×S Male Adapter and a short piece of 1in.PVC rigid Pipe. (Fig. 1)
2. Cement a 1in.PVC 90-Degress S×S Elbow. (Fig. 2)



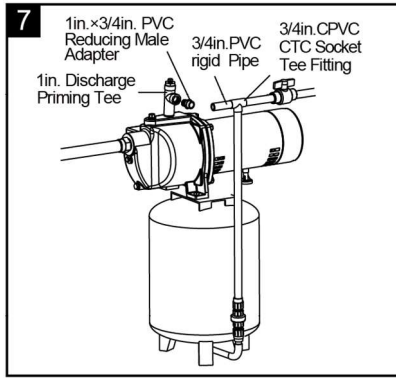
3. Cement a 1in.PVC rigid Pipe into elbow then cements a 1in.×3/4in.PVC Reducing Male Adapter. (Fig. 3)
4. Cement a 3/4in.PVC rigid Pipe into a 3/4in. CPVC CTC Socket Tee Fitting. Cement 3/4in. PVC MPT×S Male Adapter into 3/4in.PVC rigid Pipe that connect with a 3/4in. PVC FPT×FPT Union. (Fig. 4)



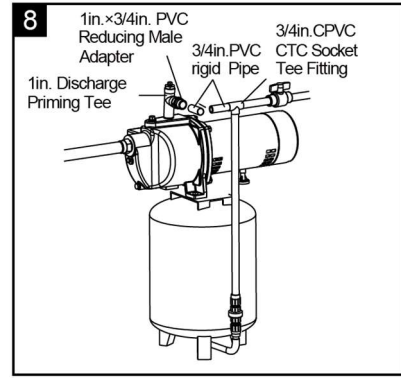
5. Make the connection to the house plumbing. From the tee, install pipe and 3/4in.Slip×Slip Ball Valve (optional). (Fig. 5)
6. Install a 1 in. male NPT x 1 in. female NPT x 1 in. female NPT galvanized tee to the outlet of the pump. (Fig. 6)



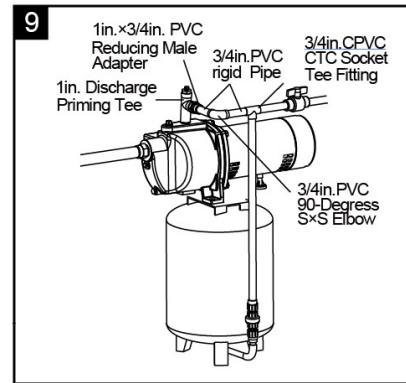
7. Install a 1in.×3/4in.PVC Male Adapter to the galvanized tee. (Fig. 7)



8. Install a short 3/4in.PVC rigid Pipe. (Fig. 8)



9. Completed well installation with piping and tank is shown (Fig. 9)



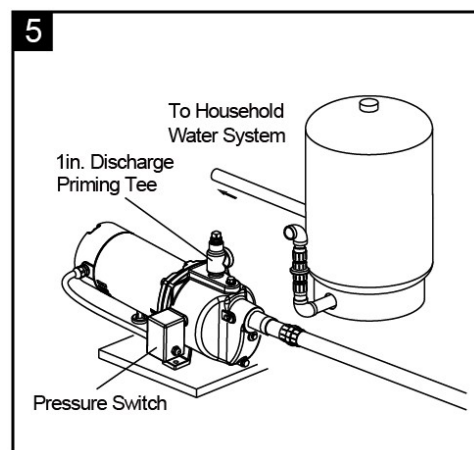
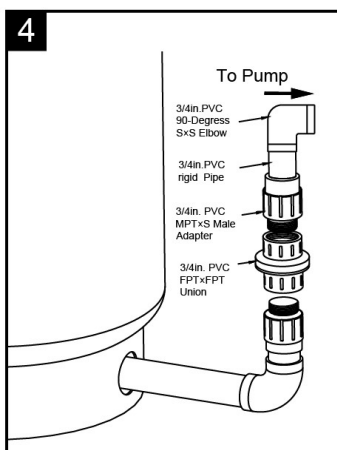
**NOTE:** If a pre-charged tank becomes waterlogged, the bladder is normally leaking or broken.

1. Test the tank by depressing the air valve. The air valve will expel water if the bladder is broken.
2. Replace the tank. Once a bladder is leaking or broken, the bladder cannot be repaired. The tank must be replaced.

## **Standard Tank (CONVENTIONAL TYPE) Connection**

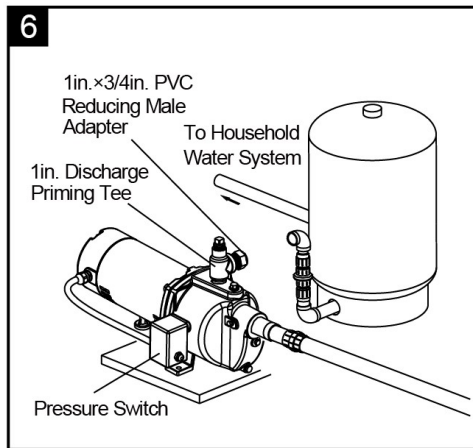
From step 1 to 3 is the same as Pre-Charge Tank Connection.

4. Cement 3/4in.PVC rigid Pipe into 3/4in.PVC 90-Degress S×S Elbow. Cement 3/4in. PVC MPT×S Male Adapter into 3/4in.PVC rigid Pipe that connect with a 3/4in. PVC FPT×FPT Union. (Fig. 4)
5. Install a 1 in. male NPT x 1 in. female NPT x 1 in. female NPT galvanized tee to the outlet of the pump. (Fig. 5)

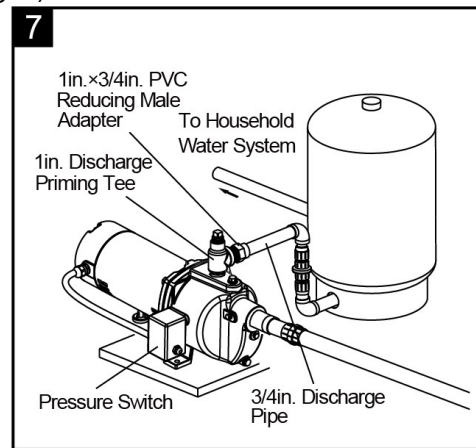




6. Install a 1in.×3/4in.PVC Male Adapter to the galvanized tee. (Fig. 6)

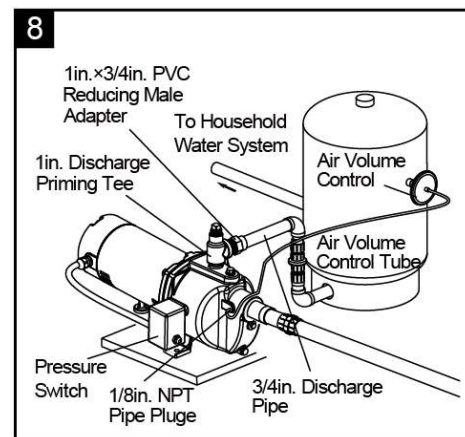


7. Install a short 3/4in.PVC rigid Pipe, Then completed installation with piping and tank is shown (Fig. 7)



8. Remove the 1/8" NPT pipe plug from the pump Air Volume Control (AVC) port. Near the top tapping of the pump face, thread a 1/8 in barbed barb x MIP adapter fitting into the pump's AVC port. Run tubing from the pump's AVC port to the port on the AVC mounted on the tank. You have just completed the tank connection for your shallow well jet pump. (Fig. 8)

**NOTE:** As the pump refills the tank with water, the air volume control supplies the tank with the correct air to water ratio for the system to operate. If the air volume control is good, the pump will shut off at the desired cut-off setting and will be adjusted correctly.



## PUMP ELECTRICAL CONNECTIONS

**WARNING: Risk of electric shock.** Can shock, burn or kill. Disconnect power before working on pump, motor, pressure switch, or wiring.

### To change from 230V to 115V

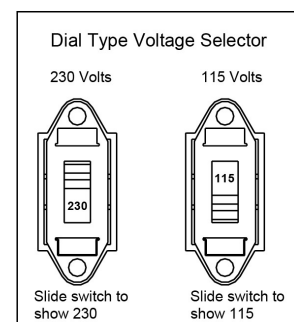
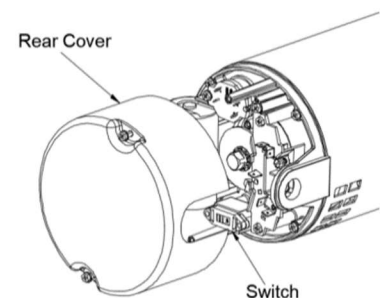
The motor is 115/230 Volt single phase and pre-wired at 230 volts.

If the power supply is 115 volts, remove the rear cover of motor.

Slide the switch to show 115 Volt.

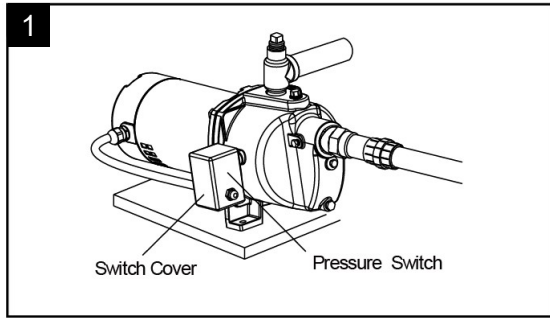
Replace the rear cover of motor.

**WARNING: Risk of electric shock.** Can shock, burn or kill. Be sure power is off. **Never** connect a motor set to 115 V to a 230 V power supply.

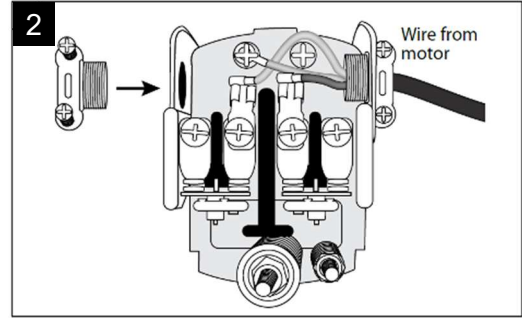


## Wiring The Pressure Switch

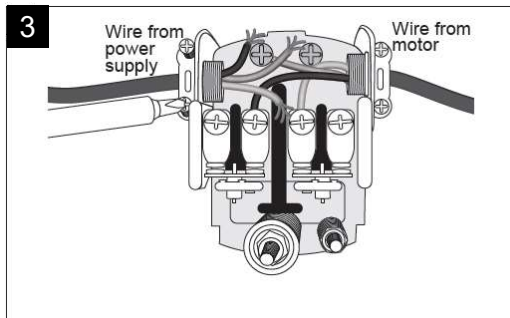
1. Remove the switch Cover that installed the Pressure Switch. (Fig. 1)



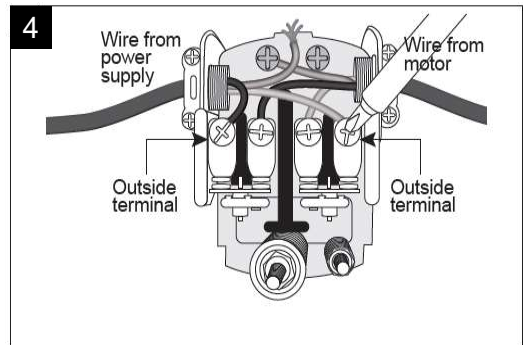
2. Insert an electrical wire strain relief into the opening in the opposite side of the pressure switch (Fig. 2)



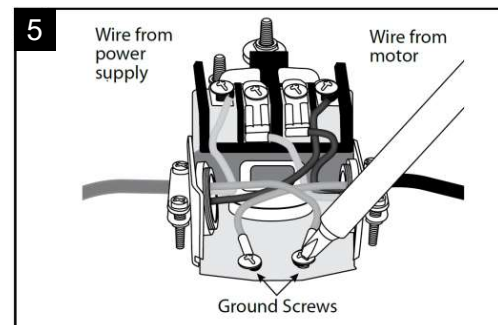
3. Pass the cable from the power supply through the strain relief and tighten both screws on the strain relief. Do not crush wire. (Fig. 3)



4. Connect the two wires from the power supply to the two outside terminals on the pressure switch (Fig. 4)



5. Connect the green ground wire from the power supply to the green ground screw in the pressure switch (Fig. 5).



**Risk of electric shock.** Can shock, burn or kill. Connect ground wire before connecting power supply wires. Use the wire size (including the ground wire) specified in the wiring chart. If possible, connect the pump to a dedicated branch circuit (one with no other appliances on it).

**Risk of explosion.** Do not ground to a gas supply line.

**WARNING: Risk of fire.** Incorrect voltage can cause a fire or seriously damage the motor and voids the warranty. The supply voltage must be within  $\pm 10\%$  of the motor nameplate voltage.

**NOTE:** Motors voltage were set for 230 V. If necessary, reset the motor to the desired voltage, as shown. Install, ground, wire, and maintain your pump in compliance with the National Electrical Code (NEC) or the Canadian Electrical Code (CEC), as applicable, and with all local codes and ordinances that apply. Consult your local building inspector for code information.

## Wiring Chart – Recommended Wire and Fuse Sizes

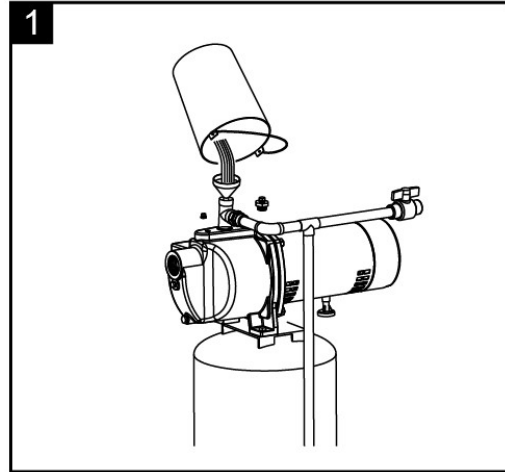
Motor HP	Volts	Max. Load Amp	Branch Fuse Rating Amp	DISTANCE IN FEET FROM MOTOR TO SUPPLY					
				0 - 50	51 - 100	101 - 200	201 - 300	301 - 400	401 - 500
				AWG WIRE SIZE (mm2)					
1/2	115/230	12.4/6.2	15/15	14/14 (2/2)	14/14 (2/2)	12/14 (3/2)	10/12 (5/3)	8/12 (7/3)	8/10 (7/5)
3/4	115/230	15.8/7.9	20/15	14/14 (2/2)	14/14 (2/2)	10/14 (5/2)	8/14 (7/2)	8/14 (7/2)	6/12 (9/3)

# PUMP PRIMING&STARTUP

**CAUTION: Risk of burns.** Never run pump dry. Running pump without water may cause pump to overheat, damaging seal and possibly causing burns to persons handling pump. Fill pump with water before starting.

**WARNING: Risk of explosion and scalding.** Never run pump against closed discharge. To do so can boil water inside pump, causing hazardous pressure in unit, risk of explosion and possibly scalding persons handling pump.

1. Remove the priming plug or tee from the pump and fill the pump, fill all piping between the pump and the well, and make sure that all piping in the well is full. If you have also installed a priming tee in the suction piping, remove the plug from the tee and fill the suction piping. (Fig. 1)



2. Replace all fill plugs, Open the faucet closest to the pump/tank a small amount to allow air to escape the system.
3. Power on! Start the pump.
4. If you don't have water after 2 or 3 minutes, stop the pump and remove the fill plugs. Refill the pump and piping. You may have to repeat this several times in order to get all the trapped air out of the piping.
5. After the pump begins building pressure in the system, shut the faucet off. Let the pump build pressure until it shuts off. Check the pressure switch operation by opening a faucet or two and running enough water out to bleed off pressure until the pump starts. The pump should start when pressure drops to 30 PSI and stop when pressure reaches 50 PSI. Run the pump through one or two complete cycles to verify correct operation. This will also help clean the system of dirt and scale dislodged during installation.

If you were unsuccessful, please refer to Troubleshooting or call our customer service technical staff.

# CARE AND MAINTENANCE

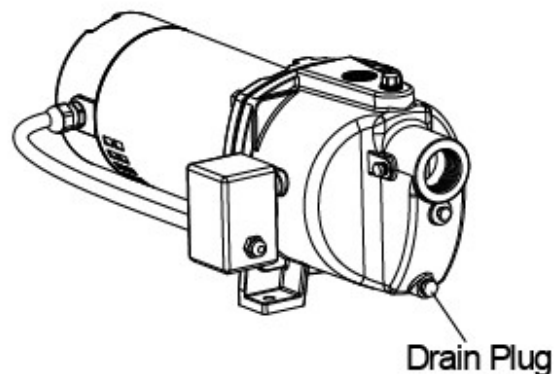
**WARNING:** Disconnect power and release all pressure from the system before attempting to install, service, relocate or perform any maintenance.

## Winterizing

**CAUTION:** Drain the entire system if there is danger of freezing. A drain plug is provided at the bottom of the pump case for this purpose

Drain openings are provided on all models to drain the pump:

- Unplug the pump from power supply outlet.
- Remove drain plug close to the inlet hole.
- Drain all piping to a point below the freeze line. This will drain the pump.



**NOTE:** While this will drain the pump, it will not necessarily drain all the unprotected parts of the piping system. To drain tank, disconnect the piping at the tank outlet.

## SEAL ASSEMBLY REPLACEMENT

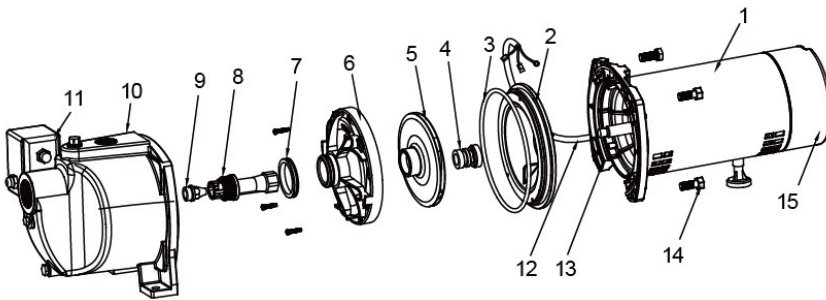
**CAUTION:** Make certain that the power supply is disconnected before attempting to service the unit! The rotary seal assembly must be handled carefully to avoid damaging the precision lapped faces of the sealing components.

1. Disengage pump body (Ref. No. 1) (Include diffuser 4. venturi 3) from motor mounting ring (Ref. No. 8).
2. Remove the rear cover (Ref. No. 11). Remove the impeller(Ref. No. 5) use a 9/16" open end wrench to hold the motor shaft.
3. The rotary seal (Ref. No. 6) will come loose at this time. Use a screwdriver (or similar instrument) to pry the silicon carbide seal from the recess of the Seal plate (Ref. No. 7). **Be careful not to damage the motor shaft or recess surface.**
4. Clean the recess and motor shaft thoroughly.
5. Install the new seal assembly.
  - a. Insert the silicon carbide seal and the rubber gasket into the recess of the Seal plate.

**NOTE:** To help facilitate installation, apply a drop of liquid soap to the outside diameter of the rubber gasket. Make certain that the polished surface of mechanical seal and motor shaft are kept clean and free of dirt and/or oil.

  - b. Slip the remaining parts of the rotary seal assembly onto the motor shaft.

**NOTE:** Apply a drop of liquid soap to the inside diameter of the rubber drive ring.
6. Replace the impeller and diffuser removed in Steps 2.
7. Reassemble the pump body to the motor and mounting bracket.



ITEM	DESCRIPTION	QTY.
1	Motor	1
2	Seal Plate Pressure Gauge	1
3	O -ring	1
4	Mechanical Seal Assembled, E-5/8"	1
5	Impeller	1
6	Diffuser	1
7	Diffuser Ring	1
8	Venturi	1
9	Nozzle	1
10	Pump Body	1
11	Pressure Switch	1
12	Lead Wire	1
13	Mounting Ring	1
14	Screws	4
15	Rear cover	1

# TROUBLE SHOOTING

**NOTE:** While this will drain the pump, it will not necessarily drain all the unprotected parts of the piping system. To drain tank, disconnect the piping at the tank outlet.

Problem	Possible Cause	Corrective Action
Pump does not start or run.	<ol style="list-style-type: none"> <li>1. The switch is off.</li> <li>2. There is a blown fuse or tripped breaker.</li> <li>3. The pressure switch contacts are dirty.</li> <li>4. The wires at the motor are loose or wired incorrectly.</li> </ol>	<ol style="list-style-type: none"> <li>1. Turn the power switch on.</li> <li>2. Replace the fuse or reset the circuit breaker.</li> <li>3. DISCONNECT THE POWER. File or clean the switch contacts.</li> <li>4. DISCONNECT THE POWER. Follow the wiring instructions to check and tighten the wires.</li> </ol>
Pump will not prime.	<ol style="list-style-type: none"> <li>1. The pump was primed improperly or air is trapped in the pipe.</li> <li>2. There is an air leak.</li> <li>3. The water level is below the suction pipe inlet.</li> <li>4. The foot valve is plugged or leaks.</li> </ol>	<ol style="list-style-type: none"> <li>1. DISCONNECT THE POWER. Adjust pump height and make the pipe slope down to the well. Remove the discharge tee and re-prime.</li> <li>2. Check all connections and fix the leakage.</li> <li>3. Lower the suction pipe. If the water level is more than 25 ft., use deep well installation.</li> <li>4. Clean or replace the foot valve.</li> </ol>
Pump operates but pumps little or no water.	<ol style="list-style-type: none"> <li>1. The foot valve is buried in sand or mud.</li> <li>2. The ejector or impeller is plugged.</li> <li>3. The foot valve or inlet strainer is clogged.</li> <li>4. The water level is below the maximum lift specification.</li> <li>5. The voltage is not correct.</li> <li>6. The pressure regulator is not set up correctly.</li> </ol>	<ol style="list-style-type: none"> <li>1. Lift the suction pipe.</li> <li>2. Clean the ejector or impeller.</li> <li>3. Clean or replace as necessary.</li> <li>4. Select a convertible jet pump.</li> <li>5. Check the voltage switch.</li> <li>6. Readjust the pressure regulator.</li> </ol>
Pump starts and stops too often.	<ol style="list-style-type: none"> <li>1. The tank was pre-charged incorrectly.</li> <li>2. There is a ruptured diaphragm/bladder (pre-charged tank)/or has no air cushion.</li> <li>3. The pipes are leaking.</li> <li>4. The foot valve leaks.</li> <li>5. The pressure switch is not adjusted correctly.</li> <li>6. The air charge is too low in the pre-charged tank</li> </ol>	<ol style="list-style-type: none"> <li>1. Add or release air as needed.</li> <li>2. Replace the tank/refill the air.</li> <li>3. Repair the pipe connections or replace the pipes.</li> <li>4. Repair or replace the foot valve.</li> <li>5. Closely look at the pressure gauge to see the pump On/Off points are around 30 psi/50 psi. If not, adjust or replace the pressure switch.</li> <li>6. DISCONNECT POWER and open faucets until all pressure is relieved. Using tire pressure gauge, check air pressure in the tank at the valve stem located on the tank. If less than pressure switch cut-in setting (30 psi), pump air into the tank from an outside source until air pressure is 2 psi less than the cut-in setting of the switch. Check the air valve for leaks (use soapy solution) and replace core if necessary.</li> </ol>
Pump does not shut off.	<ol style="list-style-type: none"> <li>1. Water level is lower than estimated.</li> <li>2. The pipes leak.</li> <li>3. The pressure switch is not set correctly.</li> </ol>	<ol style="list-style-type: none"> <li>1. Use a deep well installation.</li> <li>2. Locate and repair the leak or reconnect.</li> <li>3. Reset or replace the pressure switch.</li> </ol>

## K2 Pumps Limited Warranty

### WHAT THIS WARRANTY COVERS

This Limited Warranty is effective September 1, 2020 and replaces all undated warranties dated prior to September 1, 2020.

K2 Pumps (K2) warrants to the original consumer purchaser (You) that its products are free from original defects in material and workmanship for at least one year (warranty varies depending on model; see box or K2 website for specific warranty information) from the date of purchase (the Warranty Period). Repair Parts and Accessories are warranted for 90 days from the date of purchase. During the Warranty Period, K2 will repair or replace, at no cost to you, products that have been examined by K2 and found to be defective in materials or workmanship.

***Do not return product to the retail store.***

***For technical support and parts, call K2 Customer Service at 844-242-2475.***

### WHAT THIS WARRANTY DOES NOT COVER

This Warranty does not cover use of the product in a non-residential application, improper installation and/or maintenance of the product, damage due to misuse, acts of God, nature, vandalism or other acts beyond control of K2, owner's acts or omissions, use outside the country in which the product was initially purchased and resale of the product by the original owner. This warranty does not cover pick up, delivery, transportation or house calls. However, if you mail your product to a K2 Sales and Service Center for warranty service, cost of shipping will be paid one way. This warranty does not apply to products purchased outside of the United States, including its territories and possessions, outside of U.S. Military Exchange and outside of Canada. This warranty does not cover products purchased from a party that is not an authorized retailer, dealer or distributor of K2 products.

### OTHER IMPORTANT TERMS

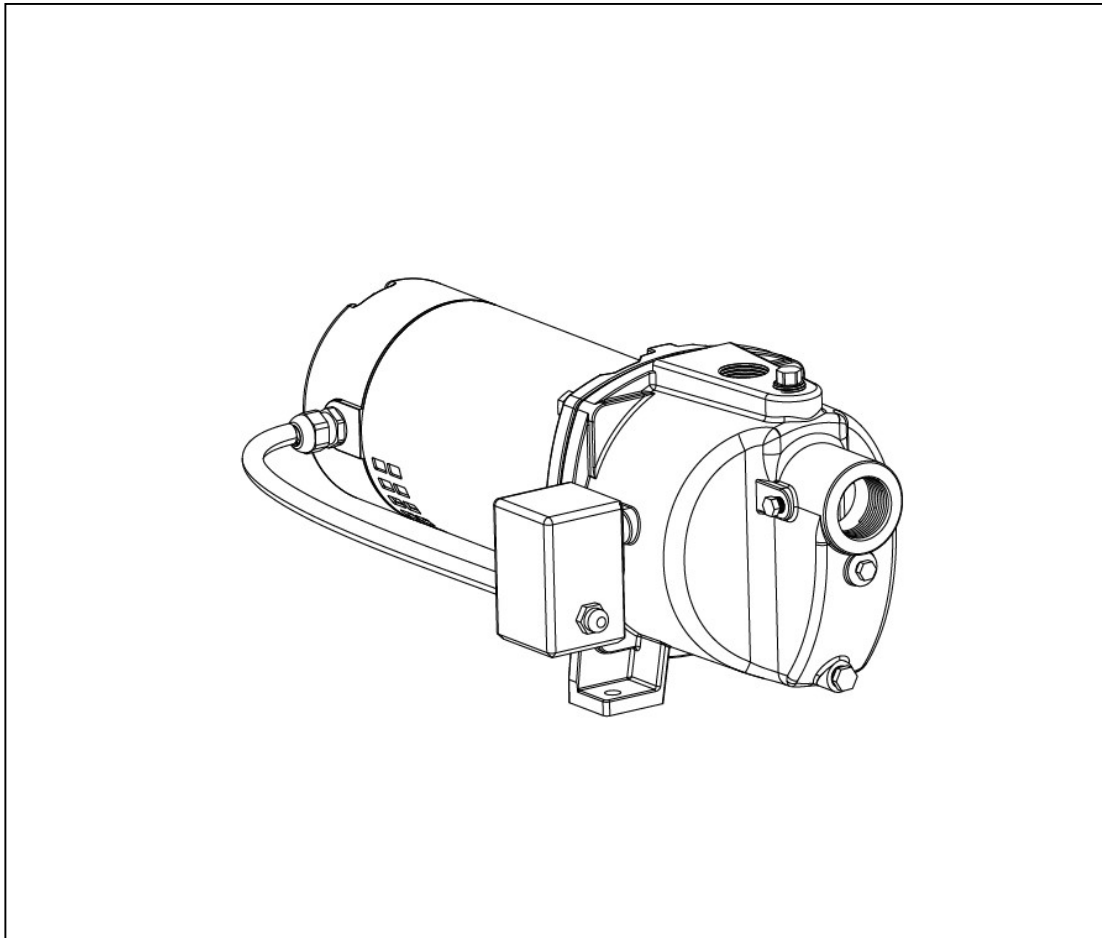
This warranty is not transferable and may not be assigned. This Warranty shall be governed and construed under laws of the state of Michigan. The Warranty Period will not be extended by any replacement or repair performed under this Warranty. THIS WARRANTY IS THE EXCLUSIVE WARRANTY AND REMEDY PROVIDED BY K2. ALL OTHER WARRANTIES, EXPRESSED OR IMPLIED, INCLUDING WARRANTIES OR MERCHANTABILITY OR FITNESS FOR PARTICULAR PURPOSE, ARE DISCLAIMED. IN NO EVENT WILL K2 BE LIABLE FOR ANY SPECIAL, INDIRECT, INCIDENTAL OR CONSEQUENTIAL DAMAGES OF ANY KIND OR NATURE TO OWNER OR ANY PARTY CLAIMING THROUGH OWNER WHETHER BASED IN CONTRACT, NEGLIGENCE, TORT, OR STRICT PRODUCTS LIABILITY OR ARISING FROM ANY CAUSE WHATSOEVER. Some states do not allow for the exclusion of consequential damages, so the above exclusion may not apply to you. This warranty gives you specific rights. You may also have other rights that vary from state to state.

**GP Enterprises Co., Ltd. 1436 Brook Drive, Downers Grove, IL 60515**

**Phone: 844-242-2475 / Web: [www.K2Pumps.com](http://www.K2Pumps.com)**

# NOTICE D'UTILISATION

## POMPE À JET POUR PUIXS PEU PROFOND



Questions, problèmes, pièces manquantes? Avant de retourner au magasin, appelezle Service à la clientèle K2 du lundi au vendredi, de 8 h à 18 h, heure normale

de l'Est

**1-844-242-2475**

[www.K2pumps.com](http://www.K2pumps.com)

# PERFORMANCE

Modèle	CV	Débit d'eau en LPM selon une pression totale de refoulement de 40 lb/po <sup>2</sup>						Max. Pressure shutoff	Tension	Du pressostat	
		0 pi.	5 pi.	10 pi.	15 pi.	20 pi.	25 pi.			MARCHÉ	ARRÊT
WPS05004K	1/2	54,9	51,1	47,3	42,8	34,8	16,5	70PSI	230/115	30	50
WPS07504K	3/4	73,9	70,1	66,3	58,7	51,1	37,9	72PSI	230/115	30	50

## Consignes de sécurité

1. Pompez de l'eau claire UNIQUEMENT avec cette pompe. Ne pas pomper de liquides inflammables ou explosifs comme de l'huile, de l'essence, du kérosène, de l'éthanol, etc. Ne pas utiliser dans des lieux qui contiennent des vapeurs inflammables ou explosives. Le fonctionnement de cette pompe avec ou près de liquides inflammables peut provoquer une explosion ou un incendie, entraînant des dommages matériels, des blessures graves ou même la mort.
2. OUIJOURS débrancher la pompe avant de procéder à l'entretien.
3. Ne pas toucher le boîtier du moteur lorsqu'il fonctionne. Le moteur est conçu pour fonctionner à des températures élevées. Ne pas démonter le boîtier du moteur.
4. Ne pas manipuler la pompe ni le moteur de la pompe lorsque vous avez les mains mouillées ou les pieds dans l'eau ou dans un endroit humide ou détrempe.
5. Toujours porter des lunettes de sécurité lorsque vous travaillez avec une pompe.
6. Il s'agit d'une pompe à double tension 115 / 230V. Pour changer la tension à 115 V, veuillez ouvrir le couvercle des bornes et régler le commutateur sur la tension appropriée. Tout le câblage doit être effectué par un électricien qualifié.
7. Protéger le cordon d'alimentation de tout contact avec des objets tranchants, des surfaces chaudes, de l'huile ou des produits chimiques. Éviter le tortillement du cordon. Ne pas utiliser un cordon d'alimentation endommagé ou usé.
8. Vérifier que la source d'alimentation électrique satisfait les exigences pour cette pompe.
9. Le non-respect des consignes relatives au fonctionnement de cet appareil peut être cause d'annulation de la garantie. L'UTILISATION D'UNE POMPE ENDOMMAGÉE peut entraîner des dommages matériels, des blessures graves ou même la mort.
10. La pompe doit être connectée à un circuit mis à la terre équipé d'un disjoncteur de fuite à la terre (DDFT).
11. Bien connaître les différentes utilisations de la pompe, ses limites et les risques d'utilisation potentiels.
12. Fixez la pompe sur une base solide.
13. Inspectez régulièrement les composants de la pompe et du système. Débranchez la pompe de l'alimentation avant d'inspecter.
14. Observez toutes les normes de sécurité et d'électricité, notamment le Code canadien de l'électricité et les exigences sur la santé et sécurité au travail en vigueur dans votre milieu de travail.
15. Le moteur de cette pompe est muni d'un protecteur thermique qui s'arrête si le moteur surchauffe. Le protecteur se réinitialise automatiquement une fois que le moteur refroidit et qu'une température acceptable est atteinte. La pompe peut démarrer de manière inattendue si l'appareil est branché.
16. Cette pompe est fabriquée de matériaux à haute résistance mécanique et résistant à la corrosion. La durée de vie de la pompe est prolongée lorsqu'elle est correctement installée, utilisée et entretenue. Cependant, une alimentation électrique insuffisante, des saletés ou des débris peuvent provoquer une panne de la pompe. Veuillez lire attentivement ce manuel et suivre les instructions relatives aux mesures correctives à prendre pour résoudre des problèmes communs.
17. Gardez les doigts et les objets étrangers à l'écart de la ventilation et des autres ouvertures. N'insérez AUCUN objet dans le moteur.  
**ATTENTION:** Ne pas toucher un moteur qui fonctionne. Les moteurs modernes sont conçus pour fonctionner par des températures élevées. Pour ne pas se brûler lorsque l'on interviendra sur la pompe, la laisser refroidir pendant 20 minutes après l'avoir arrêtée avant de la toucher.  
Ne pas laisser geler la pompe ni aucun autre élément du système, sinon la garantie sera annulée.



Périodiquement, inspecter la pompe et tous les éléments du système.

Garder la zone de travail propre, non encombrée et bien éclairée; tous les outils et tout l'équipement non utilisés doivent être entreposés correctement.

Ne pas laisser les visiteurs s'approcher de la zone de travail.

**AVERTISSEMENT:** Cette pompe est conçue pour une installation intérieure uniquement. Ne pas installer à l'intérieur augmentera considérablement le risque de blessure ou de mort par choc électrique.

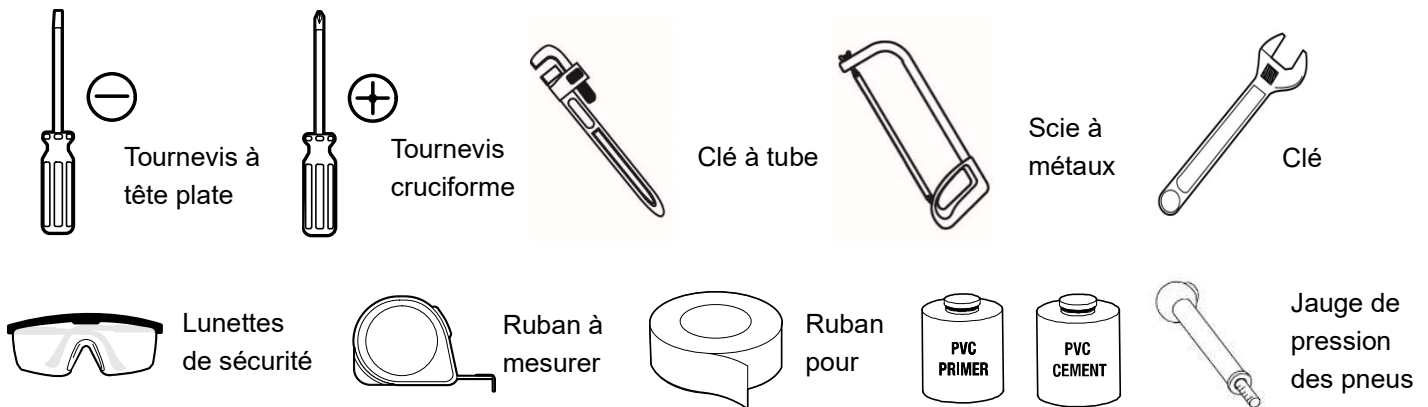
## AVANT L'INSTALLATION

### UTILISATION

Cet appareil est une pompe à jet monocellulaire pour puits de surface, où le niveau d'eau est inférieur à 25 pi de profondeur. Si le niveau d'eau à la pompe est plus profond que 25 pi, il faut se servir d'une pompe à jet convertible ou d'une pompe submersible pour puits profond. Cette pompe est équipée d'un pressostat pré-réglé à 30 lb/po<sup>2</sup> «marche», 50 lb/po<sup>2</sup> «arrêt». Le pressostat met en marche et arrête automatiquement la pompe en fonction de la pression du système.

**Ne pas utiliser pour les pompes à eaux usées, sinon cela annulera la garantie.**

### OUTILLAGE REQUIS



### CARACTÉRISTIQUES

<b>Alimentation électrique</b>	115V/230V, 60 HZ., 20/15 Amp Circuit
<b>Plage de températures du liquide</b>	32°F to 95°F (0°- 35°C)
<b>Diamètre du tuyau de refoulement°</b>	1 po. FNPT
<b>Diamètre du tuyau d'aspiration°</b>	1-1/4 po. FNPT
<b>Pompage de puits peu profonds</b>	25 pi.

### Déterminez la profondeur du puits.

Attachez un poids de petite taille mais lourd (p. ex., un plomb de pêche) à l'extrémité d'une ficelle de coton (assurez-vous que la ficelle est suffisamment longue; certains puits sont très profonds). Descendez le poids dans le puits jusqu'à ce qu'il touche le fond. Tendez la ficelle et faites une marque au niveau du sol. Tirez le poids hors du puits et mesurez la distance entre le bas du poids et la marque de niveau du sol. Cette mesure correspond à la profondeur du puits. De cette mesure, enlevez cinq pieds. Ce nombre ne doit pas dépasser la profondeur nominale maximale de votre pompe. Si c'est le cas, cela gênera ou empêchera considérablement le bon fonctionnement de la pompe.

### EMPLACEMENT DE LA POMPE

Déterminez l'endroit où vous placerez la pompe. Celui-ci doit offrir suffisamment d'espace pour permettre l'entretien de la pompe. Elle peut être placée au sous-sol ou dans une pièce de rangement de votre maison, près du puits ou entre la maison et le puits. Si elle est installée à l'extérieur de la maison, elle doit être protégée par une remise avec chauffage auxiliaire pour éviter qu'elle ne gèle. Protégez la pompe contre les dommages causés par les inondations et l'humidité excessive. Afin de protéger le puits de toute source de contamination, montez la pompe le plus près possible du puits.

## RÉSERVOIR PRÉCHARGÉ

Pour obtenir un rendement optimal de la pompe et en prolonger la vie, il est recommandé d'utiliser un réservoir sous pression à membrane (vendu séparément). Il est préférable que ce réservoir soit mis en place avant d'installer la pompe. Le réservoir de 6 gallons préchargé est muni d'une paroi souple (une membrane) qui agit en quelque sorte comme une barrière entre l'air comprimé et l'eau. Cette barrière empêche l'absorption d'air dans l'eau et permet l'action par l'air comprimé aux pressions de début plus élevées que la pression atmosphérique. Ce réservoir permet de fournir plus d'eau qu'un réservoir standard.

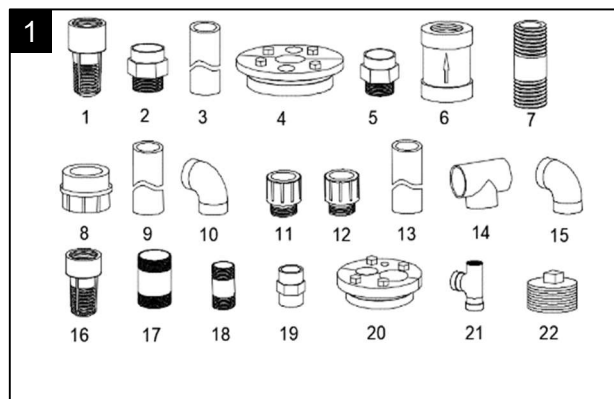
La précharge doit être de 2 lb/po<sup>2</sup> inférieure au réglage de la pression d'enclenchement du manocontacteur de la pompe.

**MISE EN GARDE:** Pour que la pompe et le réservoir fonctionnent correctement, le réservoir doit être vidangé au complet AVANT D'INSTALLER UNE NOUVELLE POMPE. Après avoir vidangé l'eau du réservoir, si vous utilisez le régulateur de pression pré-réglé à 30/50 lb/po<sup>2</sup>, réglez le niveau de l'air à 28 lb/po<sup>2</sup> à l'intérieur AVANT de mettre la pompe en marche.

## PRÉPARATION

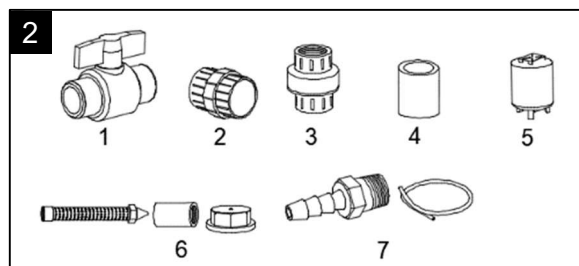
### Pièces dont vous aurez besoin pour l'assemblage (non incluses) (Fig. 1)

Article	Description	Article	Description
1	Clapet de pied en laiton 1-1/4 po	12	Adaptateur mâle PVC MPT x S 3/4 po
2	Adaptateur mâle PVC MPT x S 1-1/4 po	13	Tuyau rigide en PVC 3/4 po
3	Tuyau rigide en PVC 1-1/4 po	14	Raccord en T de prise en CPVC CTC 3/4 po
4	Tuyau simple de joint d'étanchéité	15	Coude SxS 90° en PVC 3/4 po
5	Adaptateur mâle PVC MPT x S 1 po	16	Clapet de pied en laiton 1-1/2 po
6	anti-retour en laiton sans plomb de 1-1/4 po	17	Manchon fileté en acier galvanisé 1-1/2 po x 3 po
7	Manchon fileté en acier galvanisé 1-1/4 po x 3 po	18	Manchon fileté en acier galvanisé 1 po x 3 po
8	adaptateur femelle FPT x S de 1-1/4 po en PVC	19	adaptateur femelle FPT x S de 1 po en PVC
9	Tuyau rigide en PVC 1 po	20	Tuyau double étanche de 4 po
10	Coude SxS 90° en PVC 1 po	21	TEE PVC FPT x FPT x FPT 1-1/4 po
11	Adaptateur mâle réducteur en PVC 1 po x 3/4 po	22	Bouchon galvanisé 1-1/4 po



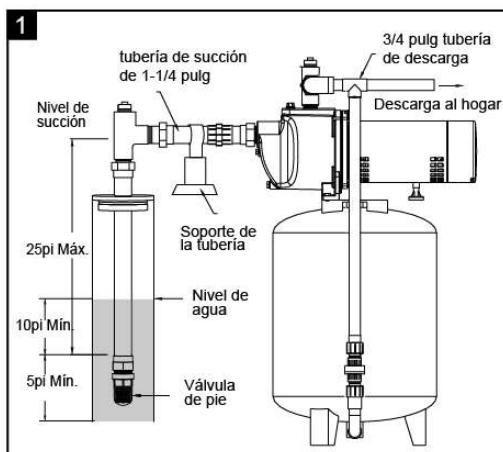
### Pièces facultatives pour l'assemblage (non incluses) (Fig. 2)

Article	Description	Article	Description
1	robinet à boisseau sphérique dérapant x dérapant de 3/4 po	5	Couplage d'entraînement
2	PVC Slip x Slip Union 1-1/4 po	6	Capuchon d'entraînement
3	raccord en PVC FPT x FPT de 3/4 po.	7	kit de contrôle AVC 1/8 po
4	Raccord PVC de 1-1/4 po. Réservoir de 20 Galon ou plus grand point de puits		



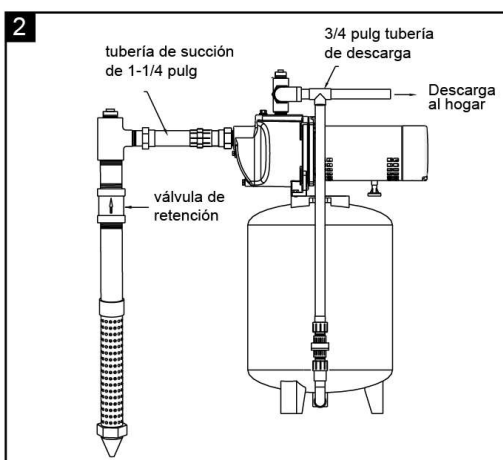
# Application pour puits peu profond

Les systèmes de puits peu profonds sont identifiés par un tuyau allant au puits, au lac ou à la rivière.



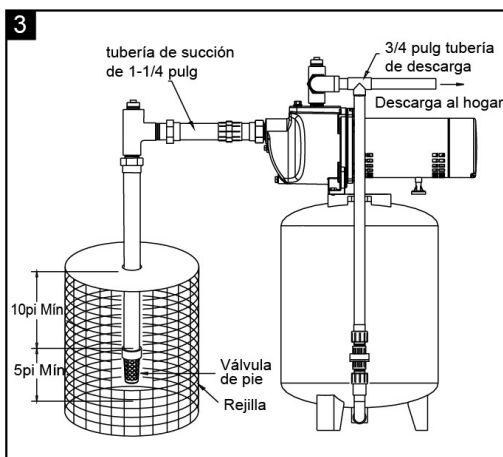
## 1. APPLICATION DE PUIITS EN BOÎTIER, BOÎTIER DE 4 PO OU PLUS (Fig.1)

Un trou creusé dans la terre avec des machines. Les profondeurs varient de quelques pieds à 25 pieds. Les diamètres de puits courants sont de 4po, 5po, 6po et 8po pour les puits d'eau domestique.



## 2. POINT DE PUIITS D'APPLICATION (POINT CONDUIT) (Fig.2)

Un tuyau avec un écran pointu est enfoncé dans le sol sous la nappe phréatique. La profondeur est généralement inférieure à 25 pieds. Les diamètres disponibles sont de 1po à 2.



## 3. APPLICATION POUR L'EAU DE SURFACE (Fig.3)

Un tuyau entre dans un lac, une rivière, une citerne ou des étangs, la hauteur d'aspiration est inférieure à 25 pi.

Installez un écran autour du tuyau d'entrée pour empêcher le piégeage des nageurs, de la faune et des débris.

**ATTENTION:** Contamination possible. N'utilisez pas d'eau de surface pour boire. L'installation illustrée peut être utilisée pour des applications d'arrosage automatique.

## ASSEMBLAGE

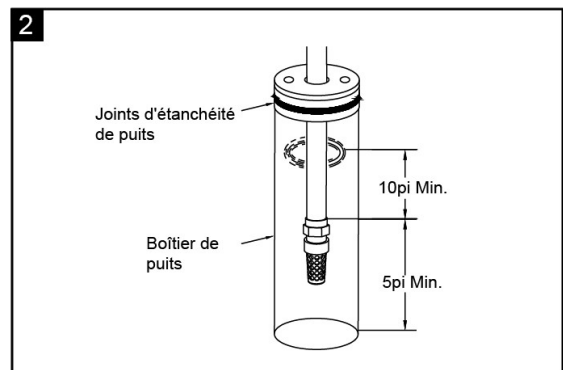
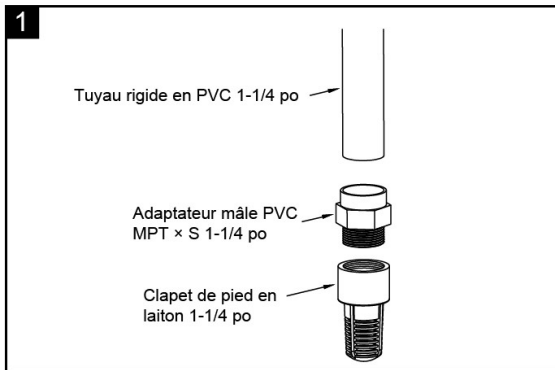
Le tuyau flexible est interdit sur le tuyau d'aspiration (tuyau d'entrée). Des raccords ou des raccords de tuyau peuvent être installés près de la pompe pour faciliter le retrait pour l'entretien ou le stockage. Un tuyau en caoutchouc installé entre le système d'eau et la tuyauterie de la maison réduira le bruit transmis à la maison.

# 1. INSTALLATION DE LA TUYAUTERIE DANS LE PUIT

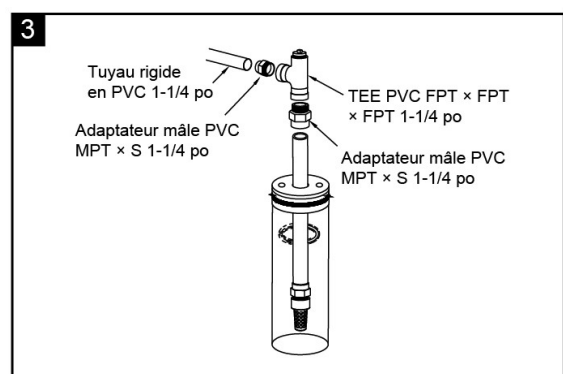
**ATTENTION:** Montez l'ensemble à sec pour assurer un bon ajustement avant de coller ou de scotcher des pièces. Suivez toutes les procédures de collage appropriées telles que spécifiées par le fabricant de la colle. Collez toujours dans la direction verticale dans la mesure du possible pour éviter que la colle ne coule à l'intérieur du tuyau ou des raccords. Utilisez du ruban adhésif et de la pâte pour tuyau sur tous les filetages mâles. Serrez avec une clé pour un ajustement optimal et ajoutez encore 1/4 de tour pour assurer une bonne étanchéité.

## Pour une installation dans un puits tubé

1. Connectez le clapet de pied en laiton de 1-1/4 po à un Adaptateur mâle de 1-1/4 po. en PVC MPT x S. Adaptateur en ciment pour tuyau rigide en PVC de 1-1/4 po. Toutes les connexions doivent être étanches à l'air et à l'eau pour que la pompe fonctionne correctement. (Fig. 1)
2. Installez le joint de puits sur un tuyau rigide en PVC de 1-1/4 po et dans le tubage du puits. Positionnez le clapet de pied à 5 pieds au-dessus du fond du puits et à au moins 10 pieds au-dessous du niveau d'eau du puits. (Fig 2)

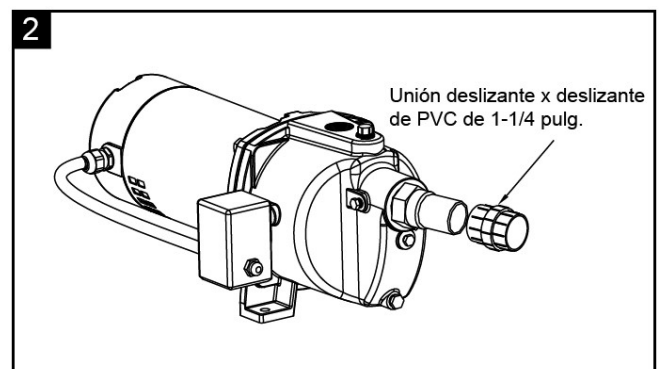
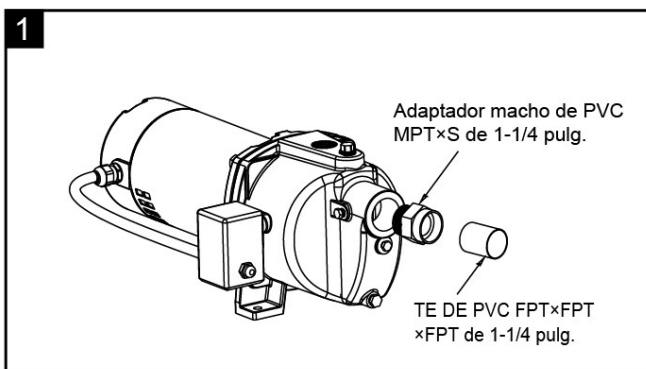


3. Cimentez un Adaptateur mâle de 1-1/4po. en PVC MPT x S dans un tuyau rigide en PVC de 1 1/4 po. Installez le TEE FPT x FPT x FPT de 1-1/4 po en PVC sur l'adaptateur. Une extrémité du port horizontal installe un autre Adaptateur mâle de 1-1/4po. en PVC MPT x S et tuyau rigide en PVC de 1-1/4 po. Ajoutez des sections de tuyaux pour atteindre le PVC Slip de 1-1/4 po. x Slip Union (en option). (Fig.3)

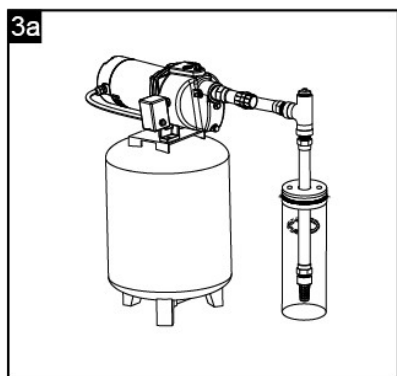


## 2. RACCORDEMENT DU PUIT A LA POMPE

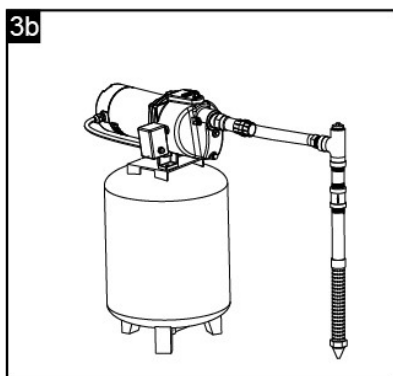
1. Fileter un Adaptateur mâle de 1-1/4po. en PVC MPT x S dans la pompe. Collez un court tuyau rigide en PVC horizontal de 1-1/4 po dans l'adaptateur. (Fig. 1)
2. Pour le raccordement du réservoir préchargé. Cimentez un manchon de un 1-1/4 po. en PVC x manchon de connexion dans un court tuyau rigide horizontal de 1-1/4 po en PVC. Inclinez tous les tuyaux d'admission légèrement vers le haut depuis le puits jusqu'à la pompe pour éviter de piéger l'air. (Fig.2)



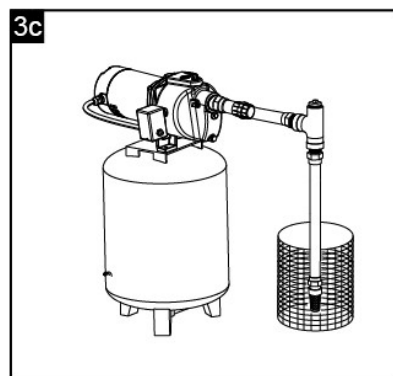
3. L'installation terminée est illustrée Fig. 3a.3b.3c.



Pour puits tubé



Pour un point de puits



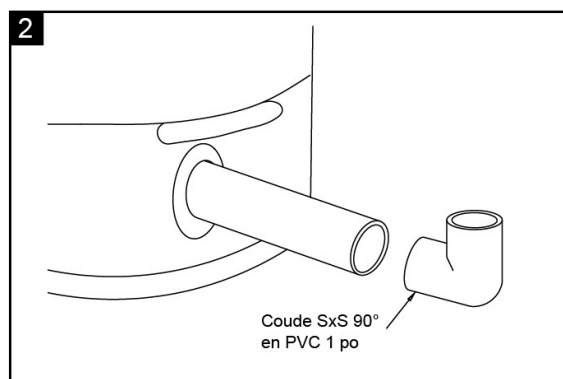
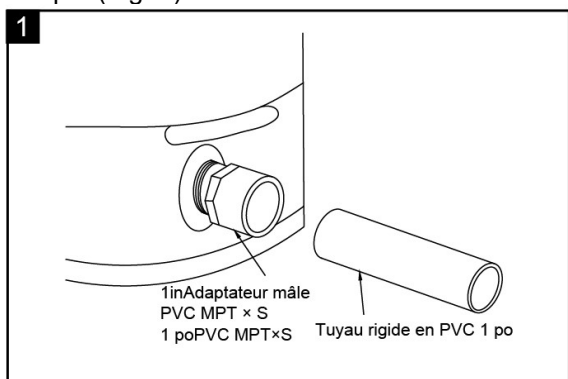
Pour l'eau de surface

### 3. POMPE AU RESERVOIR PRESSION ET A LA CONNEXION DE LA MAISON

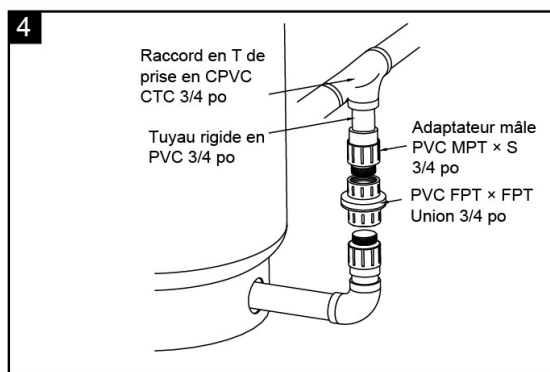
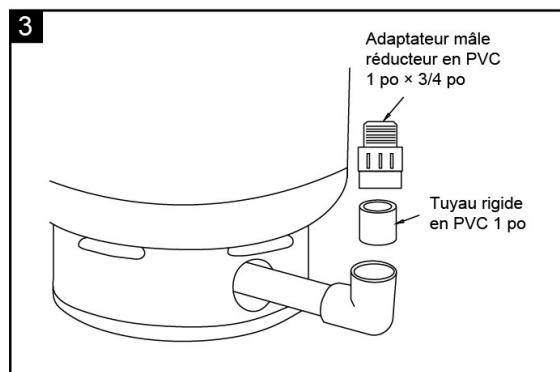
**Remarques:** La pompe doit se trouver à moins de 4 pieds. Du réservoir pour éviter le cliquetis des interrupteurs. Vérifiez la recharge du réservoir sur une base annuelle.

#### BRANCHEMENT SUR UN RÉSERVOIR PRÉCHARGÉ

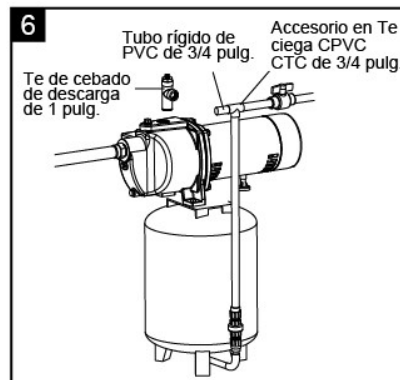
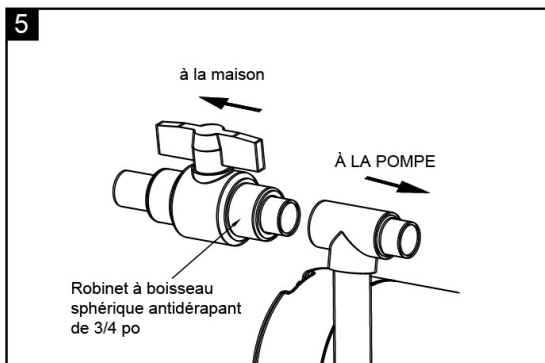
1. La plupart des réservoirs sous pression auront un coude d'entrée de 1 po. sur le fond. Connectez-vous à ce coude avec un Adaptateur mâle de 1po en PVC MPT x S et un petit morceau de tuyau rigide en PVC de 1 po. (Fig. 1)
2. Cimentez un coude S x S à 90 degrés en PVC de 1 po. (Fig.2)



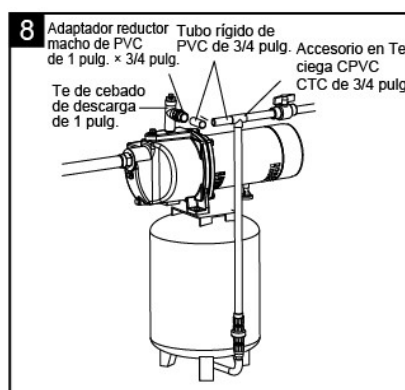
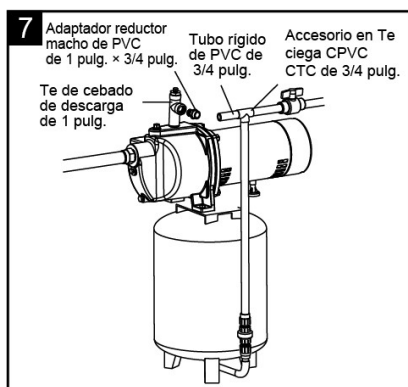
3. Cimentez un tuyau rigide en PVC de 1 po dans le coude, puis cimentez un adaptateur mâle réducteur en PVC de 1 po x 3/4 po. (Fig.3)
4. Cimentez un tuyau rigide en PVC de 3/4 po dans un raccord en T à emboîtement en CTC de 3/4 po en PVC. Cimentez un Adaptateur mâle de 3/4 po. en PVC MPT x S dans un tuyau rigide en PVC de 3/4 po. qui se connecte à un raccord en PVC FPT de 3/4 po. x FPT (Fig.4)



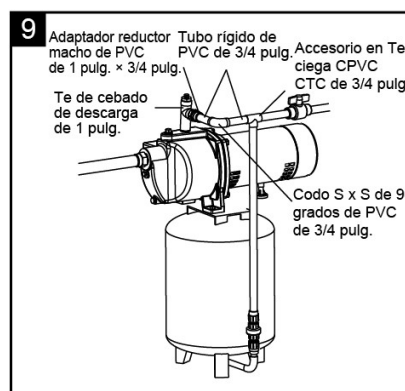
- Faites le raccordement à la plomberie de la maison. À partir du té, installez le tuyau et le robinet à boisseau sphérique antidérapant de 3/4 po (facultatif). (Fig.5)
- Installez un té galvanisé NPT mâle de 1 po x 1 po femelle NPT x 1 po NPT femelle à la sortie de la pompe. (Fig.6)



- Installez un adaptateur mâle en PVC de 1 po x 3/4 po sur le té galvanisé. (Fig.7)
- Installez un court tuyau rigide en PVC de 3/4 po. (Fig.8)



- L'installation du puits terminée avec tuyauterie et réservoir est illustrée (Fig.9)



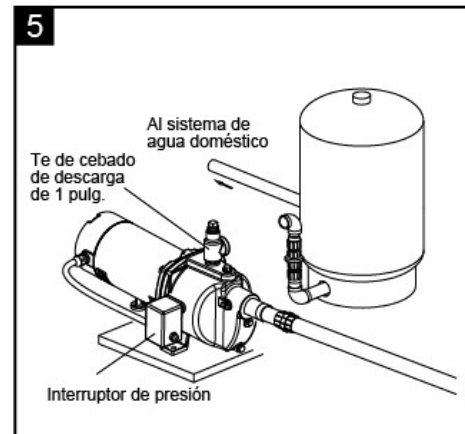
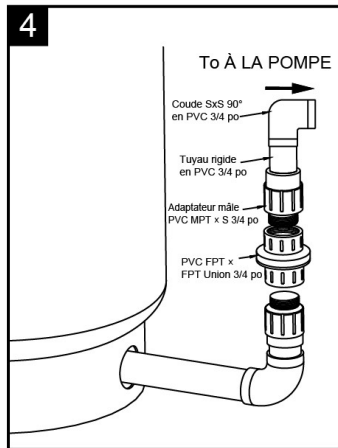
**REMARQUE:** Si un réservoir préchargé est gorgé d'eau, la vessie fuit normalement ou est cassée.

- Testez le réservoir en appuyant sur la vanne d'air. La valve à air expulsera l'eau si la vessie est cassée.
- Remplacez le réservoir. Une fois qu'une vessie fuit ou est cassée, la vessie ne peut pas être réparée. Le réservoir doit être remplacé.

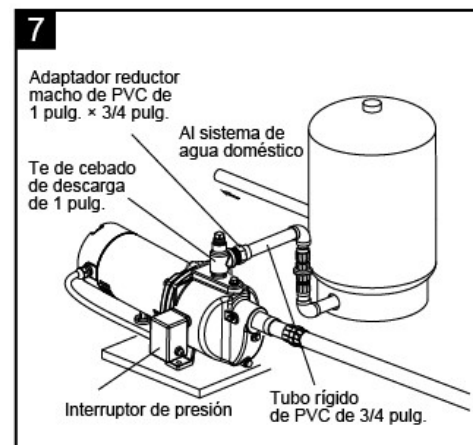
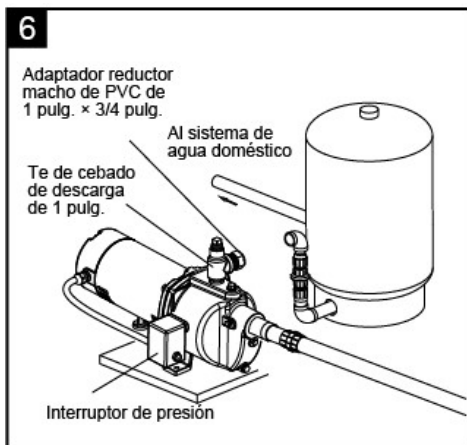
## Réservoir Standard (TYPE CONVENTIONNEL) Connexion

L'étape 1 à 3 est identique à la connexion du réservoir de pré-charge de l'étape 1-3.

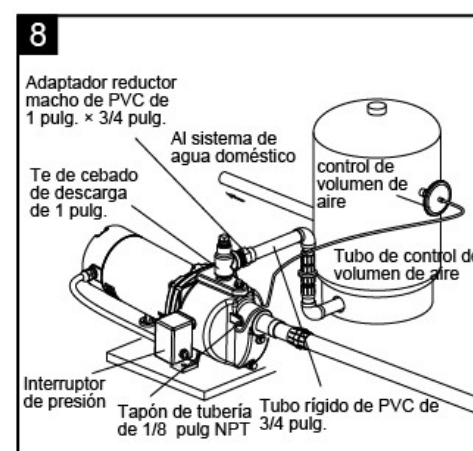
4. Cimenter un tuyau rigide en PVC de 3/4 po dans un coude S x S de 90 ° en PVC de 3/4 po. Cimenter un Adaptateur mâle de 3/4 po. en PVC MPT x S dans un tuyau rigide en PVC de 3/4 po. qui se connecte à un raccord en PVC FPT de 3/4 po. x FPT (Fig.4)
5. Installez un té galvanisé NPT mâle de 1 po x 1 po femelle NPT x 1 po NPT femelle à la sortie de la pompe. (Fig.5)



6. Installez un adaptateur mâle en PVC de 1 po x 3/4 po sur le té galvanisé. (Fig.6)
7. Installez un court tuyau rigide en PVC de 3/4 po., Ensuite, l'installation terminée avec la tuyauterie et le réservoir est illustrée (Fig.7)



8. Retirez le bouchon de tuyau NPT de 1/8 po. du port de contrôle du volume d'air (AVC) de la pompe. Près du taraudage supérieur de la face de la pompe, vissez un adaptateur barbxMIP barbelé 1/8 po dans le port AVC de la pompe. Faites passer la tubulure du port AVC de la pompe au port de l'AVC monté sur le réservoir. Vous venez de terminer le raccordement du réservoir de votre pompe à jet pour puits peu profond. (Fig.8)  
**REMARQUE:** Lorsque la pompe remplit le réservoir d'eau, le contrôle du volume d'air fournit au réservoir le rapport air / eau correct pour que le système fonctionne. Si le contrôle du volume d'air est bon, la pompe s'arrêtera au réglage de coupure souhaité et sera réglée correctement.



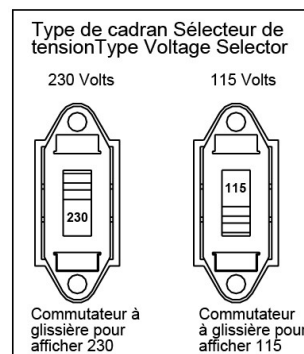
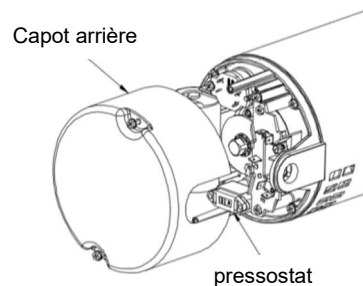
# RACCORDEMENTS ÉLECTRIQUES DE LA POMPE

**AVERTISSEMENT: Risque de secousses électriques.** Pouvant causer des brûlures, voire la mort. Débrancher le courant électrique avant d'intervenir sur la pompe, le moteur, le manostat ou le câblage.

## Pour passer de 230V à 115V

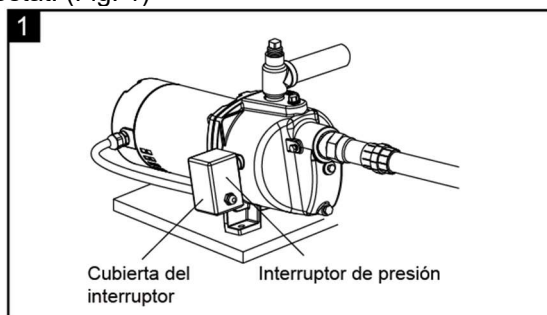
Le moteur est monophasé 115/230 volts et précâblé à 230 volts.  
Si l'alimentation est de 115 volts, retirez le couvercle arrière du moteur.  
Faites glisser le commutateur pour afficher 115 volts.  
Remettez en place le capot arrière du moteur.

**AVERTISSEMENT: Risque de secousses électriques.** Pouvant causer des brûlures, voire la mort. Assurez-vous que l'alimentation est coupée. Ne connectez jamais un moteur réglé sur 115 V à une alimentation 230 V.

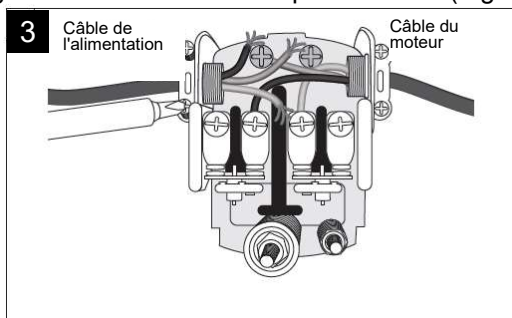


## Pour raccorder le pressostat

1. Retirez le couvercle de l'interrupteur qui a installé le pressostat. (Fig. 1)

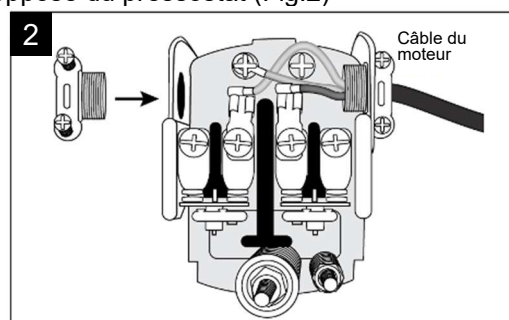


3. Faites passer le câble de l'alimentation électrique à travers la décharge de traction et serrez les deux vis sur la décharge de traction. N'écrasez pas le câble. (Fig. 3)

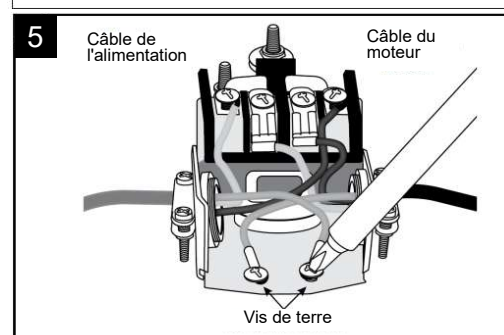
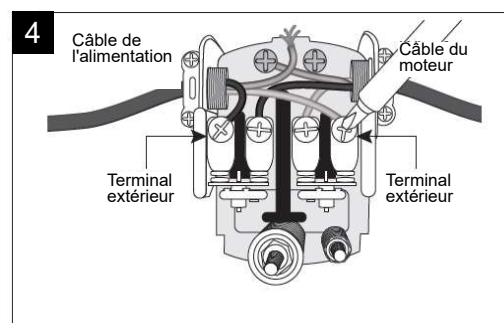


5. Connectez le câble de terre vert de l'alimentation à la vis de terre verte du pressostat (Fig.5)

2. Insérez un serre-câble électrique dans l'ouverture du côté opposé du pressostat (Fig.2)



4. Raccordez les deux fils de la source d'alimentation aux deux bornes extérieures du pressostat. (Fig. 4)





**Risque de secousses électriques.** Pouvant causer des brûlures, voire la mort. Brancher le fil de terre avant de brancher les fils de tension. Utiliser des fils de calibre spécifié (y compris le fil de terre) dans le tableau de câblage. Si possible, connectez la pompe à un circuit de dérivation dédié (un sans aucun autre appareil).

**Risque d'explosion.** Ne pas mettre à la terre sur une conduite de gaz.

**AVERTISSEMENT: Risque d'incendie.** L'utilisation d'une mauvaise tension risque de causer un incendie ou d'endommager gravement le moteur et d'annuler la garantie. La tension d'alimentation doit correspondre à  $\pm 10\%$  de la tension figurant sur la plaque signalétique du moteur.

**NOTE:** Le moteur de cette pompe est câblé en usine pour une tension de 230 volts. Au besoin, régler le moteur sur la tension désirée, comme il est indiqué. Installer la pompe, la mettre à la terre, la câbler et l'entretenir conformément au National Electrical Code (NEC) ou au Code canadien de l'électricité, selon le cas, et conformément à tous les codes et décrets en vigueur de la municipalité. Consulter l'inspecteur des bâtiments de la localité pour plus de renseignements sur les codes.

## Tableau de câblage - Câbles et diamètres des fusibles recommandés

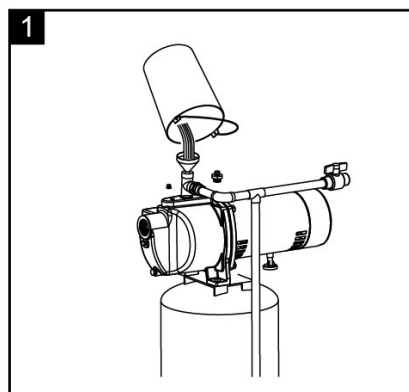
Moteur CV	Volts	Charge max.en ampères	Fusible Intensité en ampères	Distance en pieds entre le moteur et le courant d'alimentation					
				0 - 50	51 - 100	101 - 200	201 - 300	301 - 400	401 - 500
				Diamètre du fil -calibre awg (mm2)					
1/2	115/230	12.6/6.3	15/15	14/14 (2/2)	14/14 (2/2)	12/14 (3/2)	10/12 (5/3)	8/12 (7/3)	8/10 (7/5)
3/4	115/230	14.8/7.4	20/15	14/14 (2/2)	14/14 (2/2)	10/14 (5/2)	8/14 (7/2)	8/14 (7/2)	6/12 (9/3)

## AMORÇAGE ET DÉMARRAGE DE LA POMPE

**ATTENTION: Risque de brûlures.** Ne jamais faire fonctionner la pompe à sec. Faire fonctionner la pompe sans eau risque de causer une surchauffe de la pompe, d'endommager les joints et, possiblement, causer des brûlures aux personnes qui manipuleront la pompe. Faire le plein d'eau de la pompe avant de la démarrer.

**AVERTISSEMENT: Risque d'explosion et ébulliantant.** Ne jamais faire fonctionner la pompe contre un refoulement fermé, sinon l'eau risque de bouillir à l'intérieur de la pompe, une accumulation dangereuse de pression risque de se produire, un danger d'explosion risque de s'ensuivre et les personnes qui manipuleront la pompe pourront peut-être être ébulliantées.

1. Déposer le bouchon d'amorçage de la pompe et faire le plein de la pompe et de tous les tuyaux branchés entre la pompe et le puits et s'assurer que tous les tuyaux du puits sont pleins. Si un té d'amorçage a déjà été posé sur le tuyau d'aspiration, le déposer du té et faire le plein de la tuyauterie d'aspiration. (Fig. 1)



2. Reposer tous les bouchons de remplissage. Ouvrez légèrement le robinet le plus proche de la pompe / du réservoir pour permettre à l'air de s'échapper du système.
3. Établir le courant! Démarrer la pompe.
4. S'il n'y a pas de présence d'eau après 2 ou 3 minutes de fonctionnement, arrêter la pompe et déposer les bouchons de remplissage. Refaire le plein de la pompe et de la tuyauterie. Cette opération devra peut-être être répétée plusieurs fois de façon à chasser tout l'air emprisonné dans la tuyauterie.
5. Après que la pompe commence à construire la pression dans le système, fermer le robinet off. Laissez la pompe accumuler de la pression jusqu'à ce qu'elle s'arrête. Vérifier le fonctionnement du manostat en ouvrant un ou deux robinets du système; laisser couler suffisamment d'eau pour dissiper la pression jusqu'à ce que la pompe redémarre. La pompe doit redémarrer lorsque la pression chute à 30 lb/po<sup>2</sup> et s'arrêter lorsque la pression atteint

50 lb/po<sup>2</sup>. Faire fonctionner la pompe pendant un ou deux cycles complets pour confirmer son bon fonctionnement. Ceci permettra également de nettoyer le système de toute la saleté et de tout le tartre qui se seront détachés pendant l'installation.

En cas d'échec, reportez-vous à la section Dépannage ou appelez notre service technique.

## ENTRETIEN ET MAINTENANCE

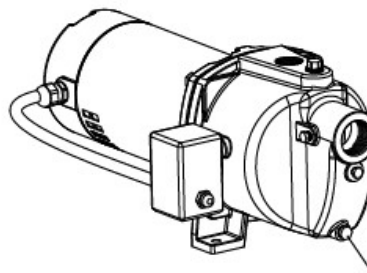
**AVERTISSEMENT:** Coupez l'alimentation et relâchez toute pression du système avant d'essayer d'installer, de réparer, de déplacer ou d'effectuer toute opération de maintenance.

### Hivernage

**ATTENTION:** Vidangez l'ensemble du système en cas de risque de gel. Un bouchon de vidange est fourni au bas du boîtier de la pompe à cet effet

Des ouvertures de vidange sont fournies sur tous les modèles pour vidanger la pompe:

- Débranchez la pompe de la prise d'alimentation.
- Retirez le bouchon de vidange près du trou d'entrée.
- Vidangez tous les tuyaux jusqu'à un point en dessous de la ligne de congélation. Cela videra la pompe.



Tapón de drenaje

**REMARQUE:** Bien que cela videra la pompe, cela ne vidangera pas nécessairement toutes les parties non protégées du système de tuyauterie. Pour vidanger le réservoir, débranchez la tuyauterie à la sortie du réservoir.

### REPLACEMENT DU JOINT D'ÉTANCHEITE

**ATTENTION:** Assurez-vous que l'alimentation est débranchée avant de tenter de réparer l'appareil! Le joint d'étanchéité rotatif doit être manipulé avec soin pour éviter d'endommager les faces rodées avec précision des composants d'étanchéité.

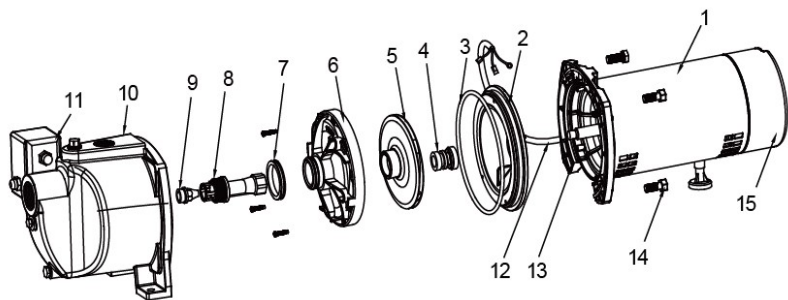
1. Désengagez le corps de pompe (Réf. N ° 1) (Inclure le diffuseur 4 , venturi 3) de la bague de montage du moteur (Réf. N ° 8)
2. Retirez le couvercle arrière (réf. N ° 11). Retirez la roue (réf. N ° 5) à l'aide d'une clé plate de 9/16 "pour maintenir l'arbre du moteur.
3. Le joint rotatif (réf. N ° 6) se détache à ce moment. Utilisez un tournevis (ou un instrument similaire) pour soulever le joint en carbure de silicium de l'évidement de la plaque d'étanchéité (réf. N ° 7). **Veillez à ne pas endommager l'arbre du moteur ou la surface de l'évidement.**
4. Nettoyez soigneusement l'évidement et l'arbre du moteur.
5. Installez le nouveau joint.
  - a. Insérez le joint en carbure de silicium et le joint en caoutchouc dans l'évidement de la plaque d'étanchéité.

**REMARQUE:** Pour faciliter l'installation, appliquez une goutte de savon liquide sur le diamètre extérieur du joint en caoutchouc. Assurez-vous que la surface polie de la garniture mécanique et de l'arbre du moteur est maintenue propre et exempte de saleté et / ou d'huile.

- b. Glissez les pièces restantes du joint d'étanchéité rotatif sur l'arbre du moteur.

**REMARQUE:** appliquez une goutte de savon liquide sur le diamètre intérieur de l'anneau d'entraînement en caoutchouc.

6. Remplacez la roue et le diffuseur retirés aux étapes 2.
7. Remontez le corps de pompe sur le moteur et le support de montage.



ARTICLE	DESCRIPTION	Qté.
1	Corps de la pompe	1
2	Manomètre	1
3	Venturi	1
4	Diffuseur	1
5	impulseur	1
6	Joint mécanique assemblé, E-5/8po	1
7	Plaque d'étanchéité	1
8	Anneau de montage	1
9	Vis du	4
10	Fil de plomb	1
11	Capot arrière	1
12	Moteur	1
13	Base	1
14	Joint torique	1
15	Du pressostat	1

## Guide De Dépannage

**NOTE:** Cette procédure videra la pompe, mais non pas nécessairement toutes les autres parties de la tuyauterie. Pour vider le réservoir, débranchez les tuyaux à la sortie du réservoir.

Problèmes	Causes possibles	Solutions
La pompe ne démarre pas ou ne fonctionne pas.	<ol style="list-style-type: none"> <li>1. L'interrupteur est fermé.</li> <li>2. Le fusible est grillé ou le disjoncteur s'est déclenché.</li> <li>3. Les contacts du pressostat sont encrassés.</li> <li>4. Les fils côté moteur sont desserrés ou mal branchés.</li> </ol>	<ol style="list-style-type: none"> <li>1. Mettez la pompe sous tension.</li> <li>2. Remplacez le fusible ou réarmez le disjoncteur.</li> <li>3. DÉBRANCHEZ LA POMPE. Limez ou nettoyez les contacts.</li> <li>4. DÉBRANCHEZ LA POMPE. Vérifiez et serrez les connexions de fils (en suivant les instructions de câblage).</li> </ol>
La pompe ne s'amorce pas	<ol style="list-style-type: none"> <li>1. Mauvais amorçage ou air emprisonné dans le tuyau</li> <li>2. Fuite d'air</li> <li>3. Le niveau de l'eau est plus bas que la prise d'eau de la conduite d'aspiration.</li> <li>4. Le clapet est bouché ou fuit.</li> </ol>	<ol style="list-style-type: none"> <li>1. DÉBRANCHEZ LA POMPE. Réglez la hauteur d'installation de la pompe et inclinez le tuyau vers le puits. Retirez le té de refoulement et réamorcez la pompe.</li> <li>2. Vérifiez toutes les connexions et réparez la fuite.</li> <li>3. Abaissez la conduite d'aspiration. Si le niveau d'eau est supérieur à 25 pi, suivez les instructions de montage pour puits profonds.</li> <li>4. Nettoyez ou remplacez le clapet de pied.</li> </ol>
La pompe marche mais elle pompe très peu d'eau ou pas du tout.	<ol style="list-style-type: none"> <li>1. Le clapet de pied est enfoui dans le sable ou la boue.</li> <li>2. L'éjecteur ou le rotor est encrassé.</li> <li>3. Le clapet de pied ou la crépine d'entrée est bouché.</li> <li>4. Niveau d'eau inférieur à la hauteur d'aspiration maximale</li> <li>5. Tension inadéquate</li> <li>6. Régulateur de pression mal réglé</li> </ol>	<ol style="list-style-type: none"> <li>1. Soulevez le tuyau d'aspiration</li> <li>2. Nettoyez l'éjecteur ou le rotor</li> <li>3. Nettoyez ou remplacez au besoin.</li> <li>4. Utilisez une pompe à jet convertible.</li> <li>5. Vérifiez le commutateur de tension.</li> <li>6. Réglez le régulateur de pression.</li> </ol>

Problèmes	Causes possibles	Solutions
La pompe démarre et s'arrête trop souvent.	<ol style="list-style-type: none"> <li>1. Précompression du réservoir inadéquate</li> <li>2. Membrane/paroi souple perforée ou absence de coussin d'air à l'intérieur du réservoir</li> <li>3. Fuite de la tuyauterie</li> <li>4. Fuite du clapet de pied</li> <li>5. Le pressostat est dérégulé</li> <li>6. Pression d'air trop faible dans le réservoir préchargé</li> </ol>	<ol style="list-style-type: none"> <li>1. Ajoutez ou enlevez de l'air au besoin.</li> <li>2. Remplacez le réservoir ou ajoutez de l'air.</li> <li>3. Réparez les raccords de la tuyauterie ou remplacez les tuyaux.</li> <li>4. Réparez ou remplacez le clapet de pied.</li> <li>5. Relevez la lecture du manomètre afin de vérifier si les points de mise en marche (env. 30 lb/po<sup>2</sup>) et d'arrêt (env. 50 lb/po<sup>2</sup>) sont exacts. Sinon, réglez ou remplacez le pressostat.</li> <li>6. DÉBRANCHEZ LA POMPE et ouvrez les robinets du circuit jusqu'à ce que toute la pression soit évacuée. À l'aide d'un manomètre pour pneus, vérifiez la pression d'air dans le réservoir par la tige de la valve qui se trouve à l'arrière du réservoir. Si la pression est inférieure au réglage d'enclenchement du pressostat entre (30 lb/po<sup>2</sup>), pompez de l'air dans le réservoir à partir d'une source extérieure jusqu'à ce que la pression d'air soit de 2 lb/po<sup>2</sup> inférieure au réglage d'enclenchement du pressostat. Assurez-vous que la valve ne fuit pas (en l'enduisant d'une solution savonneuse); remplacez l'intérieur de valve au besoin.</li> </ol>
La pompe ne s'arrête pas.	<ol style="list-style-type: none"> <li>1. Le niveau d'eau est plus bas que celui estimé.</li> <li>2. Fuite de la tuyauterie</li> <li>3. Le pressostat est dérégulé.</li> </ol>	<ol style="list-style-type: none"> <li>1. Suivez la méthode d'installation dans un puits profond.</li> <li>2. Repérez et réparez la fuite ou rebranchez.</li> <li>3. Réglez ou remplacez le pressostat</li> </ol>

## K2 Pumps Garantie Limitée

### **CE QUE CETTE GARANTIE COUVRE**

Cette garantie limitée entre en vigueur le 1er septembre 2020 et remplace toutes les garanties non datées antérieures au 1er septembre.

K2 Pumps (K2) garantit à l'acheteur original (Vous) que ses produits sont exempts de défauts de matériaux et de fabrication d'origine pendant au moins un an (la garantie varie en fonction du modèle; voir l'encadré ou le site Web K2 pour des informations de garantie spécifiques) à partir de la date d'achat (la période de garantie). Les pièces de réparation et les accessoires sont garantis pendant 90 jours à compter de la date d'achat. Pendant la période de garantie, K2 réparera ou remplacera, sans frais pour vous, les produits qui ont été examinés par K2 et jugés défectueux en matière de matériaux ou de fabrication.

***Ne reviennent pas au magasin.***

***Pour une assistance technique professionnelle, Service à la clientèle d'appel 844-242-2475.***

### **CE QUE CETTE GARANTIE NE COUVRE PAS**

Cette garantie ne couvre pas: L'utilisation du produit pour une application non-résidentielle, une mauvaise installation et / ou entretien du produit, les dommages dus à une mauvaise utilisation, les actes de Dieu, les dégâts imputés à la nature ou d'autres actes qui échappent au contrôle d'K2, les actes ou omissions du propriétaire, l'utilisation à l'extérieur du pays où le produit a été initialement acheté et la revente du produit par le propriétaire initial. Cette garantie ne couvre pas la collecte, la livraison, le transport ou les déplacements chez les particuliers. Toutefois, si vous envoyez votre produit à un centre de service après-vente et des garanties K2, le coût de l'expédition (aller simple) sera remboursé. Cette garantie ne couvre pas les produits achetés en dehors des États-Unis, y compris ses territoires et possessions, en dehors des États-Unis la bourse d'échange militaire et à l'extérieur du Canada. Cette garantie ne couvre pas les produits achetés chez un tiers qui n'est pas détaillant, revendeur ou distributeur agréé des produits K2

### **AUTRES TERMES IMPORTANTS**

Cette garantie est non transférable et ne peut être cédée. Cette garantie doit être régie et interprétée en vertu des lois de l'État du Michigan. La période de garantie ne sera pas prolongée par un remplacement ou une réparation effectuée(e) en vertu de cette garantie. CETTE GARANTIE EST LA GARANTIE EXCLUSIVE ET LE RECOURS FOURNIS PAR K2. TOUTE AUTRE GARANTIE, EXPLICITE OU IMPLICITE, Y COMPRIS LES GARANTIES DE COMMERCIALISATION OU D'ADAPTATION À UN USAGE PARTICULIER, SONT EXCLUES. EN AUCUN CAS K2 NE SERA RESPONSABLE DES DOMMAGES PARTICULIERS, INDIRECTS, ACCESSOIRES OU INDIRECTS DE QUELQUE NATURE QUE CE SOIT AU PROPRIÉTAIRE OU TOUTE PARTIE DEMANDERESSE PAR L'INTERMÉDIAIRE DU PROPRIÉTAIRE RELATIF À UN CONTRAT, UNE NÉGLIGENCE, UNE ACTION DELICTUELLE, OU UNE STRICT RESPONSABILITE VIS-À-VIS DU PRODUIT, OU PROVENANT DE TOUTE AUTRE CAUSE. Certains états ne permettent pas l'exclusion des dommages indirects et conséquemment l'exclusion ci-dessus peut ne pas vous concerner. Cette garantie vous donne des droits spécifiques. Vous pouvez également en avoir d'autres qui varient d'un état à l'autre.

**GP Enterprises Co., Ltd. 1436 Brook Drive, Downers Grove, IL 60515**  
**Téléphone: 844-242-2475 / Web: [www.K2Pumps.com](http://www.K2Pumps.com)**

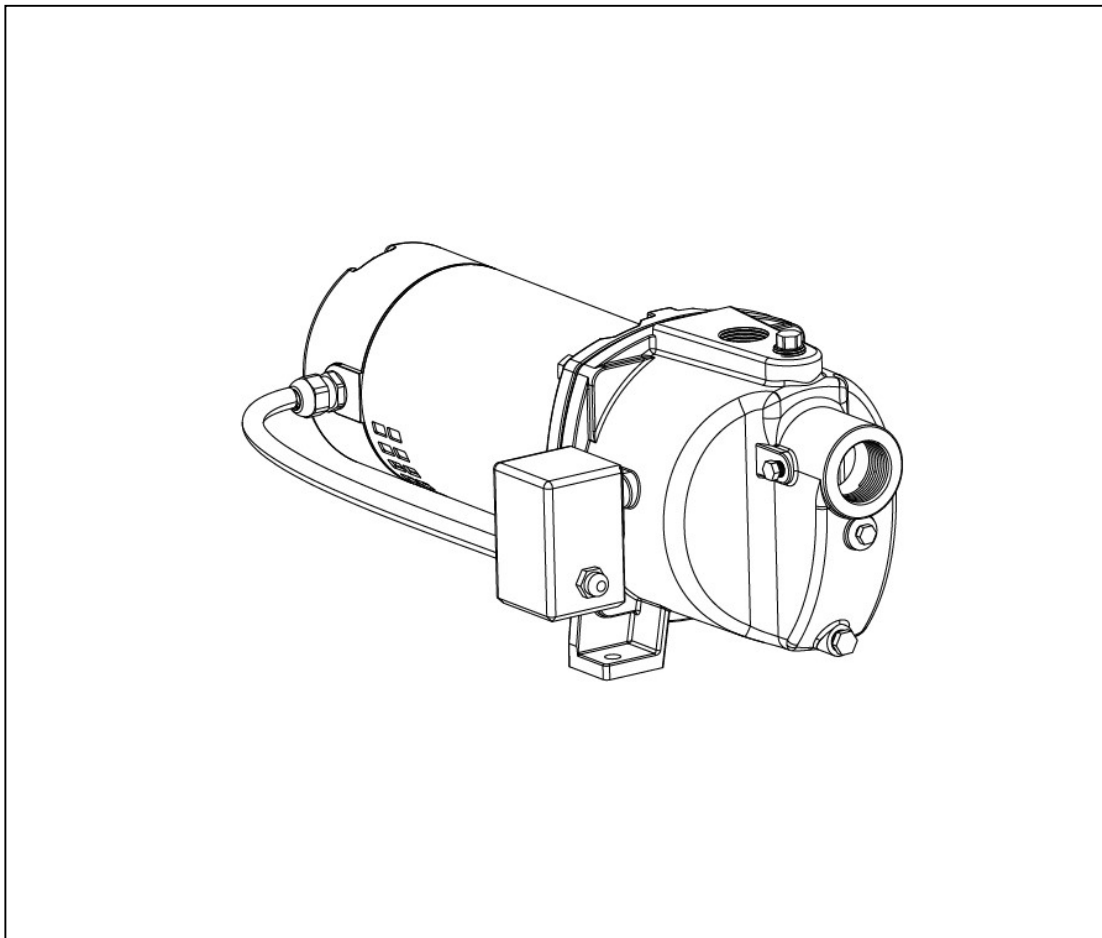




Modelo: WPS05004K/ WPS07504K

# MANUAL DEL PROPIETARIO

## POZO POCO PROFUNDO BOMBA DE CHORRO



¿Preguntas, problemas, piezas faltantes? Antes de regresar a la tienda, llame al servicio al cliente de K2 de lunes a viernes, de 08:00 a.m. a 6:00 p.m. EST

**1-844-242-2475**

[www.K2pumps.com](http://www.K2pumps.com)

# RENDIMIENTO

Modelo#	HP	TASA DE FLUJO (GPM) a 40 psi presión de descarga						Cierre de presión máxima	voltaje	Interruptor de presión	
		0 pi.	5 pi.	10 pi.	15 pi.	20 pi.	25 pi.			ENCENDIDO	APAGADO
WPS05004K	1/2	14.5	13.5	12.5	11.3	9.2	7	70PSI	230/115	30	50
WPS07504K	3/4	19.5	18.5	17.5	15.5	13.5	10	72PSI	230/115	30	50

# INSTRUCCIONES DE SEGURIDAD

1. SOLO bombee agua limpia con esta bomba. No bombee líquidos inflamables o explosivos como el petróleo, gasolina, kerosene, etanol, etc. No utilice en presencia de vapores inflamables o explosivos. El uso de esta bomba con o cerca de líquidos inflamables puede provocar una explosión o incendio, que puede causar daños a la propiedad, lesiones personales graves, y/o la muerte.
2. SIEMPRE desconecte la energía a la bomba antes de dar mantenimiento.
3. No toque la carcasa del motor durante su funcionamiento. El motor está diseñado para funcionar a altas temperaturas. No desmonte la carcasa del motor.
4. No manipule la bomba o el motor de la bomba con las manos mojadas o cuando esté parado sobre una superficie mojada o húmeda, o en agua.
5. Use gafas de seguridad en todo momento cuando trabaje con bombas.
6. Esta es una bomba de tensión dual de 115/230 V. Pour la sélection 115V, se il vous plaît ouvrez le couvercle et réglez le commutateur sur la tension appropriée. Tout le câblage doit être effectué par un électricien qualifié. Todo el cableado debe ser realizado por un electricista calificado.
7. Proteja el cable eléctrico de objetos afilados, superficies calientes, aceite y sustancias químicas. Evite doblar el cable. No utilice cables dañados o desgastados.
8. Asegúrese de que la fuente de energía eléctrica sea adecuada para los requisitos de la bomba.
9. El incumplimiento de las instrucciones y del funcionamiento diseñado de esta unidad puede anular la garantía. INTENTAR UTILIZAR UNA BOMBA DAÑADA puede causar daños a la propiedad, lesiones personales graves, y/o la muerte.
10. La bomba debe conectarse a un circuito conectado a tierra equipado con un dispositivo interruptor de falla a tierra (GFCI).
11. Conozca la bomba y sus aplicaciones, limitaciones y peligros potenciales.
12. Asegure la bomba a una base sólida.
13. Inspeccione periódicamente los componentes de la bomba y del sistema. Desconecte la bomba de la fuente de alimentación antes de inspeccionar.
14. Siga todos los códigos eléctricos y de seguridad locales, junto con el Código Eléctrico Nacional (NEC). Además, deben seguirse todas las reglas de la Administración de Seguridad y Salud Ocupacional (OSHA).
15. El motor de la bomba tiene un protector térmico automático de reajuste que se apaga si la bomba se recalienta. Una vez que el protector térmico detecte que la bomba ha bajado de temperatura permitirá que la bomba funcione normalmente. Si la bomba está conectada puede empezar a funcionar inesperadamente.
16. Esta bomba está hecha de materiales de alta resistencia, resistentes a la corrosión. Proporcionará servicio sin problemas durante mucho tiempo cuando sea instalada, mantenida y utilizada correctamente. Sin embargo, la alimentación eléctrica inadecuada a la bomba, la suciedad o desechos pueden hacer que la bomba falle. Por favor, lea atentamente el manual y siga las instrucciones con respecto a los problemas y soluciones comunes de la bomba.
17. Mantenga los dedos y objetos extraños lejos de la ventilación y otras aberturas. NO inserte ningún objeto en el motor.

**PRECAUCIÓN:** No toque un motor en operación. Los motores modernos están diseñados para operar a temperaturas altas. Para evitar quemaduras al realizar el servicio a una bomba, déjela enfriar por 20 minutos después de apagarla.

No permita que la bomba o cualquier componente del sistema se congele. Hacerlo invalidará la garantía.

Inspeccione la bomba y los componentes del sistema periódicamente.

El área de trabajo se debe mantener limpia, ordenada y con iluminación adecuada; guarde las herramientas y el



equipo que no utilice en el lugar apropiado.

Mantenga a los visitantes a una distancia segura de las áreas de trabajo.

**ADVERTENCIA:** Esta bomba está diseñada solo para instalación en interiores. Si no se instala en interiores, aumentará significativamente el riesgo de lesiones o muerte por descarga eléctrica.

## PRE-INSTALACIÓN

### APLICACIÓN

Esta unidad es una bomba de chorro de una etapa para aplicación con pozos poco profundos. La bomba puede bombear agua donde el agua está ubicada menos de 25 pies (7.62 metros) verticales de la bomba. Si el agua está más profundo que 25 pies (7.62 metros), una bomba de chorro convertible o una bomba sumergible de pozo profundo se debería usar. Un interruptor de presión preprogramado a 30psi "ON" (PRENDIDO) y 50psi "OFF" (APAGADO) se ha instalado en la bomba. El interruptor de presión puede prender o apagar la bomba automáticamente en cuanto a la presión de sistema.

**No lo use para bombas de aguas residuales; si lo hace, anulará la garantía.**

### HERRAMIENTAS REQUERIDAS



### ESPECIFICACIONES

<b>FUENTE DE ALIMENTACIÓN</b>	115V/230V, 60 HZ., 20/15 Amp Circuit
<b>RANGO DE TEMPERATURA DEL LÍQUIDO</b>	32°F to 95°F (0°- 35°C)
<b>TAMAÑO DE DESCARGA</b>	NPT Hembra de 1 pg.
<b>TAMAÑO DE SUCCIÓN</b>	NPT Hembra de 1-1/4 pg.
<b>NIVEL DE AGUA DE POZO POCO PROFUNDO</b>	25 pi.

### DETERMINE LA PROFUNDIDAD DE SU BOMBA

Ate algo pequeño pero con peso, tal como el de un pez, en el extremo de un trozo de cuerda de algodón. Baje el peso al pozo hasta que llegue al fondo del mismo. Haga una marca en la cuerda a nivel del suelo. Saque el peso del pozo y mida desde la parte inferior del peso hasta la marca del nivel del suelo. Esta es la profundidad de su pozo. Reste 5 pies desde la profundidad de su pozo. Este número no debe exceder la profundidad nominal máxima de su bomba. Si lo hace, dificultará o impedirá en gran medida el funcionamiento adecuado de la bomba.

## UBICACIÓN DE LA BOMBA

Decida el área para la instalación de la bomba. Seleccione una ubicación de la bomba con espacio adecuado para el futuro mantenimiento de la bomba. Puede ubicarse en el sótano o lavadero de la casa, junto al pozo, o entre la casa y el pozo. Si se instala fuera de la casa, debe estar protegida por una casa de bombas con calor auxiliar para evitar posible congelamiento. Proteja a la bomba de inundaciones y exceso de humedad. El pozo también debe protegerse por razones sanitarias. Monte la bomba tan ceca del pozo como sea posible.

## ALMACENAMIENTO EN TANQUES PRECARGADOS

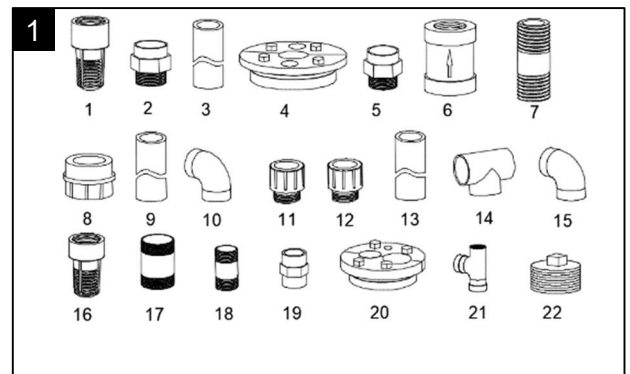
Para un mejor funcionamiento de la bomba, se recomienda que use un tanque de presión de diafragma (se vende por separado). Lo mejor es tener éste en su lugar antes de instalar la bomba. Un tanque de almacenamiento pre-cargado tiene una cámara flexible o diafragma que actúa como una barrera entre el aire comprimido y agua. Esta barrera impide que el aire sea absorbido en el agua y permite que el agua actúe por aire comprimido inicialmente a presiones atmosféricas mayores (pre-cargada). Se proporciona más agua utilizable que con un tanque de tipo convencional. La precarga debe ser de 2 PSI menos que el ajuste de cierre del interruptor de presión de la bomba.

**PRECAUCIÓN:** Para que la bomba y el tanque funcionen correctamente, el tanque de presión tiene que ser drenado de toda el agua ANTES DE INSTALAR LA NUEVA BOMBA. Después del drenaje, si está utilizando el interruptor de presión suministrado de 30/50 psi en los ajustes preestablecidos, añada o ajuste la presión de aire en el tanque a 28 psi de presión ANTES del arranque.

## PREPARACIÓN

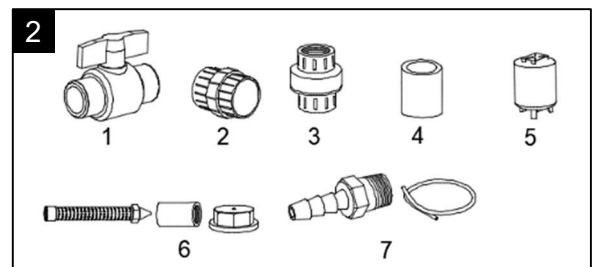
### Las partes que podría necesitar para el ensamble no están incluidas (Fig. 1)

Artículo	Descripción	Artículo	Descripción
1	Válvula de pie de latón de 1-1/4 pulg.	12	Adaptador macho de PVC MPT×S de 3/4 pulg.
2	Adaptador macho de PVC MPT×S de 1-1/4 pulg.	13	Tubo rígido de PVC de 3/4 pulg.
3	Tubo rígido de PVC de 1-1/4 pulg.	14	Accesorio en Te ciega CPVC CTC de 3/4 pulg.
4	Cierre de pozo de bomba única	15	Codo S x S de 90 grados de PVC de 3/4 pulg.
5	Adaptador macho de PVC MPT×S de 1 pulg.	16	Válvula de pie de latón de 1-1/2 pulg.
6	válvula de retención de latón sin plomo de 1-1/4 pulg.	17	Boquilla de acero galvanizado 1-1/2 pulg. × 3 pulg.
7	Boquilla de acero galvanizado 1-1/4 pulg. × 3 pulg.	18	Boquilla de acero galvanizado 1 pulg. × 3 pulg.
8	adaptador hembra de PVC FPT × S de 1-1/4 pulg.	19	adaptador hembra de PVC FPT × S de 1 pulg.
9	Tubo rígido de PVC de 1 pulg.	20	Tubo de doble sello para pozo de 4 pulg.
10	Codo S x S de 90 grados de PVC de 1 pulg.	21	TE DE PVC FPT×FPT×FPT de 1-1/4 pulg.
11	Adaptador reductor macho de PVC de 1 pulg. × 3/4 pulg.	22	Tapón galvanizado de 1-1/4 pulg.



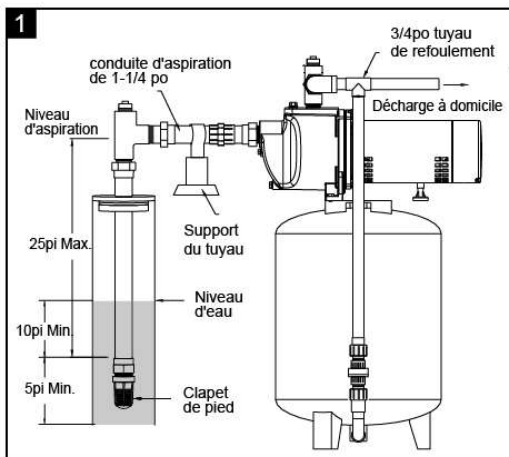
### Las partes opcionales para el ensamble no están incluidas (Fig. 2)

Artículo	Descripción	Artículo	Descripción
1	válvula de bola deslizante x deslizante de 3/4 pulg.	5	Tanque de 20 gal. o más
2	Unión deslizante x deslizante de PVC de 1-1/4 pulg.	6	punto del pozo, Acople de transmisión del pozo, Tapa para cañería del pozo
3	unión de PVC FPT × FPT de 3/4 pulg.	7	Kit de control 1/8 pulgada AVC
4	Acoplamiento PVC de 1-1/4 pulg. Acoplamiento PVC de 1 pulg. Acoplamiento PVC de 3/4 pulg.		



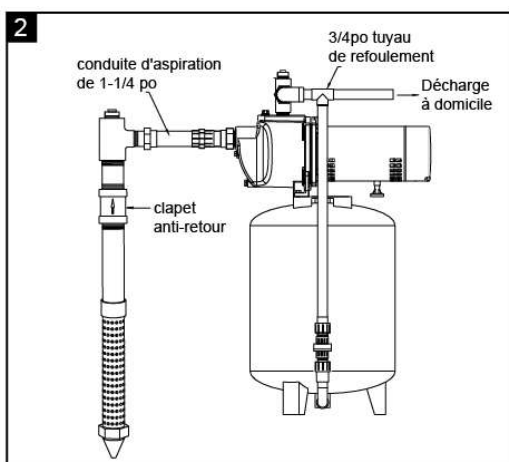
# Aplicación para pozo superficial

Los sistemas de pozos superficiales se identifican mediante una tubería que va al pozo, lago o río.



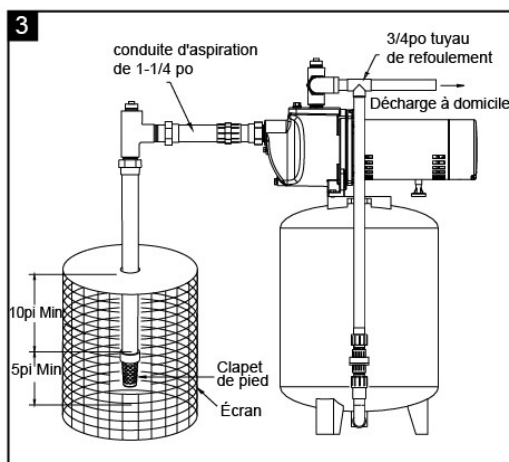
## 1. APLICACIÓN PARA POZO ENTUBADO, ENTUBADO DE 4 pulg O MÁS (Fig. 1)

Un orificio perforado en la tierra con maquinarias. Las profundidades oscilan entre unos pocos pies y 25 pies. Los diámetros comunes de pozos son de 4 pulg, 5 pulg, 6 pulg y 8 pulg para pozos de agua doméstica.



## 2. APLICACIÓN DE PUNTO DE POZO (PUNTO ACCIONADO) (Fig. 2)

La tubería con un filtro en punta se introduce en el suelo debajo de la capa freática. La profundidad habitualmente es inferior a 25 pies. Los diámetros disponibles son de 1 pulg a 2.



## 3. APLICACIÓN PARA AGUA SUPERFICIAL (Fig. 3)

Una tubería va al lago, río, cisterna o estanques, la elevación por succión es inferior a 25pi.

Instale un filtro alrededor de la tubería de entrada para evitar el atrapamiento de nadadores, vida silvestre y escombros.

**PRECAUCIÓN:** Posible contaminación. No use aguas superficiales para beber. La instalación que se muestra podría usarse para aplicaciones de rociadores.

# MONTAJE

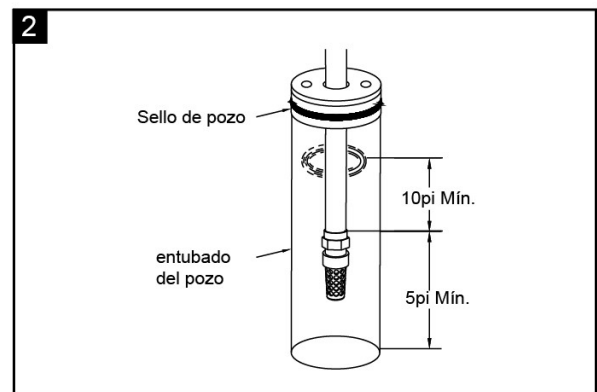
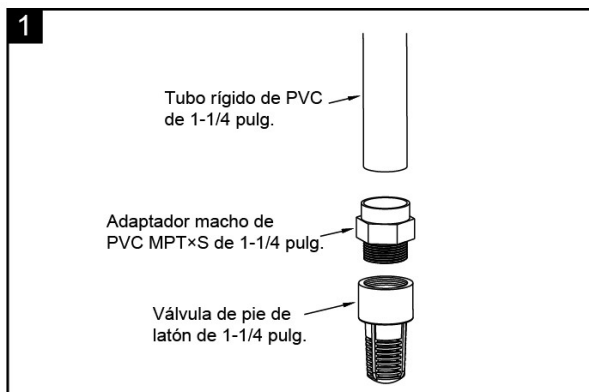
La tubería flexible está prohibida en la tubería de succión (tubería de entrada). Se pueden instalar uniones o acoplamiento de manguera cerca de la bomba para facilitar la extracción para el mantenimiento o el almacenamiento. Una manguera de goma instalada entre el sistema de agua y la tubería de la casa reducirá el ruido transmitido a la casa.

# 1. INSTALACIÓN DE LA TUBERÍA EN EL POZO

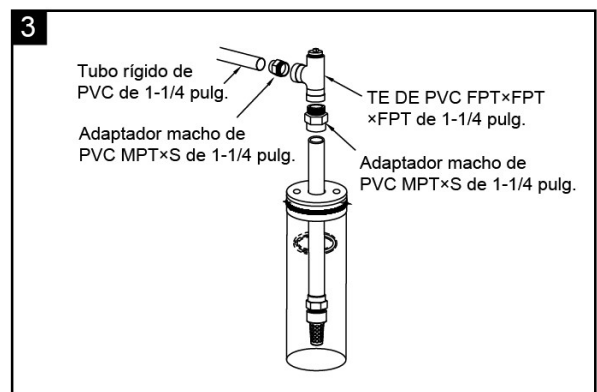
**PRECAUCIÓN:** Ajuste todo el conjunto en seco para garantizar un ajuste adecuado antes de pegar o encintar las piezas. Siga todos los procedimientos adecuados de adhesión según lo especificado por el fabricante del adhesivo. Siempre coloque adhesivo en dirección vertical en la medida de lo posible para evitar que el pegamento gotee dentro de la tubería o los accesorios. Use cinta de tubería y compuesto de pasta de tubería en todas las roscas macho. Apriete con la llave para un ajuste perfecto y agregue otro 1/4 de vuelta para asegurar un sellado adecuado.

## Para instalación en pozo entubado

1. Conecte la válvula de pie de latón de 1-1/4 pulg. al adaptador macho de PVC MPT x S de 1-1/4 pulg. Cemente el adaptador a una tubería rígida de PVC de 1-1/4 pulg. Todas las conexiones deben ser herméticas al aire y al agua para que la bomba funcione correctamente. (Fig. 1)
2. Instale el sello del pozo sobre una tubería rígida de PVC de 1-1/4 pulg. y en el entubado del pozo. Coloque la válvula de pie 5 pies por encima del fondo del pozo y al menos 10 pies por debajo del nivel de agua del pozo. (Fig. 2)

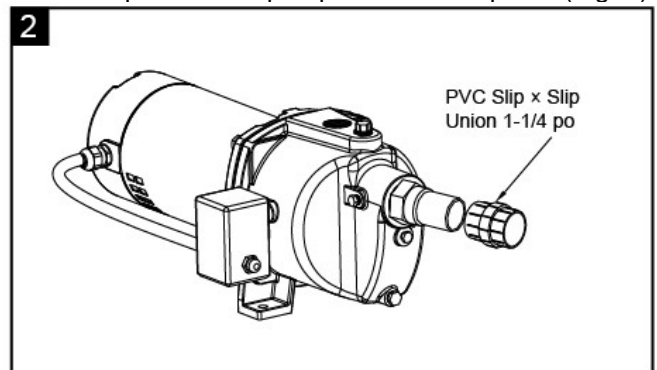
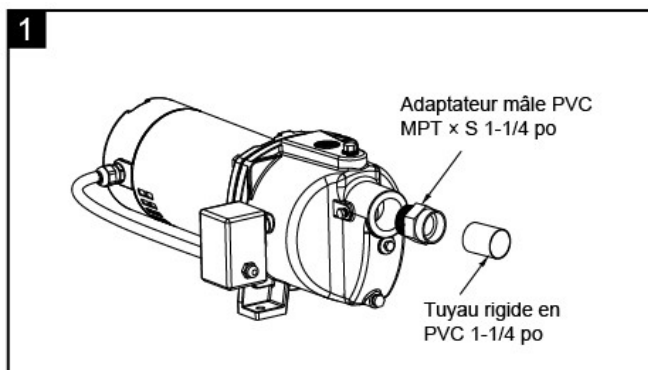


3. Cemente el adaptador macho de PVC MPT x S de 1-1/4 pulg. en una tubería rígida de PVC de 1-1/4 pulg. Instale la Te de PVC FPT x FPT x FPT de 1-1/4 pulg. en el adaptador. Un extremo del puerto horizontal se instala en otro adaptador macho de PVC MPT x S de 1-1/4 pulg. y la tubería rígida de PVC de 1/4 pulg. Agregue secciones a las tuberías para llegar a la unión deslizante x deslizante de PVC de 1-1/4 pulg. (opcional). (Fig. 3)

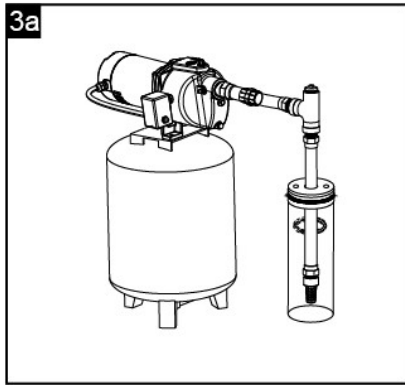


# 2. CONEXIÓN DEL POZO A LA BOMBA

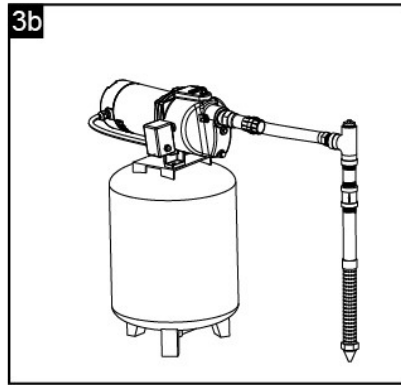
1. Enrosque el adaptador macho de PVC MPT x S de 1-1/4 pulg. en la bomba. Cemente una tubería corta horizontal rígida de PVC de 1-1/4 pulg. en el adaptador. (Fig. 1)
2. Para la conexión del tanque precargado. Cemente una unión deslizante x deslizante de PVC de 1-1/4 pulg. en una tubería rígida de PVC de 1-1/4 pulg. Incline todas las tuberías de entrada ligeramente hacia arriba desde el pozo hacia la bomba para evitar que quede aire atrapado. (Fig. 2)



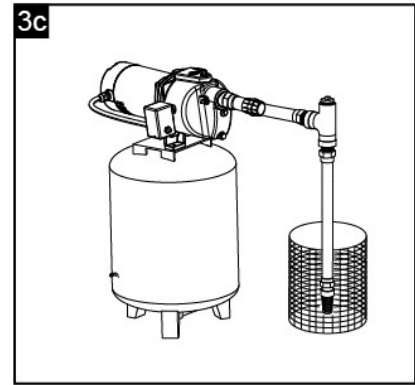
3. La instalación completada se muestra en las Fig. 3a.3b.3c.



Para pozo entubado



Para el punto del pozo



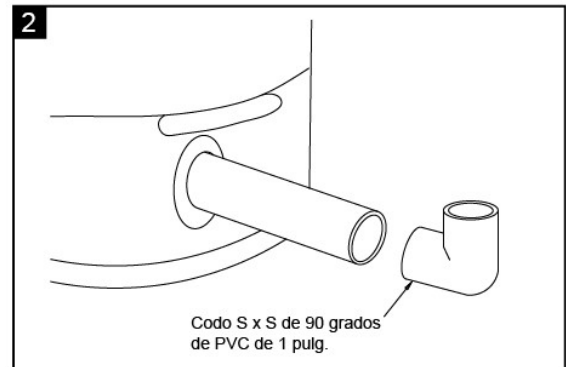
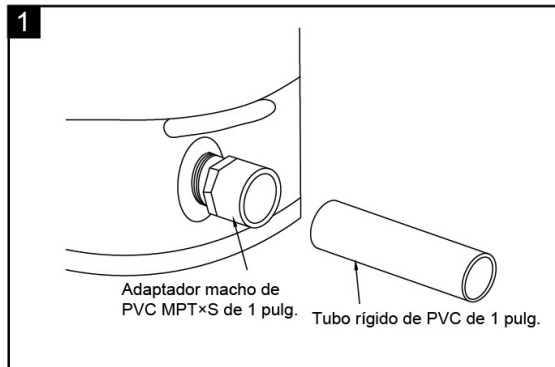
Para agua superficial

### 3. BOMBA AL TANQUE DE PRESIÓN Y A LA CONEXIÓN DE LA CASA

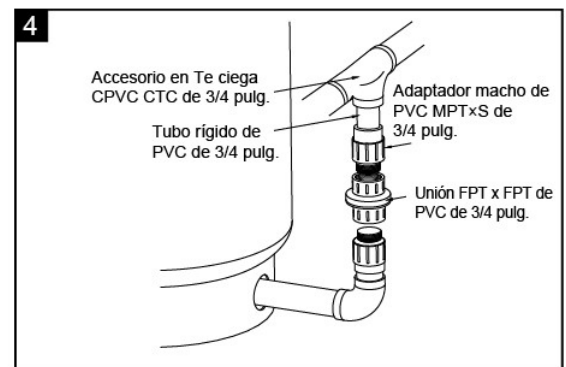
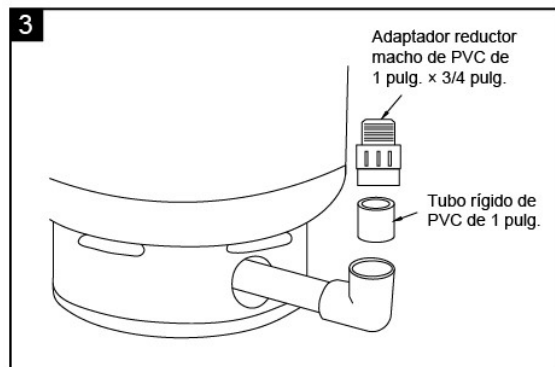
**Notas:** La bomba debe estar a menos de 4' del tanque para evitar el ruido de los interruptores. Compruebe la recarga del tanque anualmente.

#### CONEXIÓN PARA TANQUE PRE-CARGADO

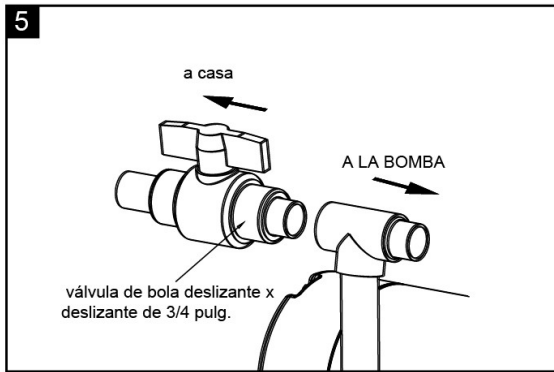
1. La mayoría de los tanques de presión tendrán un codo de entrada de 1 pulg. en la parte inferior. Conecte a este codo con un adaptador macho de PVC MPT x S de 1 pulg. y una tubería corta rígida de PVC de 1 pulg. (Fig. 1)
2. Cemente un codo S x S de 90 grados de 1 pulg. de PVC. (Fig. 2)



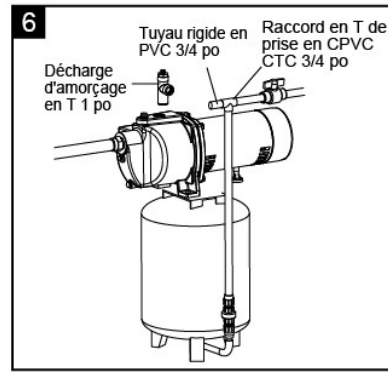
3. Cemente una tubería rígida de PVC de 1 pulg. en el codo y luego ceme un adaptador reductor macho de PVC de 3/4 pulg. (Fig. 3)
4. Cemente una tubería rígida de PVC de 3/4 pulg. en un accesorio en Te ciega CPVC CTC de 3/4 pulg. Cemente el adaptador macho de PVC MPT x S de 3/4 pulg. en la tubería rígida de PVC de 3/4 pulg. que se conecta con la unión de PVC FPT x FPT de 3/4 pulg. (Fig. 4)



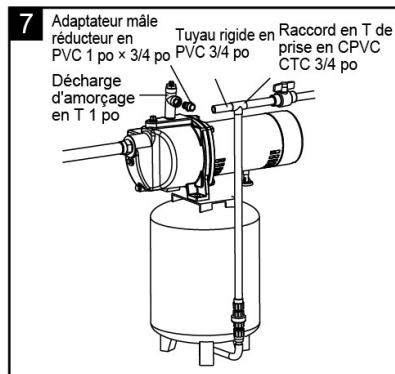
5. Realice la conexión a la tubería de la casa. Desde la te, instale la tubería y la válvula de bola deslizante x deslizante de 3/4 pulg. (opcional). (Fig. 5)



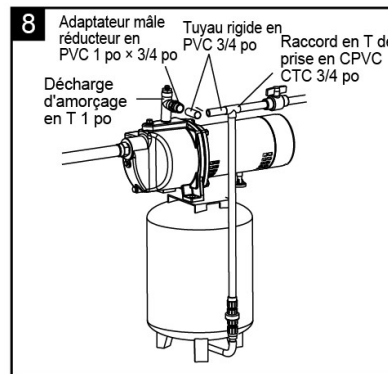
6. Instale una te galvanizada de 1 pulg. NPT macho x 1 pulg. NPT hembra x 1 pulg. NPT hembra en la salida de la bomba. (Fig. 6)



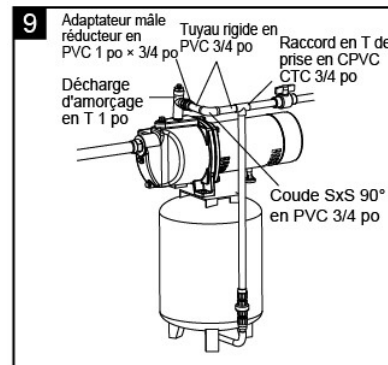
7. Instale un adaptador macho de PVC de 1 pulg. x 3/4 pulg. en la te galvanizada. (Fig. 7)



8. Instale una tubería corta rígida de PVC de 3/4 pulg. (Fig. 8)



9. Se muestra la instalación completa del pozo con tubería y tanque (Fig. 9)



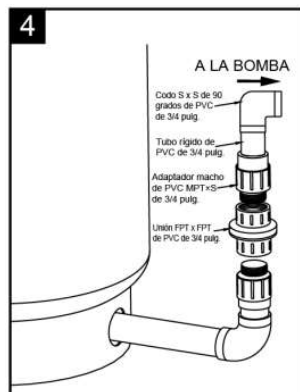
**NOTA:** Si un tanque precargado se inunda, la cámara normalmente tiene fugas o está rota.

1. Pruebe el tanque presionando la válvula de aire. La válvula de aire expulsará agua si la cámara se rompe.
2. Reemplace el tanque. Si la cámara tiene fugas o está rota, no puede repararse. Debe reemplazarse el tanque.

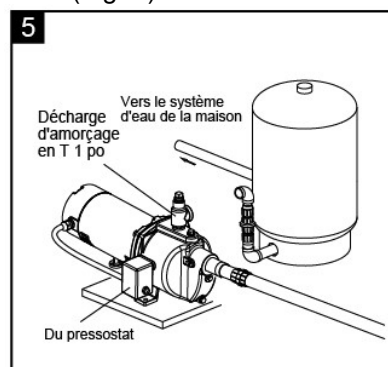
## **Conexión del tanque estándar (TIPO CONVENCIONAL)**

**Del paso 1 al 3 es lo mismo que la conexión del tanque de precarga del paso 1-3.**

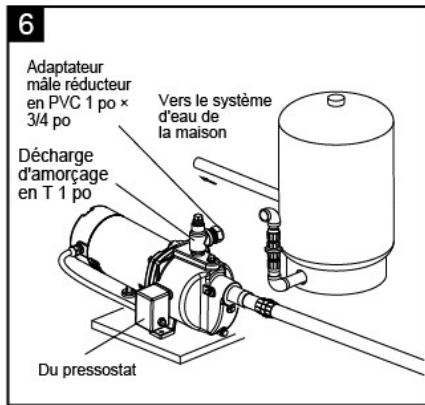
4. Cemente una tubería rígida de PVC de 3/4 pulg. en un codo de PVC S x S de 90 grados de 3/4 pulg. Cemente el adaptador macho de PVC MPT x S de 3/4 pulg. en la tubería rígida de PVC de 3/4 pulg. que se conecta con la unión de PVC FPT x FPT de 3/4 pulg. (Fig. 4)



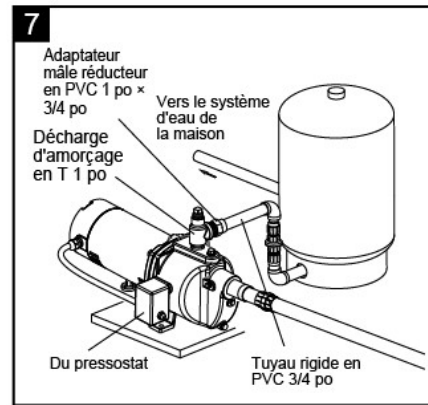
5. Instale una te galvanizada de 1 pulg. NPT macho x 1 pulg. NPT hembra x 1 pulg. NPT hembra en la salida de la bomba. (Fig. 5)



6. Instale un adaptador macho de PVC de 1 pulg. x 3/4 pulg. en la te galvanizada. (Fig. 6)

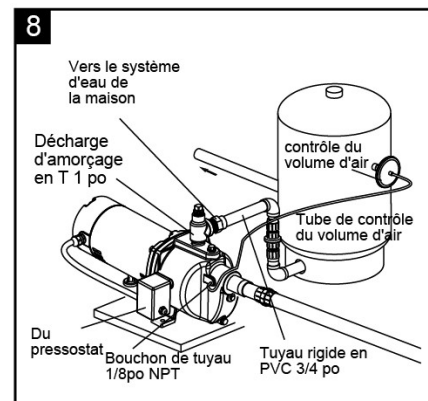


7. Instale una tubería corta rígida de PVC de 3/4 pulg., Luego, se muestra la instalación completa del pozo con tubería y tanque (Fig. 7)



8. Retire el tapón de la tubería de 1/8" NPT del puerto de control de volumen de aire (AVC) de la bomba. Cerca del grifo superior del frente de la bomba, enrosque un accesorio adaptador escalonado x MIP de 1/8 pulg. en el puerto AVC de la bomba. Tienda la tubería desde el puerto AVC de la bomba hasta el puerto en el AVC montado en el tanque. Acaba de completar la conexión del tanque para su bomba de chorro de pozo superficial. (Fig. 8)

**NOTA:** A medida que la bomba llena el tanque con agua, el control de volumen de aire suministra al tanque la relación correcta de aire a agua para que el sistema funcione. Si el control del volumen de aire es bueno, la bomba se apagará en la configuración de corte deseada y se ajustará correctamente.



## CONEXIONES ELÉCTRICAS DE LA BOMBA

**ADVERTENCIA: Riesgo de choque eléctrico.** Puede provocar choque, quemadura o muerte. Desconecte la corriente antes de trabajar en la bomba, el motor, el conmutador a presión, o los cables.

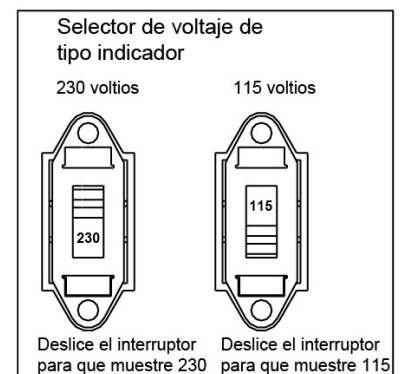
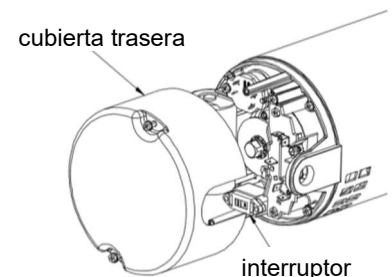
### Para cambiar de 230 V a 115 V

El motor es monofásico de 115/230 voltios y está precableado a 230 voltios. Si la fuente de alimentación es de 115 voltios, retire la cubierta posterior del motor.

Deslice el interruptor para que muestre 115 voltios.

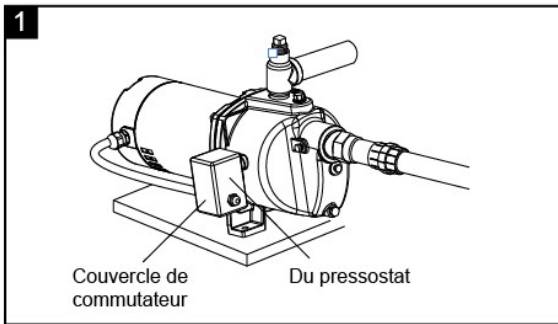
Vuelva a colocar la cubierta posterior del motor.

**ADVERTENCIA: Riesgo de choque eléctrico.** Puede provocar choque, quemadura o muerte. Verifique que esté apagado. Nunca conecte un motor configurado a 115 V a una fuente de alimentación de 230 V.

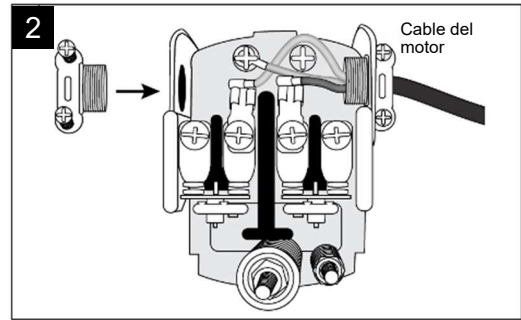


## Para cablear el interruptor de presión

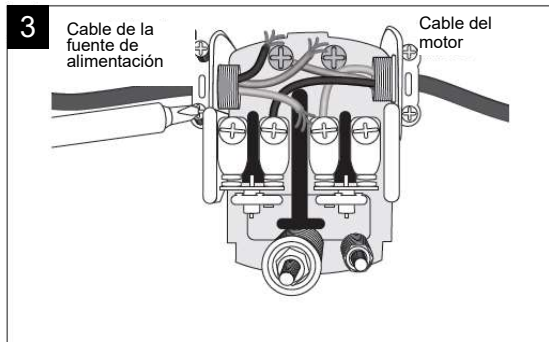
1. Retire la cubierta del interruptor que instaló el interruptor de presión. (Fig. 1)



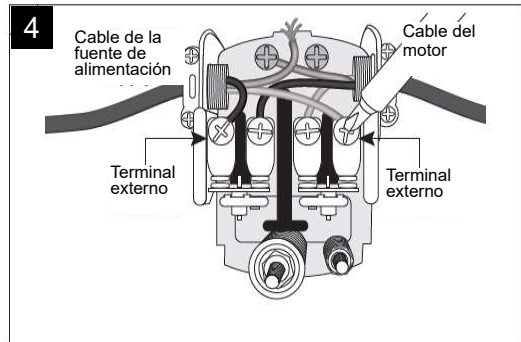
2. Inserte un alivio de tensión del cable eléctrico en la abertura en el lado opuesto del interruptor de presión (Fig. 2)



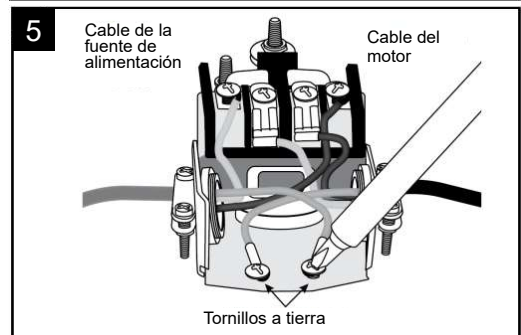
3. Pase el cable de la fuente de alimentación a través del alivio de tensión y apriete ambos tornillos en el alivio de tensión. No aplaste el cable. (Fig. 3)



4. Conectar los dos cables de la toma eléctrica con las dos terminales externas en el interruptor de presión (Fig. 4)



5. Conecte el cable de tierra verde de la fuente de alimentación al tornillo de tierra verde en el interruptor de presión (Fig. 5)



**Riesgo de choque eléctrico.** Puede provocar choque, quemadura o muerte. Puede causar choques, quemaduras o muerte. Conecte el alambre de puesta a tierra antes de conectar los alambres de suministro de corriente. Use el cable del tamaño especificado en la tabla de cableado (incluyendo el alambre de puesta a tierra). Si es posible, conecte la bomba a un circuito derivado dedicado (que no tenga conectados otros electrodomésticos).

**Riesgo de explosión.** No haga la conexión a tierra en una línea de suministro de gas.

**ADVERTENCIA: Peligro de incendio.** Una tensión incorrecta puede causar un incendio o dañar el motor seriamente e invalidará la garantía. La tensión de suministro debe ser entre  $\pm 10\%$  de la tensión especificada en la placa de datos del motor.

**NOTA:** La bomba está preprogramada para operar a 230 voltios. De ser necesario, vuelva a configurar el motor a la tensión deseada, según se ilustra. Instale, ponga a tierra, conecte los alambres y mantenga su bomba conforme al Código Nacional de Electricidad (NEC) o al Código Canadiense de Electricidad (CEC), según corresponda, y conforme a todos los códigos y normas locales que correspondan.

Consulte con su inspector local de construcciones para obtener información sobre los códigos.

## Tabla de conexiones - Cables recomendados y Tamaños de fusibles

Motor HP	voltios	Amp de Carga Máxima	Amp de Rango de Fusible de Derivación	Distancia en pies desde el motor al suministro de energía					
				0 - 50	51 - 100	101 - 200	201 - 300	301 - 400	401 - 500
				Calibre del cable awg (mm <sup>2</sup> )					
1/2	115/230	12.6/6.3	15/15	14/14 (2/2)	14/14 (2/2)	12/14 (3/2)	10/12 (5/3)	8/12 (7/3)	8/10 (7/5)
3/4	115/230	14.8/7.4	20/15	14/14 (2/2)	14/14 (2/2)	10/14 (5/2)	8/14 (7/2)	8/14 (7/2)	6/12 (9/3)

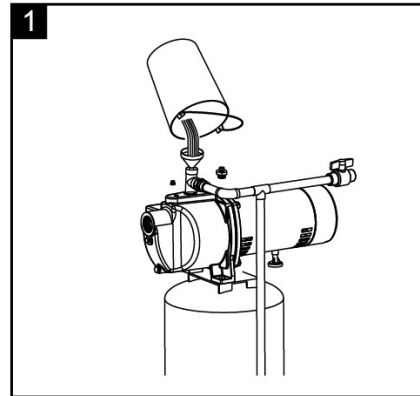


# CEBADO Y ARRANQUE DE LA BOMBA

**PRECAUCIÓN: Riesgos de quemaduras.** Nunca ponga a funcionar la bomba en seco. Poner a funcionar la bomba sin agua puede ocasionarle sobre calentamiento, dañar el sello y tal vez causar quemaduras a las personas que la estén manejando. Llene la bomba con agua antes de arrancarla.

**ADVERTENCIA: Riesgo de explosión y quemaduras.** Nunca ponga a funcionar una bomba hacia una descarga cerrada. Hacerlo puede ocasionar que el agua en el interior de la bomba ebullicione, produciendo una presión peligrosa en la unidad, riesgo de explosión y posibles quemaduras con el agua a la persona que esté manejando la bomba.

1. Quitar el tapón de cebado de la bomba y llenar la bomba, llenar toda la tubería que va de la bomba el pozo y asegúrese que toda la tubería del pozo esté llena. En caso de haber instalado una "T" de cebado en la tubería de succión, quitar el tapón de la "T" y llenar la tubería de succión. (Fig. 1)



2. Vuelva a colocar todos los tapones de llenado. Abra la llave más cercana a la bomba/tanque una pequeña cantidad para permitir que salga el aire del sistema.
3. ¡Enciéndala! Arranque la bomba.
4. Si no tiene agua después de 2 a 3 minutos, detenga la bomba y retire los tapones. Vuelva a llenar la bomba y la tubería. Es probable que tenga que repetir este paso varias veces con el fin de sacar todo el aire atrapado dentro de la tubería.
5. Después de la bomba comienza a construir la presión en el sistema, cierre la llave del agua. Vamos a construir la bomba de presión hasta que se apague. Verifique la operación del interruptor de presión abriendo una llave o dos y dejando correr suficiente agua para descargar la presión hasta que la bomba arranque. La bomba debe arrancar cuando la presión caiga a 30 PSI y se debe detener cuando la presión alcance los 50 PSI. Haga funcionar la bomba durando uno o dos ciclos completos para verificar su correcta operación. Esto también le ayudará a limpiar el sistema de polvo y basura producida durante la instalación.  
Si no tiene éxito, consulte la Solución de problemas o llame a nuestro personal técnico de servicio al cliente.

# CUIDADO Y MANTENIMIENTO

**ADVERTENCIA:** Desconecte la corriente y libere toda la presión del sistema antes de intentar instalar, reparar, reubicar o realizar cualquier tarea de mantenimiento.

## Preparación para el invierno

**PRECAUCIÓN:** Drene todo el sistema si existe peligro de congelamiento. Se incluye un tapón de drenaje en la parte inferior de la cubierta de la bomba para este propósito.

Se incluyen aberturas de drenaje en todos los modelos para drenar la bomba:

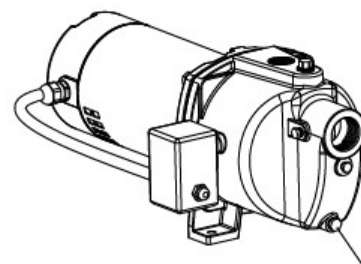
- Desenchufe la bomba del tomacorriente.
- Retire el tapón de drenaje cerca del orificio de entrada.
- Drene todas las tuberías a un punto debajo de la línea de congelamiento. Esto drenará la bomba.

**NOTA:** Si bien esto drenará la bomba, no necesariamente drenará todas las partes desprotegidas del sistema de tuberías. Para drenar el tanque, desconecte la tubería en la salida del tanque.

## REEMPLAZO DEL CONJUNTO DEL SELLO

**PRECAUCIÓN:** ¡Asegúrese de que la fuente de alimentación esté desconectada antes de intentar reparar la unidad! El conjunto del sello rotativo debe manejarse con cuidado para evitar dañar las caras superpuestas de precisión de los componentes de sellado.

1. Desacople el cuerpo de la bomba (Ref. N.º 1) (Incluya el difusor 4, venturi 3) del anillo de montaje del motor (Ref. N.º 8).
2. Retire la cubierta posterior (Ref. N.º 11). Retire el impulsor (Ref. N.º 5) con una llave de extremo abierto de 9/16" para sostener el eje del motor.
3. El sello giratorio (Ref. N.º 6) se soltará en este momento. Use un destornillador (o un instrumento similar) para extraer el sello de carburo de silicio de la cavidad de la placa del sello (Ref. N.º 7). **Tenga cuidado de no dañar el eje del**



Bouchon de vidange

**motor ni la superficie de la cavidad.**

4. Limpie bien la cavidad y el eje del motor.

5. Instale el nuevo conjunto del sello.

a. Inserte el sello de carburo de silicio y la junta de goma en la cavidad de la placa del sello.

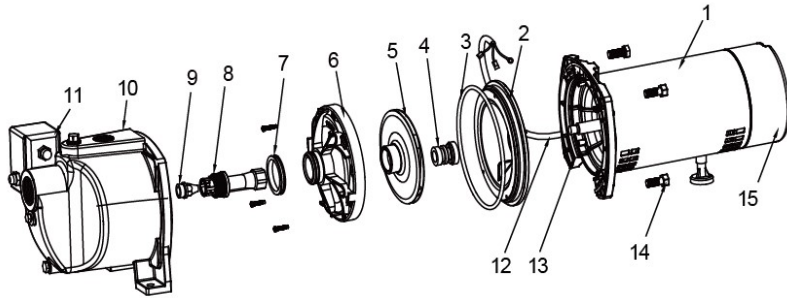
**NOTA:** Para ayudar a facilitar la instalación, aplique una gota de jabón líquido en el diámetro exterior de la junta de goma. Asegúrese de que la superficie pulida del sello mecánico y el eje del motor estén limpios y libres de suciedad o aceite.

b. Deslice las partes restantes del conjunto del sello giratorio en el eje del motor.

**NOTA:** Aplique una gota de jabón líquido en el diámetro interior del anillo de goma.

6. Vuelva a colocar el impulsor y el difusor que retiró en los pasos 2.

7. Vuelva a ensamblar el cuerpo de la bomba al motor y al soporte de montaje.



ARTICULO	Descripción	Cantidad.
1	Cuerpo de la bomba	1
2	Manómetro	1
3	Venturi	1
4	Difusor	1
5	Impulsor	1
6	Sello mecánico ensamblado, E-5/8pulg	1
7	Placa de estancamiento	1
8	Anillo de montaje	1
9	Tornillo	4
10	Cable conductor	1
11	Cubierta trasera	1
12	Motor	1
13	Base	1
14	Junta tórica	1
15	Interruptor de presión	1

## SOLUCIÓN DE PROBLEMAS

**NOTA:** Aunque esto va a drenar la bomba, no necesariamente drenará todas las partes no protegidas del sistema de tuberías. Para drenar el tanque, desconecte la tubería en la salida del tanque.

Problema	Causa posible	Acción correctiva
La bomba no se inicia o no funciona.	<ol style="list-style-type: none"> <li>1. El interruptor está apagado.</li> <li>2. Hay un fusible fundido o un interruptor activado.</li> <li>3. Los contactos del interruptor de presión están sucios.</li> <li>4. Los cables del motor están sueltos o cableados de manera incorrecta.</li> </ol>	<ol style="list-style-type: none"> <li>1. Encienda el interruptor de corriente.</li> <li>2. Reemplace el fusible o reinicie el disyuntor.</li> <li>3. DESCONECTE LA ALIMENTACIÓN. Pula o limpie los contactos del interruptor.</li> <li>4. DESCONECTE LA ALIMENTACIÓN. Siga las instrucciones de cableado para comprobar y ajustar los cables.</li> </ol>
La bomba no se ceba.	<ol style="list-style-type: none"> <li>1. La bomba se cebó incorrectamente o el aire queda atrapado en la tubería.</li> <li>2. Hay una fuga de aire.</li> <li>3. El nivel de agua está por debajo de la entrada del tubo de succión.</li> <li>4. La válvula de pie está obstruida o pierde.</li> </ol>	<ol style="list-style-type: none"> <li>1. DESCONECTE LA ALIMENTACIÓN. Ajuste la altura de la bomba y haga que la tubería se incline al pozo. Retire la "T" de descarga y vuelva a cebar.</li> <li>2. Compruebe todas las conexiones y corrija las fugas.</li> <li>3. Baje el tubo de succión. Si el nivel de agua es superior a 25 pies, utilice la instalación de pozo profundo.</li> <li>4. Limpie o reemplace la válvula de pie.</li> </ol>
La bomba funciona pero bombea poca o nada de agua.	<ol style="list-style-type: none"> <li>1. La válvula de pie está enterrada en arena o barro.</li> <li>2. El eyector o impulsor está bloqueado.</li> <li>3. La válvula de pie o filtro de entrada están obstruidos.</li> <li>4. El nivel de agua está por debajo de la especificación de elevación máxima.</li> <li>5. El voltaje no es el correcto.</li> <li>6. El regulador de presión no está configurado correctamente.</li> </ol>	<ol style="list-style-type: none"> <li>1. Levante el tubo de succión.</li> <li>2. Limpie el eyector o impulsor.</li> <li>3. Limpie o reemplace según sea necesario.</li> <li>4. Seleccione una bomba inyectora convertible.</li> <li>5. Compruebe el interruptor de voltaje.</li> <li>6. Vuelva a ajustar el regulador de presión.</li> </ol>

Problema	Causa posible	Acción correctiva
La bomba arranca y se detiene con demasiada frecuencia.	<ol style="list-style-type: none"> <li>1. El tanque fue pre-cargado incorrectamente.</li> <li>2. Hay un diafragma/cámara roto (tanque precargado) /o no tiene cámara de aire.</li> <li>3. Las tuberías tienen fugas.</li> <li>4. La válvula de pie tiene fugas.</li> <li>5. El interruptor de presión no se ajusta correctamente.</li> </ol>	<ol style="list-style-type: none"> <li>1. Agregue o libere aire, según sea necesario.</li> <li>2. Sustituya el tanque/recargue el aire.</li> <li>3. Repare las conexiones de la tubería o reemplace las tuberías.</li> <li>4. Repare o reemplace la válvula de pie.</li> <li>5. Mire detenidamente el indicador de presión para ver que los puntos de encendido/apagado de la bomba estén en aproximadamente 30 psi/50 psi. Si no es así, ajuste o reemplace el interruptor de presión.</li> </ol>
La bomba arranca y se detiene con demasiada frecuencia.	<ol style="list-style-type: none"> <li>6. La carga de aire es demasiado baja en el tanque precargado</li> </ol>	<ol style="list-style-type: none"> <li>6. DESCONECTE LA ALIMENTACIÓN y abra los grifos hasta que se libere toda la presión. Utilizando el medidor de presión de neumáticos, compruebe la presión de aire en el tanque en el vástago de la válvula que se encuentra en el tanque. Si es menos que el ajuste de apertura del interruptor de presión (30 psi), bombee aire en el tanque desde una fuente externa hasta que la presión de aire sea de 2 psi menos que el ajuste de apertura del interruptor. Compruebe la válvula de aire en busca de fugas (use solución jabonosa) y reemplace el centro si es necesario.</li> </ol>
La bomba no se apaga.	<ol style="list-style-type: none"> <li>1. El nivel de agua es menor que lo estimado.</li> <li>2. Las tuberías tienen fugas.</li> <li>3. El interruptor de presión no está correctamente ajustado.</li> </ol>	<ol style="list-style-type: none"> <li>1. Utilice una instalación de pozo profundo.</li> <li>2. Ubique y repare la fuga o vuelva a conectar.</li> <li>3. Cambie o reemplace el interruptor de presión.</li> </ol>

## K2 Pumps Garantía Limitada

### LO QUE CUBRE ESTA GARANTÍA

Esta Garantía Limitada entra en vigor a partir del 1 de septiembre de 2020 y reemplaza todas las garantías sin fecha y aquellas con fechas anteriores al 1 de septiembre de 2020.

K2 Pumps (K2) le garantiza al comprador original (Usted) que sus productos no tendrán defectos de origen en términos de materiales y fabricación durante un año como mínimo (la garantía varía en función del modelo; consultar la caja o el sitio web de K2 para obtener información específica sobre la garantía) a partir de la fecha de la compra (el Plazo de la Garantía). Las partes de repuesto y los accesorios tienen una garantía de 90 días a partir de la fecha de la compra. Durante el Plazo de la Garantía, K2 reparará o reemplazará, sin costo para usted, los productos que K2 haya examinado y determinado como defectuosas en términos de materiales o fabricación.

**No vuelve al almacén.**

**Para comunicarse a Soporte técnico profesional, Servicio de atención al cliente de la llamada 844-242-2475**

### LO QUE NO CUBRE ESTA GARANTÍA

Esta garantía no cubre: El uso del producto en un ambiente no residencial, instalación incorrecta y/o mantenimiento incorrecto del producto, daño a causa del uso indebido, actos sobrenaturales, actos de la naturaleza, vandalismo u otros actos fuera del control de K2, acciones u omisiones del propietario, el uso fuera del país en el que el producto fue comprado inicialmente y la reventa del producto por el propietario inicial. Esta garantía no cubre el recogido, el envío, la transportación o las reparaciones en casa. Sin embargo, si usted manda su producto por correo al departamento de ventas y servicios de K2 para servicios que cubre la garantía, el costo del envío será pagado únicamente de ida. Esta garantía no se aplica a productos comprados fuera de los Estados Unidos, incluyendo sus territorios y posesiones, fuera del Intercambio Militar de los Estados

Unidos y fuera de Canadá. Esta garantía no cubre productos comprados por distribuidor, comerciante o concesionario no autorizado por K2.

### OTROS TÉRMINOS IMPORTANTES

Esta garantía no es transferible ni podrá ser asignada. Esta garantía será gobernada e interpretada bajo las leyes del estado de Michigan. El Periodo de Garantía no será extendido por ningún reemplazo ni reparación realizado bajo esta garantía. ESTA GARANTÍA ES LA GARANTÍA Y RECURSO PROVISTO POR K2. TODAS LAS DEMÁS GARANTÍAS, EXPLÍCITAS O IMPLÍCITAS, INCLUYENDO GARANTÍAS O COMERCIALIZACIÓN O QUE SEA ACOPLADA PARA ALGÚN PROPOSITO EN PARTICULAR, SON DENEGADAS. EN NINGÚN CASO K2 SERÁ RESPONSABLE POR CUALQUIER DAÑO ESPECIAL, INDIRECTO, INCIDENTAL O CONSECUENTE DE CUALQUIER TIPO O ÍNDOLE AL PROPIETARIO O CUALQUIER INDIVIDUO HACIENDO LA RECLAMACION POR EL PROPIETARIO YA SEA BASADO EN CONTRATO, NEGLIGENCIA, AGRAVIO O ESTRICTA RESPONSABILIDAD DEL PRODUCTO O QUE SE DERIVE DE ALGUN OTRO TIPO DE CAUSA. Algunos estados no permiten la exclusión de daños consecuentes. Así que la exclusión antes mencionada podría no ser aplicable a usted. Esta garantía le ofrece derechos **específicos**. Usted también podría tener otros que varíen de estado a estado.

**GP Enterprises Co., Ltd. 1436 Brook Drive, Downers Grove, IL 60515**

**Teléfono: 844-242-2475 / Web: [www.K2Pumps.com](http://www.K2Pumps.com)**