

Cast Iron, Lead Free Convertible Jet Pumps

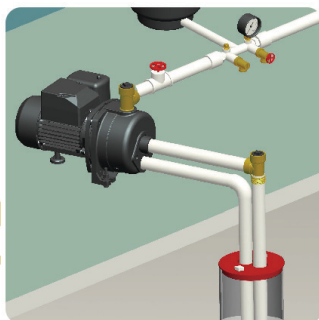
| | | |
|------------------|---------------|---------------|
| WPD05001K | 1/2 HP | 10 GPM |
|------------------|---------------|---------------|

| | | |
|------------------|---------------|---------------|
| WPD07501K | 3/4 HP | 20 GPM |
|------------------|---------------|---------------|

| | | |
|------------------|-------------|---------------|
| WPD10001K | 1 HP | 24 GPM |
|------------------|-------------|---------------|



- Rugged cast iron construction
- Shallow well application for water at depths up to 25' deep
- Deep well application
WPD05001K - water at depths up to 70' deep
WPD07501K - water at depths up to 90' deep
WPD10001K - water at depths up to 110' deep
- Heavy-duty, dual-voltage 115/230V motor, pre-set at 230V
- Self-priming after pump housing is initially filled
- Ejector kits and pressure regulator included
- Prewired Pressure Switch: preset for 30/50 PSI operation



Certified Lead Free to:
NSF/ANSI/CAN 61
NSF/ANSI 372

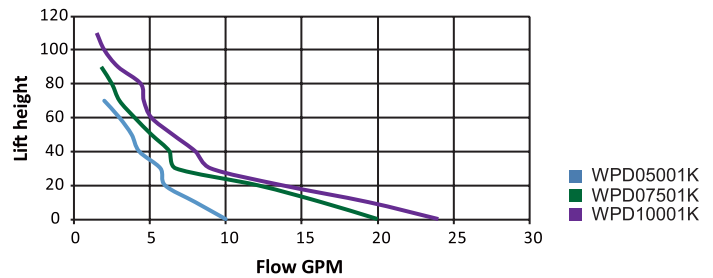


Performance (GPM) at 40 PSI Discharge Pressure

| Model No. | HP | Depth to Water | | | | | | | | | | | | | Max pressure shutoff | Voltage | Pressure switch | |
|------------------|-----|----------------|------|------|-----|-----|-----|-----|-----|-----|-----|------|------|--------|----------------------|---------|-----------------|--|
| | | 0' | 10' | 20' | 30' | 40' | 50' | 60' | 70' | 80' | 90' | 100' | 110' | ON | | | OFF | |
| WPD05001K | 1/2 | 10 | 8 | 6 | 5.7 | 4.3 | 3.8 | 3 | 2 | / | / | / | / | 70 PSI | 230/115 | 30 | 50 | |
| WPD07501K | 3/4 | 20 | 16.3 | 12.1 | 6.7 | 6.3 | 5.1 | 4 | 3 | 2.5 | 1.8 | / | / | 70 PSI | 230/115 | 30 | 50 | |
| WPD10001K | 1 | 24 | 19.4 | 13.7 | 9 | 8 | 6.5 | 5.1 | 4.6 | 4.4 | 2.9 | 2 | 1.5 | 70 PSI | 230/115 | 30 | 50 | |

| Application | |
|--|---------------------------------------|
| Convertible Jet pumps For Household Water Applications | |
| Voltage | 115/230V |
| Hertz | 60Hz |
| Phase | Single |
| RPM | 3450RPM |
| Motor type | CSIR motor |
| Insulation | Class B |
| Circuit requirements | 20/10 AMP |
| Duty rating | Continuous* |
| Shaft seal | Mechanical seal |
| Motor Shaft | Stainless steel |
| Upper motor bearing | Ball bearing |
| Lower motor bearing | Ball bearing |
| Cooling | Fan cooled |
| Motor protection | Auto reset thermal overload protector |
| Pump Specifications | |
| Discharge size | 1" NPT |
| Pump Housing | Cast iron |
| Pump Base | Cast iron |
| Impeller material | Thermoplastic |
| Gasket | Rubber |
| Solids handling | 0" spherical |
| Liquid temp.range | 32°-104°F |
| Operation | Automatic |
| Fasteners | Cast iron |
| Automatic Switch Specifications | |
| Type | Pressure Switch |
| Switch on point | 30psi |
| Switch off point | 50psi |
| Material | Reinforced thermoplastic |

Performance



| Performance at 40 PSI Discharge Pressure | | | | | | | | | | | | | | | |
|--|-----|------------|-------------|------|------|------|-----|-----|-----|-----|-----|-----|-----|-----|-----|
| Model | HP | Amps | Lift height | 0 | 10 | 20 | 30 | 40 | 50 | 60 | 70 | 80 | 90 | 100 | 110 |
| WP-D05001K | 1/2 | 12.4 /6.2A | GPM | 10 | 8 | 6 | 5.7 | 4.3 | 3.8 | 3 | 2 | / | / | / | / |
| | | | GPH | 600 | 480 | 360 | 342 | 258 | 228 | 180 | 120 | / | / | / | / |
| WP-D07501K | 3/4 | 15.8 /7.9A | GPM | 20 | 16.3 | 12.1 | 6.7 | 6.3 | 5.1 | 4 | 3 | 2.5 | 1.8 | / | / |
| | | | GPH | 1200 | 978 | 726 | 402 | 378 | 306 | 240 | 180 | 150 | 108 | / | / |
| WP-D10001K | 1 | 17.6 /8.8A | GPM | 24 | 19.4 | 13.7 | 9 | 8 | 6.5 | 5.1 | 4.6 | 4.4 | 2.9 | 2 | 1.5 |
| | | | GPH | 1440 | 1164 | 822 | 540 | 480 | 390 | 306 | 276 | 264 | 174 | 120 | 90 |

Dimensions

