



Cast Iron, Lead Free

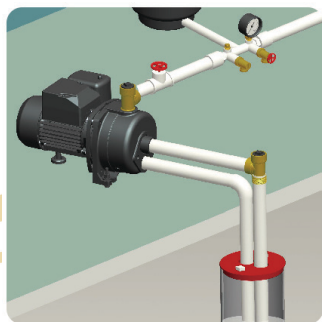
Convertible Jet Pump

With Multi-function Diagnostic Capabilities

WPD07502K | **3/4 HP** | **20 GPM**



- LED Diagnostics Panel indicates operation status of the pump
- Rugged cast iron construction
- Shallow well application for water at depths up to 25' deep
- Deep well application for water at depths up to 90' deep
- Dual voltage motor, with built-in 115/230V automatic conversion switch
- Self-priming after pump housing is initially filled
- Ejector kits and pressure regulator included
- Prewired Pressure Switch; preset for 30/50 PSI operation



Certified Lead Free to:
NSF/ANSI/CAN 61
NSF/ANSI 372

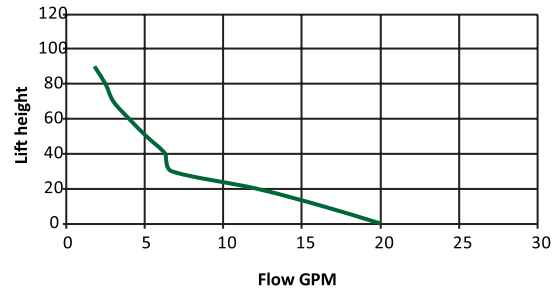


Performance (GPM) at 40 PSI Discharge Pressure

Model No.	HP	Depth to Water										Max pressure shutoff	Voltage	Pressure switch	
		0'	10'	20'	30'	40'	50'	60'	70'	80'	90'			ON	OFF
WPD07502K	3/4	20	16.3	12.1	6.7	6.3	5.1	4	3	2.5	1.8	70 PSI	230/115	30	50

Application	
Convertible Jet pumps For Household Water Applications	
Voltage	115/230V
Hertz	60Hz
Phase	Single
RPM	3450RPM
Motor type	CSIR motor
Insulation	Class B
Circuit requirements	20/10 AMP
Duty rating	Continuous*
Shaft seal	Mechanical seal
Motor Shaft	Stainless steel
Upper motor bearing	Ball bearing
Lower motor bearing	Ball bearing
Cooling	Fan cooled
Motor protection	Auto reset thermal overload protector
Pump Specifications	
Discharge size	1" NPT
Pump Housing	Cast iron
Pump Base	Cast iron
Impeller material	Thermoplastic
Gasket	Rubber
Solids handling	0"spherical
Liquid temp.range	32°-104°F
Operation	Automatic
Fasteners	Cast iron
Automatic Switch Specifications	
Type	Pressure Switch
Switch on point	30psi
Switch off point	50psi
Material	Reinforced thermoplastic

Performance



Performance at 40 PSI Discharge Pressure													
Model	HP	Amps	Lift height	0	10	20	30	40	50	60	70	80	90
WP-D07502K	3/4	15.8 / 7.9A	GPM	20	16.3	12.1	6.7	6.3	5.1	4	3	2.5	1.8
			GPH	1200	978	726	402	378	306	240	180	150	108

Dimensions

