



Stainless steel

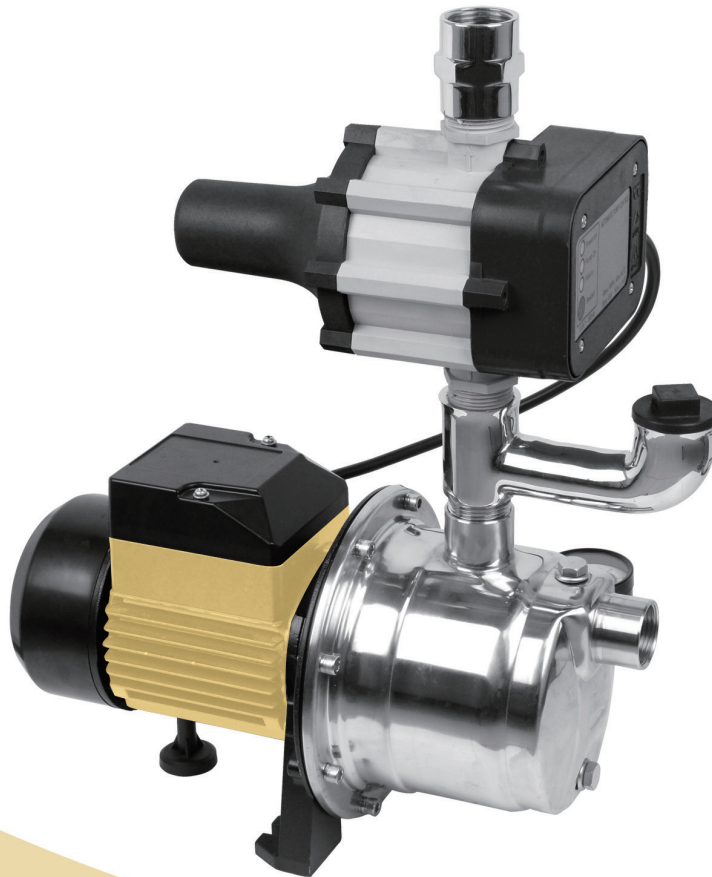
Automatic Booster Pump

Maintains and Increases Home Water Pressure



WPS07505PCK | **3/4 HP** | **10 GPM**

- Automatic design controls and regulates delivery of water
- Certified Lead Free to NSF/ANSI/CAN 61
- Works as a booster pump for municipal water or tankless shallow well jet pump
- Stainless Steel pump housing
- 115V Single voltage motor
- 10' Power cord

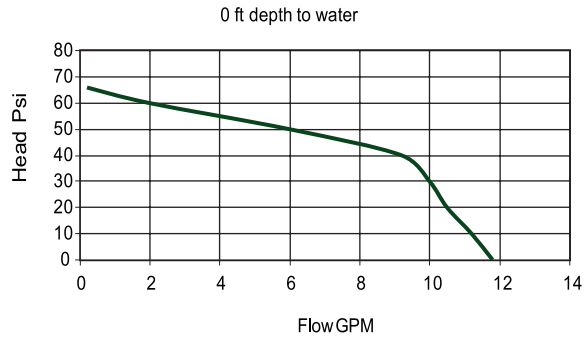


Performance (GPM) at 30 PSI Discharge Pressure

Model No.	HP	Depth to Water						Max pressure	Voltage
		0'	5'	10'	15'	20'	25'		
WPS07505PCK	3/4	10	9.4	8.8	8.0	6.8	5.4	66 PSI	115

Application	
Maintains and increases municipal water pressure	
Voltage	115
Hertz	60
Phase	Single
RPM	3450RPM
Motor type	Permanent Split Capacitor(PSC)
Insulation	Class B
Circuit requirements	20 AMP
Duty rating	Continuous*
Shaft seal	Mechanical seal
Motor Shaft	Stainless steel
Upper motor bearing	Ball bearing
Lower motor bearing	Ball bearing
Cooling	Fan cooled
Motor protection	Auto reset thermal overload protector
Pump Specifications	
Discharge size	1"NPT
Suction size	1"NPT
Pump Housing	stainless steel
Pump Base	cast aluminium
Diffuser	reinforced thermoplastic
Impeller material	reinforced thermoplastic
Gasket	rubber
Solids handling	0"spherical
Liquid temp.range	32°-77°F
Operation	automatic
Fasteners	Steel
Automatic Switch Specifications	
Type	Pressure Switch
Material	Reinforced Thermoplastic

Performance



Performance at 30 PSI Discharge Pressure									
Model	HP	Amps	Depth to water	0'	5'	10'	15'	20'	25'
WPS07505PCK	3/4	8A	GPM	10	9.4	8.8	8.0	6.8	5.4
			GPH	600	564	528	480	408	324

Dimensions

