

# Quick-Connect Fittings

**AQC150K** | **1-1/2" NPT**

Fits most Sump and Effluent pumps

**AQC200K** | **2" NPT**

Fits most Sewage pumps



- Easily connects PVC pipe to the discharge outlet of sump, effluent or sewage pumps
- Quick-Connect Fitting features a metal ring with teeth that firmly grip PVC pipes
- Eliminates the need for messy PVC primer, glue, adapter or inconvenient plumber's tape



## Installation in 3 Easy Steps



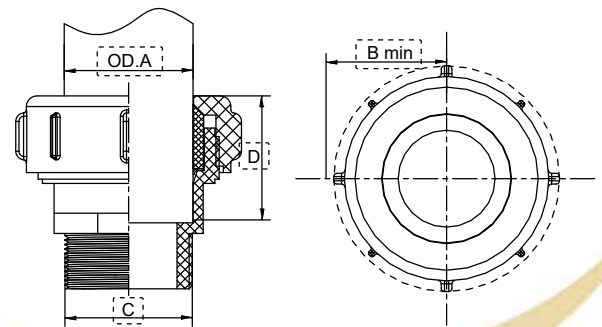
1) Insert the Quick-connect Fitting into the pump's discharge outlet and tighten.



2) Insert PVC pipe into the Quick-Connect Fitting as far as possible.



3) Hand-tighten the Quick-Connect Fitting around the PVC pipe.  
Done! Lower the pump into the basin.



## Specifications

Model No.	Thread (C)	Pipe (OD.A)	Pipe Insertion Depth (D)	Pump Outlet Distance (B min)	Body Material	Maximum Working Temperature	Maximum Pressure
<b>AQC150K</b>	1-1/2" NPT	1.91"	2.35"	1.75"	Reinforced thermoplastic	140°F	20 psi
<b>AQC200K</b>	2" NPT	2.38"	2.35"	2.25"	Reinforced thermoplastic	140°F	20 psi