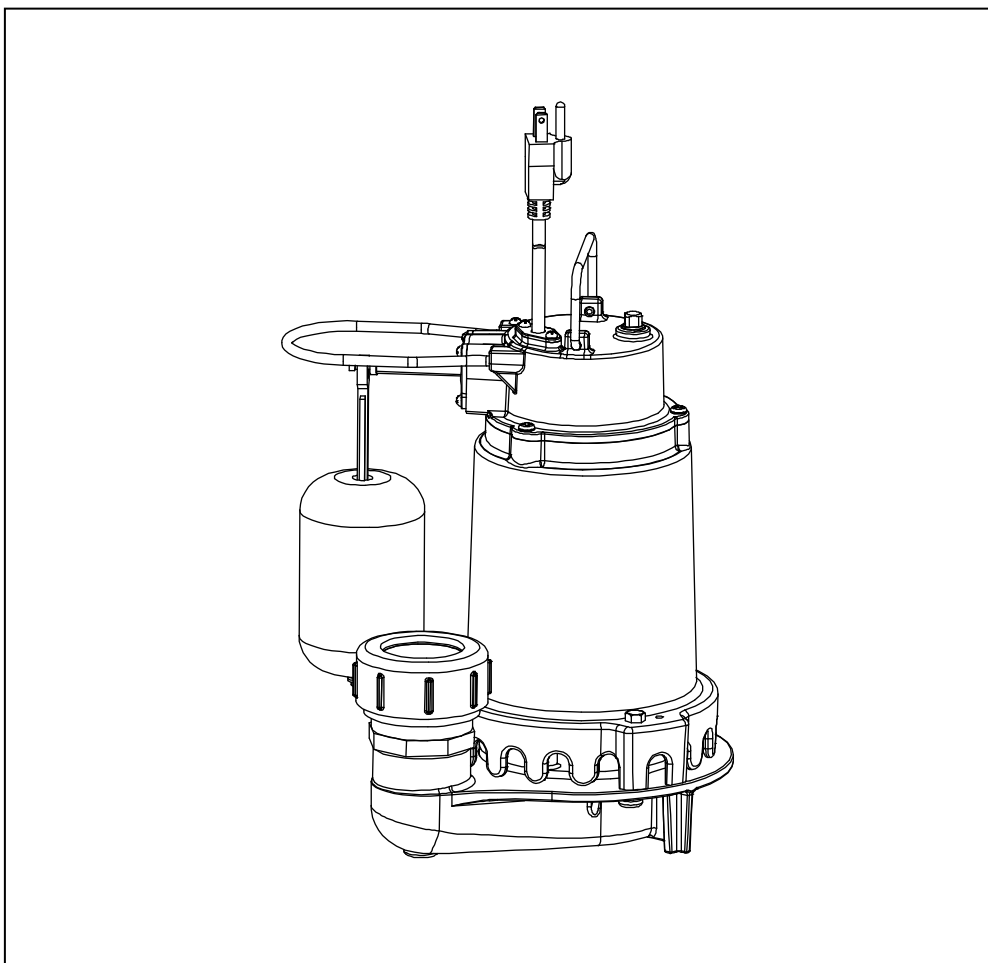




Model: SPI03302K
SPI05002K
SPI07502K
SPI10002K

OWNER'S MANUAL

SUMP PUMP WITH SNAP ACTION SWITCH



Questions, problems, missing parts? Before returning to the store call
K2 Customer Service 8 a.m. - 6 p.m., EST, Monday-Friday
1-844-242-2475
www.K2pumps.com

PERFORMANCE

Model	HP	GPH of Water @ Total Feet Of Lift						Max. Lift
		0 ft.	5 ft.	10 ft.	15 ft.	20 ft.	25 ft.	
SPI03302K	1/3	4000	3800	3200	2800	2200	1100	26
SPI05002K	1/2	4620	4330	3920	3285	2515	1320	26
SPI07502K	3/4	5200	4500	4080	3480	2820	1500	28
SPI10002K	1	5600	5220	4720	4320	3660	2520	32

SAFETY INSTRUCTIONS

1. Do not pump flammable or explosive liquids such as oil, gasoline, kerosene, ethanol, etc. Do not use in the presence of flammable or explosive vapors. Using this pump with or near flammable liquids can cause an explosion or fire, resulting in property damage, serious personal injury, and/or death.
2. ALWAYS disconnect the power to the pump before servicing.
3. Do not touch the motor housing during operation. The motor is designed to operate at high temperatures. Do not disassemble the motor housing.
4. Do not handle the pump or pump motor with wet hands or when standing on a wet or damp surface, or in water before disconnect the power.
5. Release all pressure and drain all water from the system before servicing any component.
6. Secure the discharge line before starting the pump. An unsecured discharge line will whip, possibly causing personal injury, and/or property damage.
7. Extension cords may not deliver sufficient voltage to the pump motor. Extension cords present a life threatening safety hazard if the insulation becomes damaged or the connection ends fall into water. The use of an extension cord to power this pump is not permitted.
8. Wear safety goggles at all times when working with pumps.
9. This unit is designed only for use on 115 volts (single phase), 60 Hz, and is equipped with an approved 3-conductor cord and 3-prong grounded plug. Do not remove the ground pin under any circumstances. The 3-prong plug must be directly inserted into a properly installed and grounded 3-prong, grounding-type receptacle. Do not use this pump with a 2-prong wall outlet. Replace the 2-prong outlet with a properly grounded 3-prong receptacle (a GFCI outlet) installed in accordance with the National Electrical Code and local codes and ordinances. All wiring should be performed by a qualified electrician.
10. Protect the electrical cord from sharp objects, hot surfaces, oil, and chemicals. Avoid kinking the cord. Do not use damaged or worn cords.
11. Failure to comply with the instruction and designed operation of this unit may void the warranty. ATTEMPTING TO USE A DAMAGED PUMP can result in property damage, serious personal injury, and/or death.
12. Ensure that the electrical circuit to the pump is protected by a 15 Amp fuse or circuit breaker.
13. Do not lift the pump by the power cord.
14. Know the pump and its applications, limitations, and potential hazards.
15. Secure the pump to a solid base. This will aid in keeping the pump in a vertical orientation. This is critical in keeping the pump operating at maximum efficiency. It will also help prevent the pump from clogging resulting in premature failure.
16. Periodically inspect the pump and system components to ensure the pump suction screen is free of mud, sand, and debris. Disconnect the pump from the power supply before inspecting.

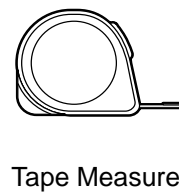
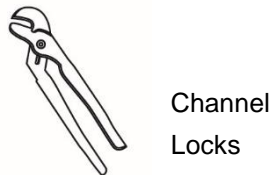
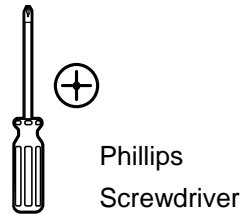
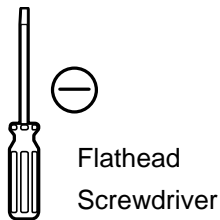
17. Follow all local electrical and safety codes, along with the National Electrical Code (NEC). In addition, all Occupational Safety and Health Administration (OSHA) guidelines must be followed.
18. The motor of this pump has a thermal protector that will trip if the motor becomes too hot. The protector will reset itself once the motor cools down and an acceptable temperature has been reached. The pump may start unexpectedly if it is plugged in.
19. Ensure the electrical power source is adequate for the requirements of the pump.
20. This pump is made of high-strength, corrosion-resistant materials. It will provide trouble-free service for a long time when properly installed, maintained, and used. However, inadequate electrical power to the pump, dirt, or debris may cause the pump to fail. Please carefully read the manual and follow the instructions regarding common pump problems and remedies.

PRE-INSTALLATION

APPLICATION

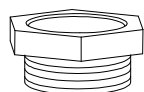
- ❑ This submersible sump pump is designed for home sump applications. Use this pump only for pumping water.
- ❑ This unit is not designed as a waterfall or fountain pump, or for applications involving salt water or brine! Use with waterfalls, fountains, salt water or brine will void warranty.
- ❑ Do not use where water recirculates.
- ❑ Not designed for use as a swimming pool drainer.

TOOLS REQUIRED



MATERIALS REQUIRED (NOT INCLUDED)

NOTE: Parts shown below not to scale.



1-1/2" or 1-1/4"
with adaptor (if
using 1-1/4"
discharge pipe)



1-1/2" ABS or
PVC Pipe



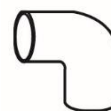
Thread Tape



1-1/2" check
valve



ABS or PVC
Cement
(to match the
pipe)



1-1/2" 90°
Elbow

SPECIFICATIONS

Power supply	115V, 60 HZ., 15 Amp Circuit
Liquid temp. range	32°F to 95°F (0°- 35°C)
Discharge size	1-1/2" or 1-1/4" with adaptor (purchased separately if using 1-1/4" discharge pipe)
Sump basin	Min. 10 in. (254 mm) diameter, 14 in. (356 mm) depth

NOTE: Do not reduce size of discharge pipe or hose below 1-1/4 in. diameter. If discharge is too small, pump will overheat and fail prematurely. This pump is designed for use in a residential sump only. Only pump water with this pump.

INSTALLATION

1. Install the sump pump in a sump pit with a minimum diameter of 10 in. (254 mm). The sump depth should be minimum 14 in. (356 mm). Construct the sump pit of tile, concrete, steel or plastic. Check the local codes for approved materials and for proper installation.
2. Install the pump in a pit so that the switch operating mechanism has maximum possible clearance.
3. The pump should not be installed on clay, earth or sand surface. Clean the sump pit of small stones and gravel which could clog the pump. Keep the pump inlet screen clear.
4. Insert rigid plastic pipe into the quick connector. Hand tighten the knurling nut of the quick connector as tight as possible.

NOTICE: Do not use ordinary pipe joint compound on plastic pipe. Pipe joint compound can attack plastics and damage the pump.

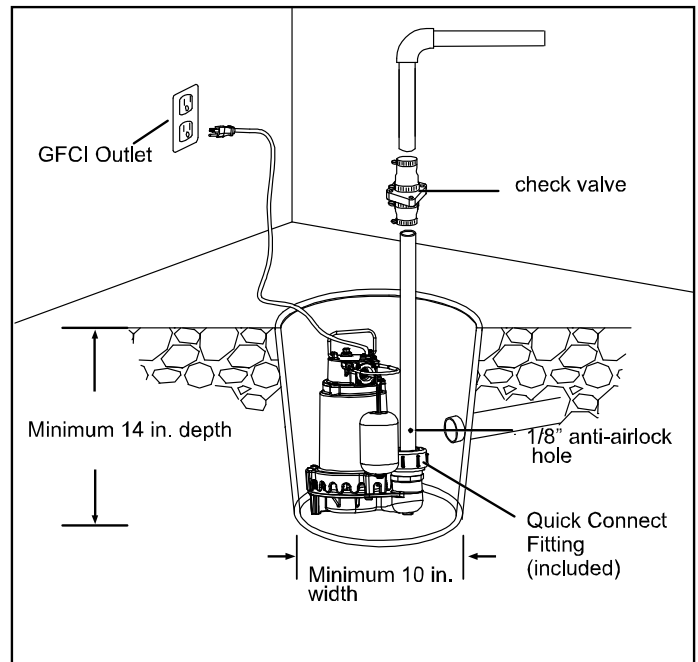
CAUTION: Risk of flooding. If a flexible discharge hose is used, make sure the pump is secure in the sump to prevent movement. Failure to secure the pump may allow pump movement, switch interference and prevent the pump from starting or stopping.

5. To reduce motor noise and vibration, a short length of rubber hose (e.g. radiator hose) can be connected into the discharge line near the pump using suitable clamps.
6. Install an in-line check valve to prevent backward flow through the pump when the pump shuts off.
NOTICE: If your check valve is not equipped with an air bleed hole to prevent air locking pump, drill a 1/8" (3.2mm) hole in discharge pipe about 1"-2" (2.5 -5.1 cm) above quick connector. The hole must be in the sump.
7. Power Supply: Pump is designed for 115V, 60Hz, operation and requires a minimum 15 amp individual branch circuit. The pump is supplied with a 3-wire cord set with grounding-type plug. Do not modify cord or plug. Plug the power into a 115V GFCI power outlet.

WARNING: Risk of electric shock. Can shock, burn or kill. Pump should always be electrically grounded to be a suitable electrical ground such as a grounded water pipe or a properly grounded metallic race way, or ground wire system. Do not cut off the round ground pin.

8. If the pump discharge line is exposed to outside subfreezing atmosphere, a portion of line exposed must be installed so any water remaining in the pipe will drain to the outfall by gravity. Failure to do this can cause water trapped in the discharge to freeze which could result in damage to the pump.
9. After the piping and check valve have been installed, the unit is ready for operation.
10. Check the pump operation by filling the sump with water and observing pump operation through one complete cycle.

CAUTION: Risk of flooding. Can cause personal injury and/or property damage. Failure to make this operational check may lead to improper operation, premature failure, and flooding.



OPERATION

WARNING: Risk of electrical shock. Can shock, burn or kill. Do not handle a pump or pump motor with wet hands or when standing on a wet or damp surface, or in water.

WARNING: Risk of fire and explosion. Can cause severe injury, property damage or death. Do not use in explosive atmospheres. Pump water only with this pump.

1. The shaft seal depends on water for lubrication. Do not operate the pump unless it is submerged in water as the seal may be damaged if allowed to run dry.
2. The motor is equipped with an automatic reset thermal protector. If temperature in the motor should rise unduly, the switch will cut off all power before damage can be done to the motor. When the motor has cooled sufficiently, the switch will reset automatically and restart the motor. If the protector trips repeatedly, the pump should be removed and checked. Low voltage, long extension cords, clogged impeller, very low head or lift, or a plugged or frozen discharge pipe, etc., could cause the protector to trip.
3. The pump will not remove all water.

WARNING: Risk of electric shock. Can shock, burn or kill. Before attempting to check why the unit has stopped operating, disconnect power from the unit.

CARE AND CLEANING

CAUTION: Always use the handle to lift pump. Never use the power cord to lift the pump. To avoid skin burns, unplug the pump and allow time for it to cool after periods of extended use.

Do

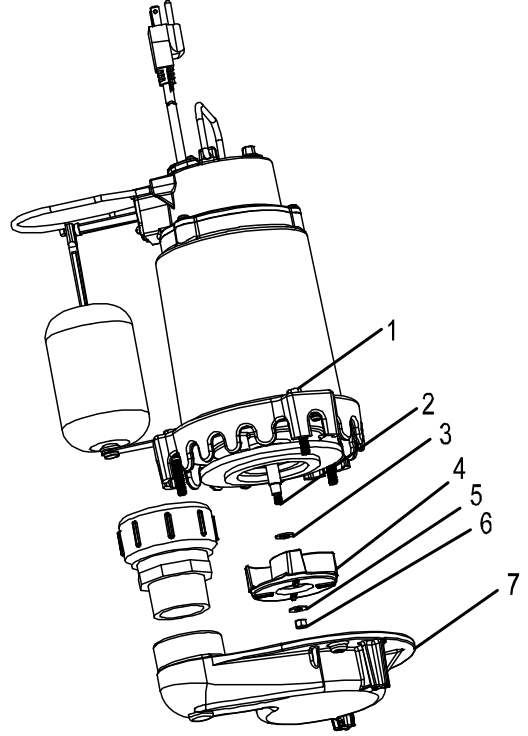
- When the power is disconnected, inspect the pump suction screen and remove all debris, then plug the pump back into the grounded (GFCI) outlet.

Do Not

- Do not disassemble the motor housing. This motor has NO repairable internal parts, and disassembly may cause leakage or dangerous electrical wiring issues.
- Do not lift up the pump by the power cord.

To clean a pump clogged with debris:

- Unplug the pump from electrical power.
- Unscrew the stainless screws (1), and remove the volute (7).
- Remove the nut (6) and gasket (5) from the shaft (2), then take off the impeller (4) from shaft (2).
- Remove debris from around the shaft (2) and the impeller (4).
- Reassemble the pump.



TROUBLESHOOTING

Problem	Possible Cause	Corrective action
Pump won't start or run.	<ol style="list-style-type: none">1. No power.2. Clogged impeller.3. Defective motor.4. Float is obstructed.	<ol style="list-style-type: none">1. Reset GFCI switch/Reset the breaker/Secure the plug/Clean the plug prongs.2. Remove the debris around the impeller.3. Replaced the pump.4. Remove the obstruction.
Pump operates but delivers little or no water.	<ol style="list-style-type: none">1. Debris is caught in impeller.2. Impeller is broken.	<ol style="list-style-type: none">1. Clean out the impeller.2. Replace the impeller.
Pump starts and stops too often	<ol style="list-style-type: none">1. Back flow of water from pipe.	<ol style="list-style-type: none">1. Install or replace the check valve.
Pump won't shut off.	<ol style="list-style-type: none">1. Defective float switch.2. Restricted discharge.3. Float obstructed.	<ol style="list-style-type: none">1. Replace the float switch.2. Remove the pump and clean the pump and piping.3. Remove the obstruction.

WARRANTY

Limited Warranty

WHAT THIS WARRANTY COVERS

When used and maintained in normal use and in accordance with the Owner's Manual, your K2 product is warranted against original defects in material and workmanship for at least one year (warranty varies depending on model; see box for specific warranty information) from the date of purchase (the "Warranty Period"). During the Warranty Period, K2 will repair or replace at no cost to you, to correct any such defect in products found upon examination by K2 to be defective in materials or workmanship.

Your dated receipt of purchase is required to make a warranty claim.

WHAT THIS WARRANTY DOES NOT COVER

This Warranty does not cover:

Use of the product in a non-residential application, improper installation and/or maintenance of the product, damage due to misuse, acts of God, nature vandalism or other acts beyond control of K2, owner's acts or omissions, use outside the country in which the product was initially purchased and resale of the product by the original owner. This warranty does not cover pick up, delivery, transportation or house calls. However, if you mail your product to a K2 Sales and Service Center for warranty service, cost of shipping will be paid one way. This warranty does not apply to products purchased outside of the United States, including its territories and possessions, outside of U.S. Military Exchange and outside of Canada. This warranty does not cover products purchased from a party that is not an authorized retailer, dealer or distributor of K2 products.

OTHER IMPORTANT TERMS

This warranty is not transferable and may not be assigned. This Warranty shall be governed and construed under laws of the state of Michigan. The Warranty Period will not be extended by any replacement or repair performed under this Warranty. THIS WARRANTY IS THE EXCLUSIVE WARRANTY AND REMEDY PROVIDED BY K2. ALL OTHER WARRANTIES, EXPRESSED OR IMPLIED, INCLUDING WARRANTIES OR MERCHANTABILITY OR FITNESS FOR PARTICULAR PURPOSE, ARE DISCLAIMED. IN NO EVENT WILL K2 BE LIABLE FOR ANY SPECIAL, INDIRECT, INCIDENTAL OR CONSEQUENTIAL DAMAGES OF ANY KIND OR NATURE TO OWNER OR ANY PARTY CLAIMING THROUGH OWNER WHETHER BASED IN CONTRACT, NEGLIGENCE, TORT, OR STRICT PRODUCTS LIABILITY OR ARISING FROM ANY CAUSE WHATSOEVER. Some states do not allow for the exclusion of consequential damages, so the above exclusion may not apply to you. This warranty gives you specific rights. You may also have others that vary from state to state.

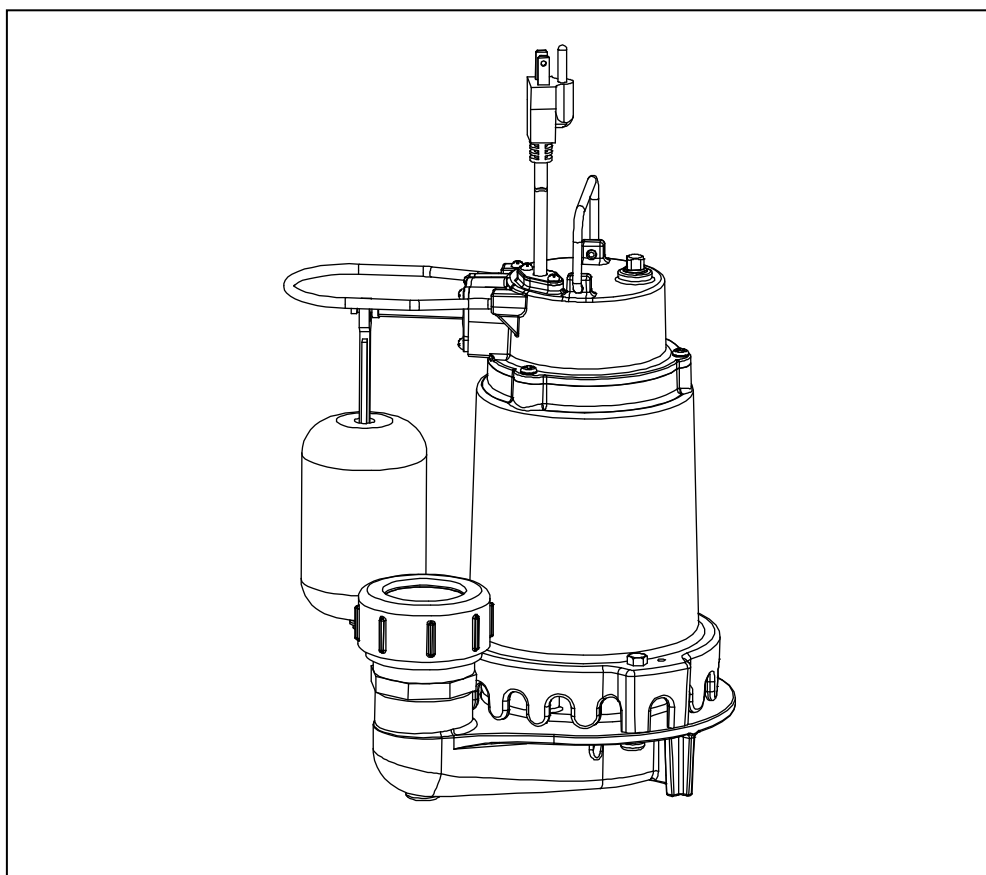
Thank you for choosing a K2 product!



Modèle: SPI03302K
SPI05002K
SPI07502K
SPI10002K

NOTICE D'UTILISATION

POMPE D'ÉVACUATION AVEC INTERRUPTEUR À ACTION RAPIDE



Questions, problèmes, pièces manquantes ? Avant de retourner au magasin,
appelezle Service à la clientèle K2 du lundi au vendredi, de 8 h à 18 h, heure

normale de l'Est

1-844-242-2475

www.K2pumps.com

RENDEMENT

Modèle	CV	LPH d'eau @ Total de levage en pieds						Levée max.
		0 pi	5 pi	10 pi	15 pi	20 pi	25 pi	
SPI03302K	1/3	4000	3800	3200	2800	2200	1100	26
SPI05002K	1/2	4620	4330	3920	3285	2515	1320	26
SPI07502K	3/4	5200	4500	4080	3480	2820	1500	28
SPI10002K	1	5600	5220	4720	4320	3660	2520	32

INFORMATION DE SÉCURITÉ

1. Ne pas pomper de liquides explosifs ou inflammables tels que de l'huile, de l'essence, du kérosène, de l'éthanol, etc. Ne pas utiliser en présence de vapeurs inflammables ou explosives. Le fait d'utiliser cette pompe avec ou à proximité de liquides inflammables est susceptible de provoquer une explosion ou un incendie, d'où un risque d'accident corporel et/ou de décès.
2. TOUJOURS débrancher l'alimentation de la pompe avant toute intervention.
3. Ne pas toucher le boîtier d'un moteur en marche. Le moteur est conçu pour fonctionner à des températures élevées. De plus, ne pas démonter le boîtier du moteur.
4. Ne pas manipuler la pompe ni le moteur de la pompe avec des mains humides ou en se tenant dans l'eau ou sur une surface humide ou moite.
5. Relâcher toute la pression et vidanger toute l'eau du système avant d'intervenir sur l'un des composants.
6. Fixer le tuyau de déversement avant de mettre la pompe en marche. Un tuyau de déversement mal fixé peut fouetter, ce qui entraîne un risque de blessures corporelles et/ou de dommages matériels.
7. Il est possible que les rallonges n'apportent pas une alimentation suffisante jusqu'au moteur de la pompe. Les câbles d'extension constituent un risque potentiellement mortel si l'isolation s'avère endommagée ou si.
8. Porter des lunettes de protection lors de tous travaux avec des pompes.
9. La pompe est conçue pour du 115 V (monophasés) et 60 Hz. Elle est fournie avec un câble à 3 fils métalliques agréé et avec une prise à la masse pour une sortie à la masse à 3 broches. **NE JAMAIS RETIRER, EN AUCUNES CIRCONSTANCES, LE CONTACT À LA MASSE.** La fiche à 3 broches doit être insérée directement dans un réceptacle de type mise à la masse à 3 fiches à la masse et correctement installé. Ne pas utiliser cette pompe avec une prise murale à 2 broches. Remplacer la prise à 2 broches par un réceptacle à 3 broches correctement mis à la masse (prise agréée avec disjoncteur différentiel) installé en conformité avec l'ensemble de la réglementation locale en matière électrique.
10. Protéger le cordon électrique des objets tranchants, des surfaces chaudes, des huiles et des produits chimiques. Éviter d'entortiller le cordon. Ne pas utiliser de cordons endommagés ou usés.
11. Tout manquement à respecter cette notice et l'utilisation prévue de cette unité est susceptible d'invalider la garantie. Toute tentative pour utiliser une pompe endommagée risque d'entraîner un dommage matériel, un accident corporel grave, et/ou un risque de décès.
12. Vérifier que le circuit électrique de la pompe est protégé par un coupe-circuit ou par un fusible de 15 A.
13. Ne soulevez pas la pompe par le cordon d'alimentation.
14. Connaître les applications, limitations et dangers éventuels de la pompe.
15. Fixer la pompe sur une base solide. Cette précaution contribue à maintenir la pompe en position verticale, Cette précaution est essentielle pour maintenir le fonctionnement de la pompe à un niveau d'efficacité optimal. Cette démarche contribue également à éviter un engorgement de la pompe susceptible d'entraîner une panne prématurée.

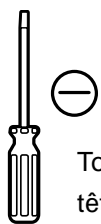
16. Inspecter périodiquement la pompe et les composants du système afin de vérifier que les amenées de la pompe sont dépourvues de boue, de sable et de débris. avant de procéder à une inspection, débrancher la pompe de l'alimentation électrique..
17. Respecter l'ensemble de la réglementation électrique et de sécurité locale, ainsi que le Code national de l'électricité. Il est en outre impératif de respecter l'ensemble des directives de l'administration américaine en charge de l'hygiène et de la sécurité du travail (Occupational Safety and Health Administration, OSHA).
18. Le moteur de cette pompe est muni d'un protecteur thermique qui s'arrête si le moteur surchauffe. Le protecteur se réinitialise automatiquement une fois que le moteur refroidit et qu'une température acceptable est atteinte. La pompe peut démarrer de manière inattendue si l'appareil est branché.
19. Vérifier que l'alimentation électrique correspond bien aux spécifications de la pompe.
20. Cette pompe est composée de matériaux anticorrosion hautement résistants. Correctement installée, entretenue et utilisée, elle offre un fonctionnement sans failles sur une longue durée. Cependant, une alimentation électrique inadéquate de la pompe, la présence de salissures ou de débris peuvent provoquer une panne de la pompe. Lire attentivement le manuel et suivre les instructions relatives aux problèmes courants liés à cette pompe, ainsi que les mesures à prendre pour y remédier.

AVANT L'INSTALLATION

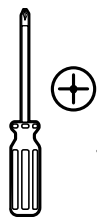
UTILISATION

- Cette pompe de puisard submersible est conçue pour usage résidentiel. Utiliser cette pompe uniquement pour pomper de l'eau.
- Cette pompe n'est pas conçue pour être utilisée en tant que pompe de fontaine ou de chute d'eau ni dans des eau salées ou de saumure! Son utilisation avec une chute d'eau, une fontaine, de l'eau salée ou de saumure annulera la garantie.
- Ne pas utiliser où de l'eau recircule.
- Cette pompe n'est pas conçue pour vider les piscines.

OUTILS REQUIS



Tournevis à tête



Tournevis Phillips



D'une pince multiprise



Clé à tube



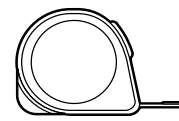
Cie à métaux



De brides de verrouillage



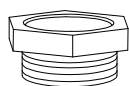
Lunettes de sécurité



Ruban à mesurer

MATÉRIAUX REQUIS (NON INCLUS)

NOTE: L'adaptateur ci-dessous n'est pas représenté à l'échelle.



Adaptateur de 1-1/2 po à 1-1/4 po (en cas d'utilisation d'un tuyau d'évacuation de 1-1/4 po)



Tuyau en ABS ou PVC de 1-1/2 po



Ruban de filetage



Clapet de non-retour de 1-1/2 po



Ciment pour ABS ou PVC (pour correspondre au tuyau)



Coude à 90° de 1-1/2 po

CARACTÉRISTIQUES

Alimentation électrique	Circuit de 115V, 60 HZ., 15 ampères
Plage de températures du liquide	De 32°F à 95° F (de 0° C à 35° C)
Taille de l'entrée de la pompe	Adaptateur de 1-1/2 po à 1-1/4 po (acheté séparément en cas d'utilisation d'un tuyau d'évacuation de 1-1/4 po)
Puisard	Min. 10. (254 mm) de diamètre, 14 à. (356 mm) de profondeur

NOTE: S'assurer que le diamètre du tuyau de refoulement est d'au moins 3,2 cm. Si le refoulement est trop petit, il y aura surchauffement et panne prématurée de la pompe. Cette pompe est conçue pour être utilisée dans un puisard résidentiel. Ne pomper que de l'eau avec cette pompe.

INSTALLATION

1. installer la pompe dans un puisard ayant un diamètre minimum de 25,4 cm (10 pouces). Le puisard ayant un diamètre minimum de 35,6 cm (14 pouces) . Le puisard peut être construit avec un tuyau en ciment, du béton, en acier ou du plastique. Consulter les codes municipaux pour connaître le matériau approuvé et pour procéder adéquatement à l'installation.
2. Installer la pompe dans le puisard de façon que le mécanisme actionnant l'interrupteur puisse avant le plus grand dégagement possible.
3. Il ne faut pas poser la pompe sur une surface en argile, en terre ou sablonneuse. Enlever les petites pierres et le gravier du puisard qui risqueraient de boucher la pompe. La crépine d'admission d'eau de la pompe doit toujours être dégagée
4. Insérez un tuyau en plastique rigide dans le connecteur rapide. Serrez à la main l'écrou de moletage du connecteur rapide aussi serré que possible.

NOTE: Ne pas utiliser de pâte à joint pour tuyau ordinaire sur un tuyau en plastique. La pâte à joints pour tuyaux peut dégrader les plastiques et endommager la pompe.

ATTENTION: Risque d'inondation. Si l'on utilise un tuyau de refoulement souple, s'assurer que la pompe est bien immobilisée dans le puisard pour empêcher qu'elle se déplace. Si la pompe n'est pas bien immobilisée, elle risque de se déplacer, l'interrupteur risque de se coincer et d'empêcher la pompe de démarrer ou de s'arrêter.

5. Pour minimiser le bruit du moteur et les vibrations, un petit morceau de tuyau en caoutchouc (de 4,76cm [1-7/8 po] de dia. int., une durite de radiateur, par exemple) peut être posé sur la conduite de refoulement à l'aide de colliers, près de la pompe.
6. Poser le clapet antiretour en ligne pour empêcher l'eau de retomber dans la pompe lorsqu'elle est arrêtée..

NOTE: Si le clapet de non-retour ne comporte pas un trou de purge d'air pour empêcher les bouchons d'air dans la pompe, Percez un trou de 3,2 mm (1/8 ") dans le tuyau de décharge à environ 2,5 - 5,1 cm (1 "-2") au-dessus du connecteur rapide.

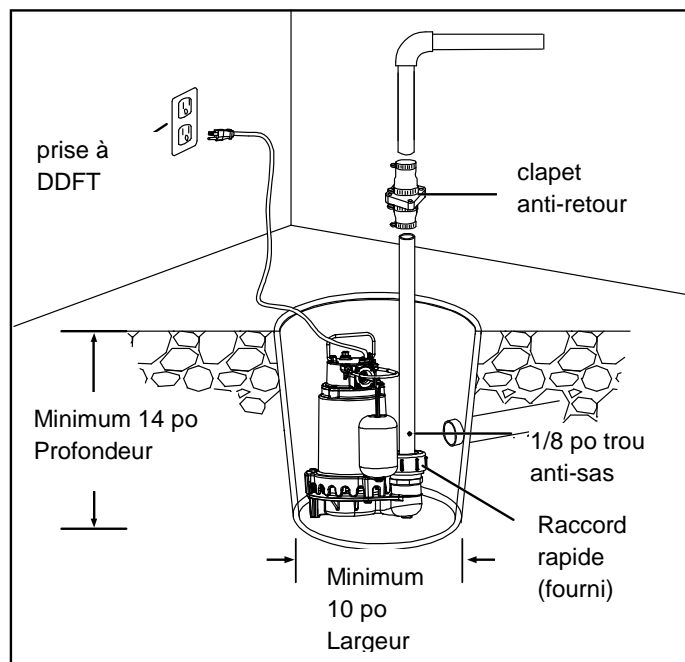
7. Courant électrique: La pompe est conçue pour fonctionner sur le courant électrique de 115 V, 60 Hz, et elle doit être branchée sur un circuit de dérivation individuel d'au moins 15 ampères. La pompe est livrée avec un cordon électrique à 3 conducteurs muni d'une fiche mise à la terre. Ne modifiez pas le cordon ou la fiche. Brancher la fiche d'alimentation dans une prise de courant 115V DDFT.

AVERTISSEMENT: Risque de secousses électriques. Pouvant causer des brûlures, voire la mort. La pompe doit toujours être raccordée à la terre, sur un tuyau d'eau mis à la terre, une canalisation métallique adéquatement mise à la terre ou un circuit électrique adéquatement mis à la terre, par exemple. Ne jamais couper la broche ronde de mise à la terre de la fiche.

8. Si la conduite de refoulement de la pompe est exposée aux températures de congélation extérieures, la partie exposée doit être installée de façon que l'eau restant dans le tuyau puisse se vidanger en retombant par gravité. Si l'on ne respecte pas cette recommandation, l'eau emprisonnée dans la conduite de refoulement risque de geler et la pompe risquerait d'être endommagée.

9. Après avoir installé la tuyauterie, le clapet antiretour et l'interrupteur à flotteur, la pompe est prête à fonctionner.

10. Vérifier le fonctionnement de la pompe en remplissant le puisard d'eau, puis observer le fonctionnement de la pompe sur un cycle complet.



AVERTISSEMENT: Risque d'inondation. Peut causer le mauvais fonctionnement ou une panne prématurée de la pompe. Ne pas procéder à cette vérification de fonctionnement risque de causer un mauvais fonctionnement, une panne prématurée, voire une inondation

OPÉRATION

AVERTISSEMENT: Risque de secousses électriques. Pouvant causer des brûlures, voire la mort. Ne pas toucher à la pompe ni au moteur de la pompe lorsqu'on a les mains humides ou lorsqu'on se tient debout sur une surface mouillée, humide ou dans l'eau.

AVERTISSEMENT : Risque d'incendie et d'explosion. Peut provoquer des blessures graves, des dommages matériels ou la mort. Ne pas utiliser dans des atmosphères explosives. Pompez uniquement de l'eau avec cette pompe.

1. Le joint de l'arbre dépend de l'eau pour son graissage. Ne pas utiliser la pompe si elle n'est pas immergée dans l'eau, sinon son joint sera endommagé si la pompe fonctionne à sec.
2. Le moteur est équipé d'un protecteur thermique à réarmement automatique. Si la température devait s'élever anormalement, le disjoncteur interrompra automatiquement l'arrivée de courant avant que le moteur soit endommagé. Lorsque le moteur aura suffisamment refroidi, le disjoncteur se réarmera automatiquement et le moteur redémarrera. Si le protecteur se déclenche constamment, sortir la pompe du puisard et en déterminer la cause. Une basse tension, des cordons prolongateurs trop longs, un impulseur bouché, une hauteur de refoulement très basse ou un tuyau de refoulement bouché ou gelé, etc. risquent de causer un fonctionnement intermittent.

3.La pompe n'aspirera pas toute l'eau.

AVERTISSEMENT: Risque de secousses électriques. Pouvant causer des brûlures, voire la mort. Avant de vérifier pourquoi cette pompe a cessé de fonctionner, interrompre le courant parvenant à la pompe.

ENTRETIEN

MISE EN GARDE: Toujours utiliser la poignée pour soulever la pompe. Ne jamais utiliser le cordon d'alimentation pour la soulever. Pour éviter les brûlures de la peau, débrancher la pompe et la laisser refroidir après une longue période d'utilisation..

À faire

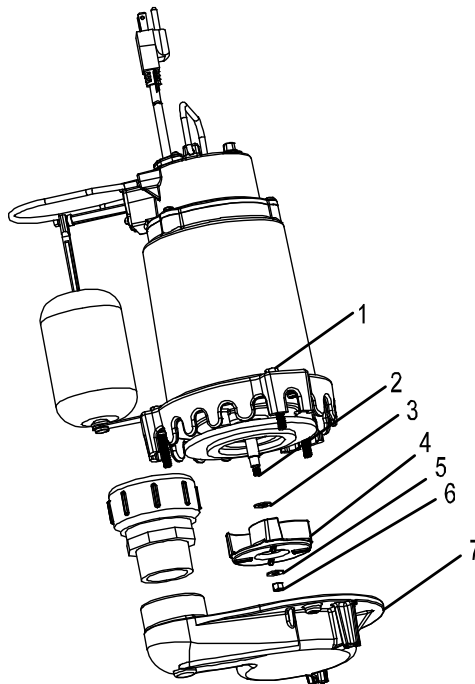
- Lorsque le courant est coupé, vérifier la grille d'aspiration de la pompe et débarrasser tous les débris. Rebrancher la pompe dans une prise équipée d'un disjoncteur avec fuite à la terre. (DDFT).

À ne pas faire

- Ne pas démonter le boîtier du moteur. Les pièces internes du moteur ne sont pas réparables. Le démontage peut entraîner des fuites ou des problèmes dangereux relatifs aux raccordements électriques.
- Ne pas utiliser le cordon d'alimentation pour soulever la pompe.

To clean a pump clogged with debris:

- Débrancher la pompe de la source électrique..
- Dévisser les vis en inox (1), retirer la volute (7).
- Retirez l'écrou (6) et le joint (5) de l'arbre (2), puis retirez la roue (4) de l'arbre (2).
- Retirer les débris autour de l'arbre et (2) sur / sous l'impulseur(4).
- Assembler la pompe de nouveau.



Diagnostic Des Pannes

Problèmes	Cause possibles	Mesures correctives à prendre
La pompe ne démarre pas et ne fonctionne pas.	<ol style="list-style-type: none">1. Pas de courant.2. Agitateur3. Moteur défectueux.4. Flotteur obstrué.	<ol style="list-style-type: none">1. Réinitialiser l'interrupteur DDFT / Réinitialiser le disjoncteur / Fixer la fiche / Nettoyer les broches de la fiche.2. Retirez les débris autour de la roue.3. Remplacer la pompe4. Retirer l'obstruction.
La pompe fonctionne, mais ne pompe que peu ou pas d'eau	<ol style="list-style-type: none">1. Il y a des débris dans l'impulseur2. L'interrupteur à flotteur vertical est défectueux.	<ol style="list-style-type: none">1. Nettoyez la roue.2. Remplacer l'interrupteur à flotteur
La pompe démarre et s'arrête trop souvent	<ol style="list-style-type: none">1. Il y a un refoulement d'eau dans le conduit.	<ol style="list-style-type: none">1. Poser un clapet de non-retour ou remplacer le clapet de non- retour.
Pump won't shut off.	<ol style="list-style-type: none">1. Interrupteur à flotteur défectueux.2. Décharge restreinte.3. Le flotteur de l'interrupteur à flotteur vertical est obstrué.	<ol style="list-style-type: none">1. Remplacer l'interrupteur à flotteur2. Retirer la pompe; nettoyer la pompe et sa tuyauterie.3. Retirer l'obstruction.

GARANTIE

Garantie Limitée

CE QUE CETTE GARANTIE COUVRE

Lorsqu'il est utilisé et maintenu en utilisation normale et en conformité avec le manuel du propriétaire, votre produit K2 est garanti contre les défauts de matériaux et de fabrication pendant au moins un an (la garantie varie selon le modèle; voir encadré des informations précises sur la garantie) à partir de la date d'achat (la «Période de garantie»). Pendant la période de garantie, K2 réparera ou remplacera gratuitement votre produit, pour corriger tout défaut de produit, défaut de matériaux ou de fabrication, constaté après examen par K2.

Votre reçu d'achat daté est requis pour faire une réclamation au titre de la garantie.

CE QUE CETTE GARANTIE NE COUVRE PAS

Cette garantie ne couvre pas:

L'utilisation du produit pour une application non-résidentielle, une mauvaise installation et / ou entretien du produit, les dommages dus à une mauvaise utilisation, les actes de Dieu, les dégâts imputés à la nature ou d'autres actes qui échappent au contrôle d'K2, les actes ou omissions du propriétaire, l'utilisation à l'extérieur du pays où le produit a été initialement acheté et la revente du produit par le propriétaire initial. Cette garantie ne couvre pas la collecte, la livraison, le transport ou les déplacements chez les particuliers. Toutefois, si vous envoyez votre produit à un centre de service après-vente et des garanties K2, le coût de l'expédition (aller simple) sera remboursé. Cette garantie ne couvre pas les

produits achetés en dehors des États-Unis, y compris ses territoires et possessions, en dehors des États-Unis la bourse d'échange militaire et à l'extérieur du Canada. Cette garantie ne couvre pas les produits achetés chez un tiers qui n'est pas détaillant, revendeur ou distributeur agréé des produits K2

AUTRES TERMES IMPORTANTS

Cette garantie est non transférable et ne peut être cédée. Cette garantie doit être régie et interprétée en vertu des lois de l'État du Michigan. La période de garantie ne sera pas prolongée par un remplacement ou une réparation effectuée(e) en vertu de cette garantie. CETTE GARANTIE EST LA GARANTIE EXCLUSIVE ET LE RECOURS FOURNIS PAR K2. TOUTE AUTRE GARANTIE, EXPLICITE OU IMPLICITE, Y COMPRIS LES GARANTIES DE COMMERCIALISATION OU D'ADAPTATION À UN USAGE PARTICULIER, SONT EXCLUES. EN AUCUN CAS K2 NE SERA RESPONSABLE DES DOMMAGES PARTICULIERS, INDIRECTS, ACCESSOIRES OU INDIRECTS DE QUELQUE NATURE QUE CE SOIT AU PROPRIÉTAIRE OU TOUTE PARTIE DEMANDERESSE PAR L'INTERMÉDIAIRE DU PROPRIÉTAIRE RELATIF À UN CONTRAT, UNE NÉGLIGENCE, UNE ACTION DELICTUELLE, OU UNE STRICT RESPONSABILITE VIS-À-VIS DU PRODUIT, OU PROVENANT DE TOUTE AUTRE CAUSE. Certains états ne permettent pas l'exclusion des dommages indirects et conséquemment l'exclusion ci-dessus peut ne pas vous concerner. Cette garantie vous donne des droits spécifiques. Vous pouvez également en avoir d'autres qui varient d'un état à l'autre.

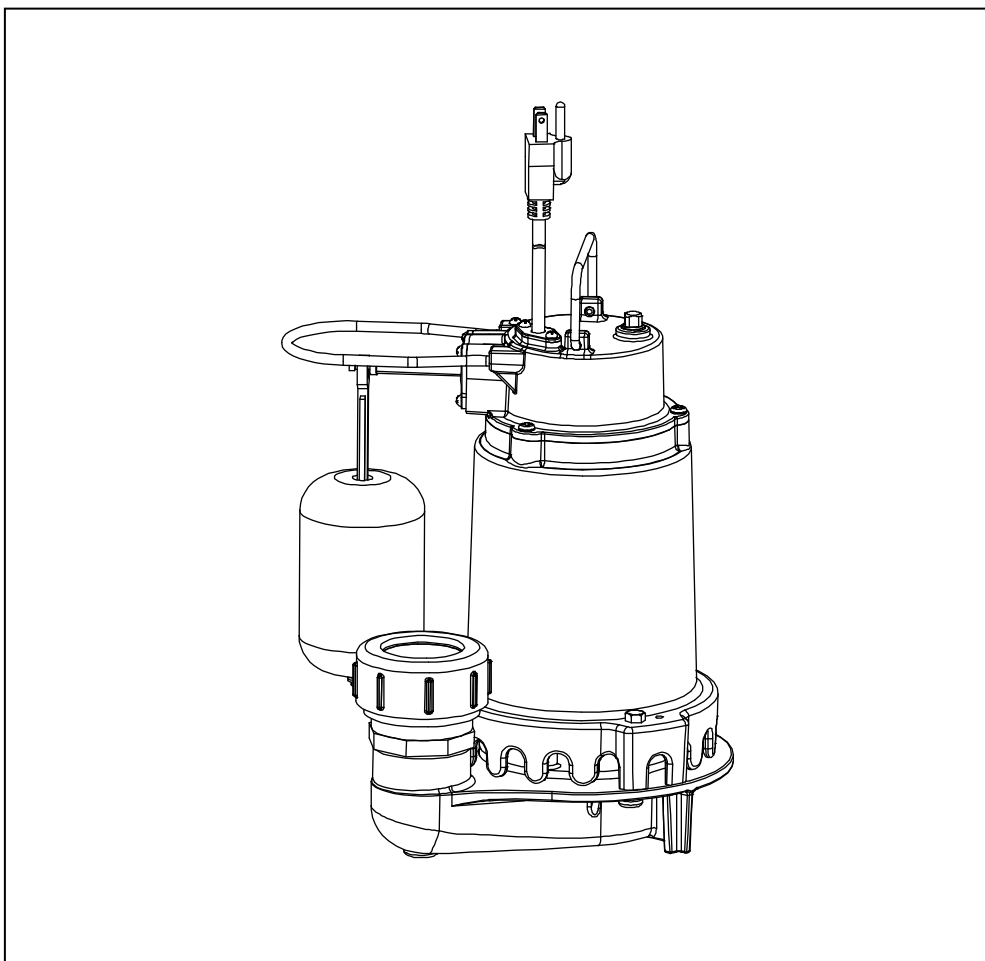
Merci d'avoir choisi un produit K2!



Modelo: SPI03302K
SPI05002K
SPI07502K
SPI10002K

MANUAL DEL USUARIO

BOMBA DE ACHIQUE CON CIERRE AUTOMÁTICO



¿Preguntas, problemas, piezas que faltan? Antes de devolverla a la tienda, llame a Servicio al Cliente de 8:00 AM a 6:00 pm EST de Lunes a Viernes.

1-844-242-2475

www.K2pumps.com

RENDIMIENTO

Modelo	HP	GPH (Galones por hora) de Agua @ Pies de Altura						Alzamiento Máximo
		0 pi	5 pi	10 pi	15 pi	20 pi	25 pi	
SPI03302K	1/3	4000	3800	3200	2800	2200	1100	26
SPI05002K	1/2	4620	4330	3920	3285	2515	1320	26
SPI07502K	3/4	5200	4500	4080	3480	2820	1500	28
SPI10002K	1	5600	5220	4720	4320	3660	2520	32

INSTRUCCIONES DE SEGURIDAD

1. No bombee líquidos inflamables o explosivos como aceite, gasolina, queroseno, etc. No lo use cerca o en presencia de vapores inflamables o explosivos. El uso de este producto cerca o con líquidos inflamables puede causar una explosión o un incendio causando daños a su propiedad, lesiones personales, y/o muerte.
2. SIEMPRE desconecte la bomba antes de hacerle mantenimiento.
3. No toque el motor mientras esté funcionando. Este product está diseñado para funcionar a altas temperaturas. No desmonte motor ni el protector del motor.
4. No use la bomba o el motor de la bomba con las manos mojadas, o cuando esté de pie sobre la superficie mojada o húmeda, o en agua.
5. Descargue toda presión y desagüe toda el agua del sistema antes del mantenimiento de cualquier componente.
6. Asegure el cable de descarga antes de empezar hacer funcionar la bomba. Un cable suelto o no asegurado puede arrebatare causando daños personales o daños a la propiedad.
7. Los cables de extensión no ofrecen suficiente voltaje al motor de la bomba. Los cables de extensión pueden presentar un peligro para la seguridad si el material de aislamiento se daña o si las puntas de conexión caen el agua. El uso de un cable extensión no está con esta bomba NO está permitida.
8. Use gafas de seguridad en todo momento que use la bomba.
9. Esta unidad está diseñada de un uso de 115 voltios (una sola fase), 60 Hz, y está equipada con un cable de 3 conductores y un enchufe de conexión de tierra (3 clavijas). **NO QUITE EL ALFILER BAJO NINGUNA CIRCUNSTANCIA.** El enchufe de conexión de tierra tiene que estar directamente y correctamente instalado en un receptáculo de conexión de tierra (3 clavijas). No use esta bomba en un receptáculo de 2 clavijas. Reemplacé el receptáculo de 2 clavijas con un receptáculo apropiado de 3 clavijas con conexión a tierra (GFCI) de acuerdo al Código Eléctrico Nacional y las ordenanzas locales. Todas las conexiones deben ser hechas por un electricista profesional.
10. Proteja el cable eléctrico de objetos afilados, superficies calientes, aceite, y químicos. Evite enroscar los cables. No use cables dañados o desgastados.
11. El no cumplir con las instrucciones de la operación de esta unidad puede anular la garantía. **EL INTENTO DE USAR UNA BOMBA DAÑADA** puede resultar en daños a la propiedad, serios daños personales y/o muerte.
12. Asegúrese de que el circuito eléctrico a la bomba este protegido por un fusible de 15 amperios o un cortacircuitos.
13. No levante la bomba por el cable eléctrico.
14. Conozca de la bomba las aplicaciones, las limitaciones y los peligros potenciales.
15. Asegúrese de que la bomba esté en una base sólida para mantenerla vertical por encima de barro y tierra durante el funcionamiento para maximizar la eficiencia de la bomba y prevenir que se tape o una falla prematura.
16. Periódicamente inspeccione la bomba y los componentes del sistema para asegurar que las entradas estén libres de barro, arena y mugre. **DESCONECTE DEL ENCHUFE LA BOMBA ANTES DE INSPECCIONARLA.**

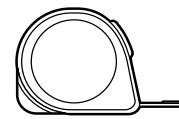
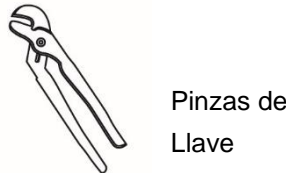
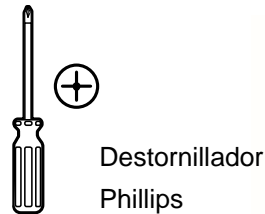
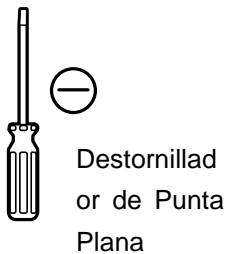
17. Siga sus códigos de seguridad eléctrica local, especialmente los del Código Eléctrico Nacional (NEC) y en el lugar de trabajo. El Acta de Seguridad y Salud Ocupacional. (OSHA).
18. El motor de la bomba tiene un protector térmico automático de reajuste que se apaga si la bomba se recalienta. Una vez que el protector térmico detecte que la bomba ha bajado de temperatura permitirá que la bomba funcione normalmente. Si la bomba está conectada puede empezar a funcionar inesperadamente.
19. Asegure que la fuente de electricidad es adecuada para los requisitos que exige la bomba.
20. Esta bomba está hecha de materiales de alta fuerza y resistentes a la corrosión. Cuando ha sido correctamente instalada no tendrá problemas de mantenimiento o de uso por mucho tiempo. Sin embargo, una conexión inadecuada de la bomba mugre o suciedad puede causar que la bomba falle. Lea cuidadosamente las instrucciones y sígalas con respecto a problemas y soluciones más comunes de la bomba.

PRE-MONTAJE

APLICACIÓN

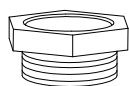
- Esta bomba de tanque sumergible fue diseñada para uso en cavidades del hogar. Utilice esta bomba únicamente para bombear agua.
- Esta unidad no fue diseñada para fuentes o cascadas, ni tampoco para aplicaciones que requieran salmuera o agua salina! El uso con cascadas, fuentes, salmuera o agua salina anulará la garantía.
- No use donde el agua recircula.
- No fue diseñada para usarse como drenaje de piscina.

HERRAMIENTAS NECESARIAS



MATERIALES NECESARIOS (NO INCLUIDOS)

NOTA: Manguera y equipo de manguera no están mostrados a escala.



Adaptador de 1-1/2 pulg a 1-1/4 pulg (si utiliza una tubería de descarga de 1-1/4 pulg)



Tubería de ABS o PVC de 1-1/2 pulg



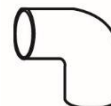
Cinta Sellante



Válvula de Retención de 1-1/2 pulg



Cemento de ABS o PVC (Que concuerde con la tubería)



Tubo de Codo de 90° de 1-1/2 pulg

SPECIFICATIONS

Fuente de Alimentación	115 Volteos, 60 HZ., 15 Ampos de Mínimo Circuito
Alcance de Temperatura de Líquidos	32°F a 95°F (0°- 35°C)
Tamaño del Desagüe	Adaptador de 1-1/2" a 1-1/4" se compra por separado (si utiliza una tubería de descarga de 1-1/4")
Deposito del Pozo	Mínimo 10 pulgadas (254 mm) de diámetro, 14 pulgadas (356 mm) de profundidad para interruptor vertical.

NOTA: No reduzca el tamaño del tubo o manguera del desagüe a menos de 1 ¼ pulgadas de diámetro. Si el canal de desagüe es muy pequeño, la bomba se sobrecalentará y fallará prematuramente. Esta bomba fue diseñada únicamente para uso en pozos o cavidades residenciales. Solamente bombee agua con esta bomba.

INSTALACIÓN

1. Instale la bomba en la fosa o pozo con un diámetro mínimo de 10 pulgadas (254 mm) La profundidad del pozo o fosa tiene que ser de 14 pulgadas (356 mm). Construya la fosa o pozo para la bomba de azulejo, cemento, acero o plástico. Verifique con los códigos locales para asegurarse cuales son los materiales aprobados y para la instalación apropiada.
2. Instale la bomba en la fosa o pozo a manera que el interruptor de encendido quede libre de estorbos.
3. La bomba no debe de ser instalada en arcilla, tierra o superficies arenosas. Remueva de la fosa o pozo cualquier pedrería pequeña o grava que pudiera atascar la bomba. Mantenga limpio el protector de entrada de la bomba.
4. Inserte la tubería de plástico rígido en el conector rápido. Ajuste manualmente la tuerca estriada del conector rápido lo más apretado posible.

NOTA: No use compuesto común para sellar tuberías en las tuberías de plástico, ya que puede corroer el plástico y dañar la bomba.

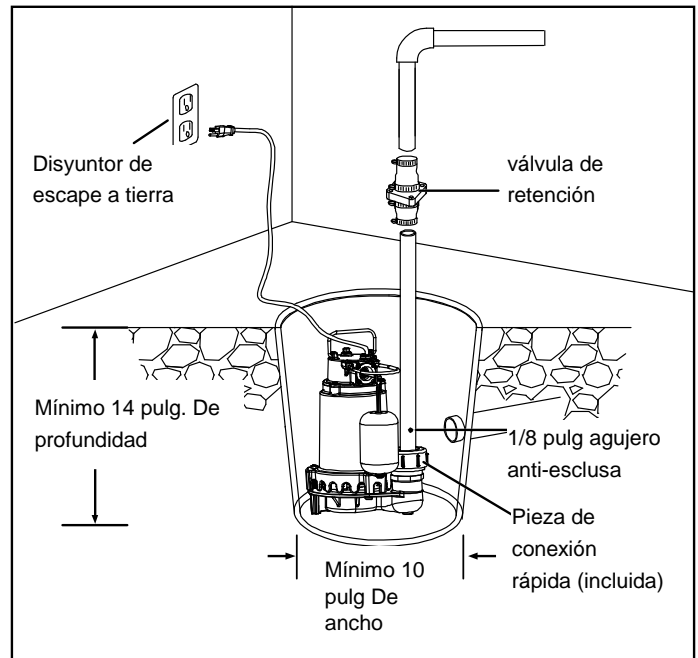
PRECAUCIÓN: Existe el riesgo de inundación. Si usted usa una manguera de desagüe flexible, asegúrese que la bomba este afianzada en la fosa o pozo para prevenir cualquier movimiento. Si usted no asegura la bomba, ésta se podría mover, interferencia del interruptor y podría prevenir el encendido o el apagado de la bomba.

5. Para reducir el ruido y las vibraciones del motor, puede conectar una manguera de goma de (por ejemplo una manguera de radiador) en la línea del desagüe que está cerca de la bomba sujetando con abrazaderas apropiadas.
6. Instale una válvula de retención en la línea en la bomba para prevenir el flujo de regreso a la bomba cuando la bomba se apague.

NOTA: Si su válvula de retención no está equipada con un orificio de salida de aire para prevenir que el aire quede atrapado, Perfore un orificio de 1/8" (3,2 mm) en una tubería de descarga de aproximadamente 1"-2" (2,5-5,1 cm) sobre el conector rápido.

7. Fuente de Poder: La bomba está diseñada para 115V, 60Hz, su operación requiere un circuito individual de mínimo de 15 ampos. La bomba viene provista de un juego de cordón trifilar con ficha con un hilo a tierra. No modifique el cable ni el enchufe. Conecte el cable de alimentación a una toma de alimentación GFCI de 115 V. **ADVERTENCIA: Existe el riesgo de descarga eléctrica.** Podría dar toques, quemar o matar. La bomba tiene siempre que hacer tierra eléctricamente a un puesto de tierra como a una tubería de tierra o a una canaleta metálica de tierra o sistema de cableado de tierra. No corte la clavija redonda de tierra
8. Si la línea de desagüe de la bomba está expuesta a la atmosfera bajo cero, una porción de línea expuesta tiene que ser instalada para que cualquier agua restante en el tubo se drene por medio de gravedad. Si usted no hace esto puede causar que el agua que quede atrapada en el desagüe se congele, lo que puede resultar en el daño de la bomba.
9. Después que la tubería y la válvula de retención hayan sido instaladas, la unidad estará lista para operar.
10. Verifique la operación de la bomba llenando la fosa o pozo de agua y observe la operación de la bomba por todo un ciclo completo.

PRECAUCIÓN: Existe el riesgo de inundación. Puede causar daños a la persona y/o daños a la propiedad. La falta de esta verificación operacional puede conducir a la operación indebida, malfuncionamiento prematuro e inundación.



FUNCIONAMIENTO

ADVERTENCIA: Existe el riesgo de descarga eléctrica. Podría dar toques, quemar o matar. No maneje la bomba o el motor de la bomba con las manos mojadas o cuando se encuentre de pie en una superficie mojada o húmeda o en agua.

ADVERTENCIA: Riesgo de incendio y explosión. Puede provocar lesiones graves, daños materiales o la muerte. No debe usarse en atmósferas explosivas. Bombeo agua únicamente con esta bomba.

1. El sello del eje depende de lubricación de agua. No opere la bomba a menos que esté sumergida en agua, de otra manera, el sello se puede dañar si se opera la bomba en seco.
2. El motor está equipado con un protector termal del interruptor de inicio. Si la temperatura incrementa excesivamente, el interruptor cortara toda la corriente eléctrica antes de que produzca daños al motor. Cuando el motor se haya enfriado lo suficiente, el interruptor dará inicio automáticamente y encenderá de nuevo el motor. Si el protector se desliza repetidamente, la bomba deberá ser removida para inspección. Voltaje corto, cordones de extensión largos, impulsor con obstrucciones, bajo estímulo o una manguera de desagüe conectada o congelada, etc., pueden causar que el protector se deslice.
3. La bomba no removerá toda el agua.

ADVERTENCIA: Existe el riesgo de descarga eléctrica. Podría dar toques, quemar o matar. Antes de intentar averiguar porque la unidad ha dejado de operar, desconecte la unidad de la electricidad.

CUIDADO Y LIMPIEZA

PRECAUCIÓN: Siempre utilice el mango para levantar la bomba. Nunca use el cable de conexión para levantar la bomba. Para prevenir quemaduras en la piel, desenchufe la bomba y dele tiempo a que se enfríe después de periodos extensos de uso.

Hacer

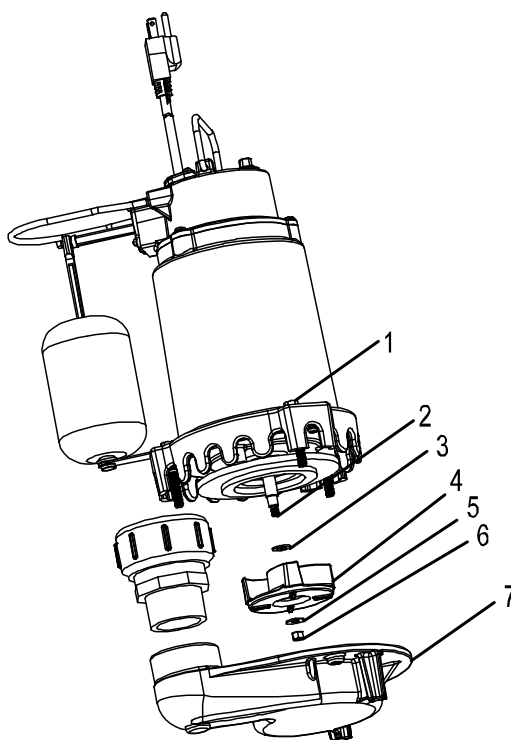
- Cuando la bomba esté desenchufada, inspeccione la cobertura de succión y remueva todos los desechos. Después vuelva a enchufar la bomba a una toma de corriente de circuito de falla a tierra GFCI (por sus siglas en inglés).

No Hacer

- No desarme el motor. Este motor NO contiene partes internas que sean reparables y el desmontarlo podría causar fugas o problemas con el cableado eléctrico de peligro.
- No levante la bomba utilizando el cable de conexión.

Como limpiar una bomba bloqueada por desechos:

- Desenchufe la bomba de la corriente eléctrica.
- Desatornille los tornillos de acero inoxidable (1), y remueva la placa de la voluta en espiral (7).
- Quite la tuerca (6) y la junta (5) del eje (2), luego quite el impulsor (4) del eje (2).
- Remueva los desechos que se encuentren alrededor del eje (2) y alrededor o debajo del impulsor (4).
- Vuelva a montar la bomba.



RESOLUCIÓN DE PROBLEMAS

Problema	Causas Probables	Acción Correctiva
La bomba no prende o no comienza	<ol style="list-style-type: none"> 1. Sin alimentación. 2. Impulsor 3. Motor defectuoso. 4. Flotador obstruido 	<ol style="list-style-type: none"> 1. Reinicie el interruptor GFCI/reinicie el disyuntor/asegure el enchufe/limpie las clavijas del enchufe. 2. Quite los residuos que haya alrededor del impulsor. 3. Reemplace la bomba. 4. Elimine la obstrucción.
La bomba funciona pero no desaloja agua o desaloja muy poca agua	<ol style="list-style-type: none"> 1. Hay desechos atrapados en el impulsor. 2. El interruptor de flotador está defectuoso 	<ol style="list-style-type: none"> 1. Limpie el impulsor. 2. Reemplace el interruptor
La bomba comienza y se para muy seguido	<ol style="list-style-type: none"> 1. Hay reflujos de agua de la tubería. 	<ol style="list-style-type: none"> 1. Instale una válvula de retención o reemplace la válvula de retención.
La bomba no se apaga.	<ol style="list-style-type: none"> 1. Interruptor de flotador defectuoso. 2. Descarga limitada. 3. El flotador tiene una obstrucción. 	<ol style="list-style-type: none"> 1. Reemplace el interruptor. 2. Quite la bomba y limpie la bomba y la tubería 3. Remueva la obstrucción.

Garantía

Garantía Limitada

LO QUE CUBRE ESTA GARANTÍA

Cuando se usa y se mantiene de forma normal y de acuerdo con el manual del propietario, su producto K2 está garantizado contra defectos de materiales y de mano de obra durante al menos un año (la garantía varía según el modelo; revise la caja para obtener información específica sobre la garantía) a partir de la fecha de comprar (el "Período de Garantía"). Durante el Período de Garantía, K2 reparará o reemplazará sin costo alguno para usted, para corregir cualquier defecto de materiales o de mano de obra encontrado en los productos al ser examinados por K2.

Se requiere el recibo de compra fechado para hacer un reclamo de garantía.

LO QUE NO CUBRE ESTA GARANTÍA

Esta garantía no cubre:

El uso del producto en un ambiente no residencial, instalación incorrecta y/o mantenimiento incorrecto del producto, daño a causa del uso indebido, actos sobrenaturales, actos de la naturaleza, vandalismo u otros actos fuera del control de K2, acciones u omisiones del propietario, el uso fuera del país en el que el producto fue comprado inicialmente y la reventa del producto por el propietario inicial. Esta garantía no cubre el recogido, el envío, la transportación o las reparaciones en casa. Sin embargo, si usted manda su producto por correo al departamento de ventas y servicios de

K2 para servicios que cubre la garantía, el costo del envío será pagado únicamente de ida. Esta garantía no se aplica a productos comprados fuera de los Estados Unidos, incluyendo sus territorios y posesiones, fuera del Intercambio Militar de los Estados

Unidos y fuera de Canadá. Esta garantía no cubre productos comprados por distribuidor, comerciante o concesionario no autorizado por K2.

OTROS TÉRMINOS IMPORTANTES

Esta garantía no es transferible ni podrá ser asignada. Esta garantía será gobernada e interpretada bajo las leyes del estado de Michigan. El Periodo de Garantía no será extendido por ningún reemplazo ni reparación realizado bajo esta garantía. ESTA GARANTÍA ES LA GARANTÍA Y RECURSO PROVISTO POR K2. TODAS LAS DEMÁS GARANTÍAS, EXPLÍCITAS O IMPLÍCITAS, INCLUYENDO GARANTÍAS O COMERCIALIZACIÓN O QUE SEA ACOPLADA PARA ALGÚN PROPOSITO EN PARTICULAR, SON DENEGADAS. EN NINGÚN CASO K2 SERÁ RESPONSABLE POR CUALQUIER DAÑO ESPECIAL, INDIRECTO, INCIDENTAL O CONSECUENTE DE CUALQUIER TIPO O ÍNDOLE AL PROPIETARIO O CUALQUIER INDIVIDUO HACIENDO LA RECLAMACION POR EL PROPIETARIO YA SEA BASADO EN CONTRATO, NEGLIGENCIA, AGRAVIO O ESTRICTA RESPONSABILIDAD DEL PRODUCTO O QUE SE DERIVE DE ALGUN OTRO TIPO DE CAUSA. Algunos estados no permiten la exclusión de daños consecuentes. Así que la exclusión antes mencionada podría no ser aplicable a usted. Esta garantía le ofrece derechos específicos. Usted también podría tener otros que varíen de estado a estado.

¡Gracias por elegir un producto K2!